



BATTERY HOLDER ASSEMBLY UPDATE FOR 'BRAIN GAME (MK112)' MINIKIT

Some of the brain game (MK112) minikits come with a new battery holder that does not match the instructions in the manual. To assemble the new battery holder, follow these simple steps:



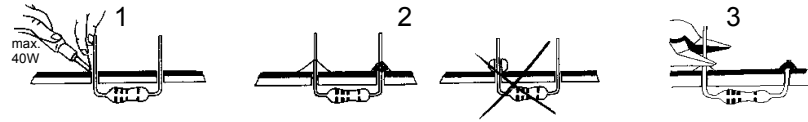
1. Solder a piece of wire (+/- 10 cm.) to the "+" pole lip of the battery holder.

2. Mount the battery holder.

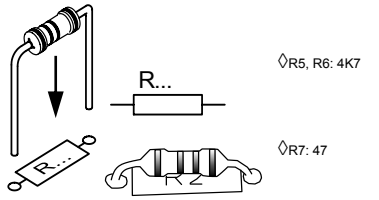
3. Solder the wire from the "+" pole of the battery holder to the "+" on the PCB.

4. Solder a piece of (jumper) wire connecting the "-" pole of the battery holder with the "-" pole on the PCB.





START **1** Resistor - Weerstand - Résistance - Widerstand - Resistencia - Motstand - Vastus - Resistenze

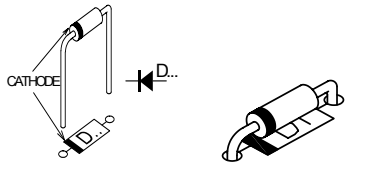


◇R1... R4: 470 (Yellow, Purple, Brown) -(Geel, Paars, Bruin) -(Jaune, Violet, Brun) -(Gelb, Violet, Braun) -(Gul, Lila, Bruin) -(Keltainen, Purppura, Ruskea) -(Amarillo, Morado, Marrón) -(Amarelo, Violeta, Castanho) -(Giallo, Viola, Marrone)

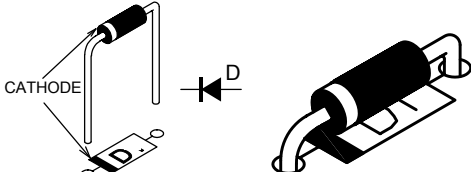
◇R5, R6: 4K7 (Yellow, Purple, Red) -(Geel, Paars, Rood) -(Jaune, Violet, Rouge) -(Gelb, Violet, Rot) -(Gul, Lila, Röd) -(Keltainen, Purppura, Punainen) -(Amarillo, Morado, Rojo) -(Amarelo, Violeta, Encarnado) -(Giallo, Viola, Rosso)

◇R7: 47 (Yellow, Purple, Black) -(Geel, Paars, Zwart) -(Jaune, Violet, Noir) -(Gelb, Violet, Schwarz) -(Gul, Lila, Svart) -(Keltainen, Purppura, Musta) -(Amarillo, Morado, Negro) -(Amarelo, Violeta, Preto) -(Giallo, Viola, Nero)

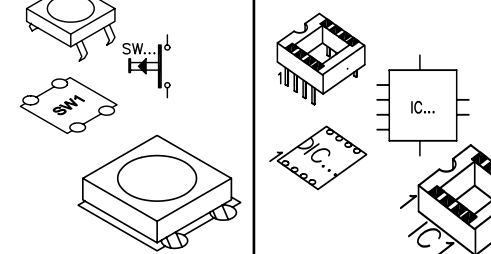
2 DIODE ◇D1: BAT85 Watch the polarity! Att. la polarité!



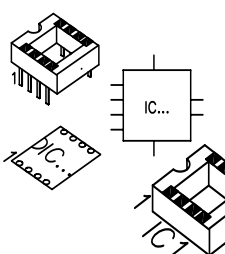
3 DIODE ◇D2: 1N4007 Watch the polarity! Att. la polarité!



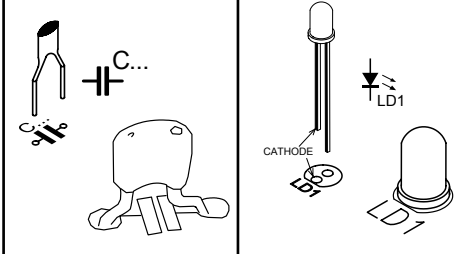
4 ◇SW1...SW4



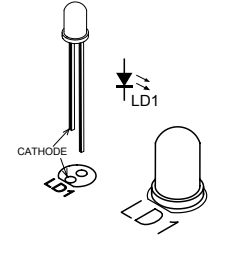
5 IC Socket - IC voet - Support de CI - IC Fuß - Soporto del CI - IC Sockel - Mikropiiranta - IC sokkel - Zoccolo IC



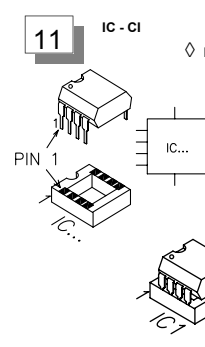
6 Capacitor ◇C1: 1µF (105)



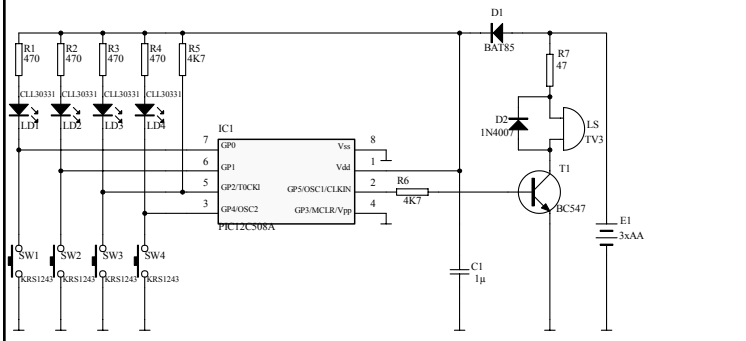
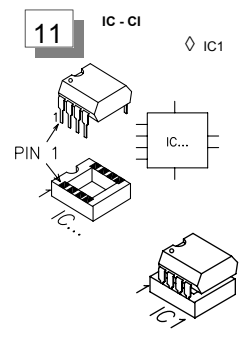
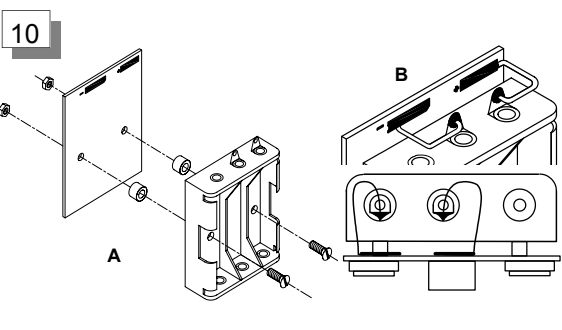
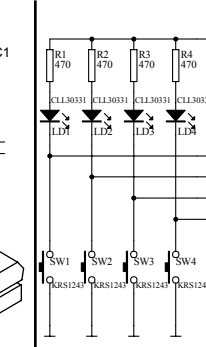
7 LED ◇LD1... LD4: 3mm



8 Transistor ◇T1: BC547



9 LS ◇LS1: TV3



START:

SELECT:

1

2

LEVEL 1

LEVEL 2= 10

LEVEL 3= 15

LEVEL4

5

20