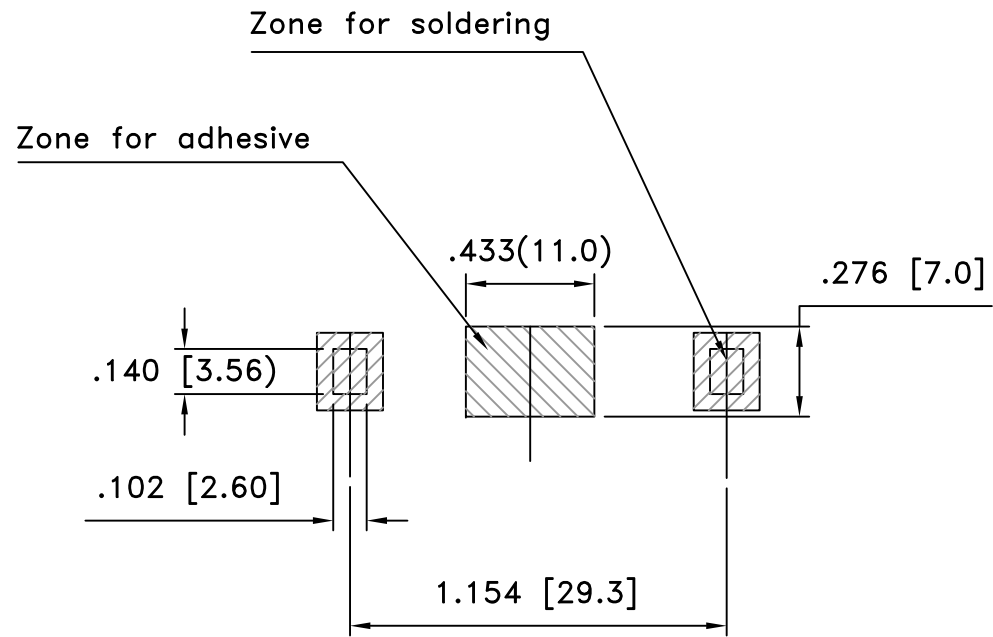


SPECIFICATIONS:


- * Holder material-30% glass-filled nylon 66, UL94 HB
- * Contacts-sus 301, nickel-plated overall with gold flash
- * Temperature range- -40°C to +225°C.
- * Vibration test 10 ~ 50 10 Hz swept in 60 seconds
X,Y,Z direction 1 hour each direction
Result: No dislodgement of the cell or damage
No discontinuity over 10 micro-seconds.
- * Soldering per JSTD020C Table 4.1
- * Drop Test:
Mounted on board and dropped 5 times from 1m high to concrete floor
Result: NO dislodgement of the cell, No damage to the holders
- * Shock Test: Half sine wave acceleration 150G. 6 micro-seconds.
X,Y,Z direction 3 times each direction
Result: No dislodgement of cell
No damage to the holder.
- * Temperature resistance test: 80°C 168 hours with battery on
Result: Contact resistance- below 100m ohms
Insulation resistance-over 100m ohms.
- * Temperature shock test: -30°C ↔ 80°C 1hours 100cycles
Contact resistance- below 100m ohms
Insulation resistance-over 100m ohms
Voltage resistance- No damage.
- * ROHS COMPLIANT

Date	SYM	REVISION RECORD	AUTH	DR.	CK.
11/05/05	A	ADDED "ROHS COMPLIANT"	T.B.	B.S.	
2/11/06	B	ADDED PATENT NUMBER	T.B.	B.S.	
2/17/07	C	DIMENSION .140 WAS .138	T.B.	B.S.	
4/26/08	D	ADDED SOLDERING SPEC.	T.B.	B.S.	
6/27/08	E	MATERIAL WAS UL94V-0	T.B.	B.S.	
4/02/10	F	ADDED MARKINGS	T.B.	B.S.	



PCB SPACING

PATENT NO. 5,922,489

Tolerance (Except as noted)	 Memory Protection Devices, Inc 200 Broad Hollow Road, Farmingdale, New York 11735	Scale	Drawn By T.S.
decimal ±.5 (.020)		2=1	Approved By T.B.
Fractional ± .8 (.030)	Title COIN CELL HOLDER		
Angular ± 3°	Date 4/02/10	Drawing Number BA2032SM	