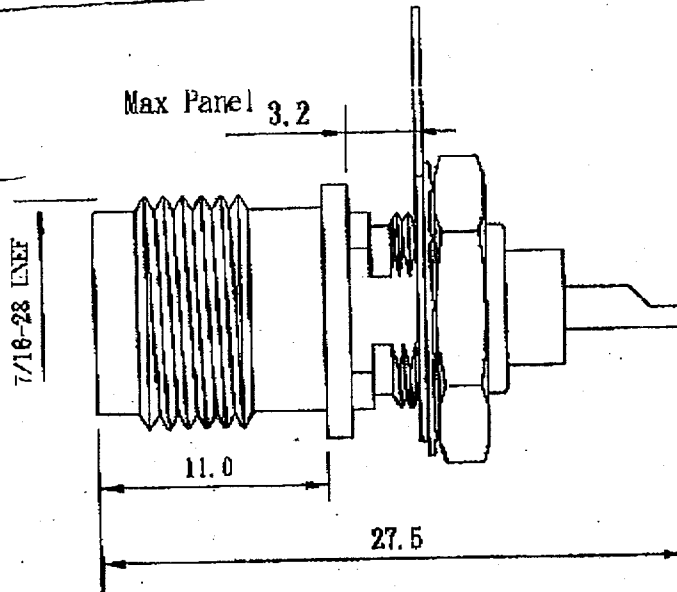


AN: BKL ELECTRONIC

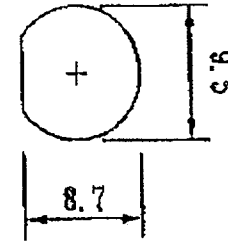
Z. HR: MR. BROCKSEPER

0405057

(T246CU-XN/ST50)



Mounting Holes



Impedance	50Ω
Frequency range	0 to 4GHz
Voltage rating	500 volts peak
Dielectric withstanding voltage	1500 volts rms
VSWR	M39012 straight connectors: 1.3 max 0-4GHz M39012 right angle: 1.95 max 0-4GHz
Other (MIL-C-39012 Cable Connectors)	Contact resistance: center contact 1.5 milliohms outer contact 0.2 milliohms Insertion loss: 0.2dB max at 3 GHz Insulation resistance: 200 megohms/min

TNC JACK SOLDER BULKHEAD

NO	Description	Material	Finish
6	Lug	Brass	Nickel
5	Nut	Zinc	Nickel
4	Lock Washer	SK5	Nickel
3	Insulator	Delrin	White
2	Contact	PH/Bronze	Gold
1	Body	Brass	Nickel

Dimensions Are In Millimeters
Unless Otherwise Specified

Tolerances

0.5-6	= ± 0.2
6-30	= ± 0.4
30-120	= ± 0.6
120-315	= ± 1.0
315-1000	= ± 1.6
1000-2000	= ± 2.4