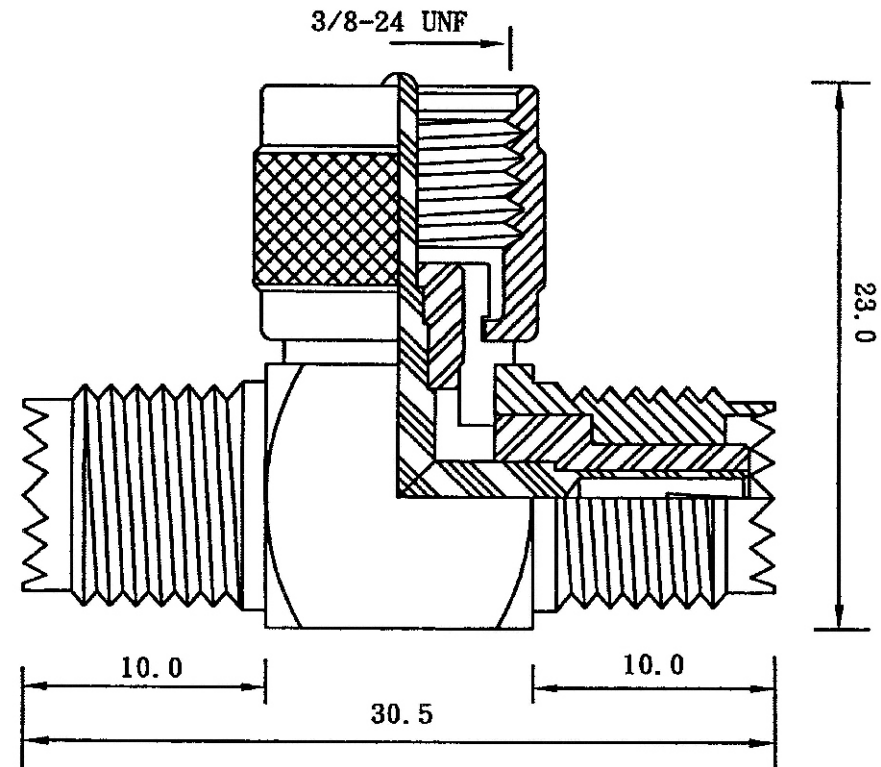


Impedance	50 Ω
Frequency range	0 to 4GHz
Voltage rating	500 volts peak
Dielectric withstanding voltage	1500 volts rms
VSWR	1.25 max. 0-2.5GHz
Insulation resistance	5,000 MΩ min

NOTE: FINISH (PLATING THICKNESS IN MICRO-INCHES)

1. BRASS PER JIS-C3604
2. CONNECTOR INTERFACE PER MIL-STD-348A
3. PART TO BE CLEAN AND FREE BURRS
4. NICKEL PL 70 μ" THICK OVER COPPER STRIKE
5. GOLD PL 1-3 μ" OVER NICKEL PL 70 μ" THICK OVER COPPER STRIKE

No	Description	Material	Finish
4	Shell	Brass	Nickel
3	Insulator	Delrin	White
2	Contact	Brass	Gold
1	Body	Brass	Nickel



Artikelnummer Artikeltext

730760

Adapter, Mini-UHF-T-Stück, 1 x Mini-UHF-Stecker, 2 x Mini-UHF-Kupplung

BKL - ELECTRONIC Kreimendahl GmbH ~ Märkenstück 14 ~ 58509 Lüdenscheid

Telefon +49(0)2351/3621-0 ~ Telefax +49(0)02351/3621-29 ~ E-Mail: info@bkl-electronic.de ~ www.bkl-electronic.de