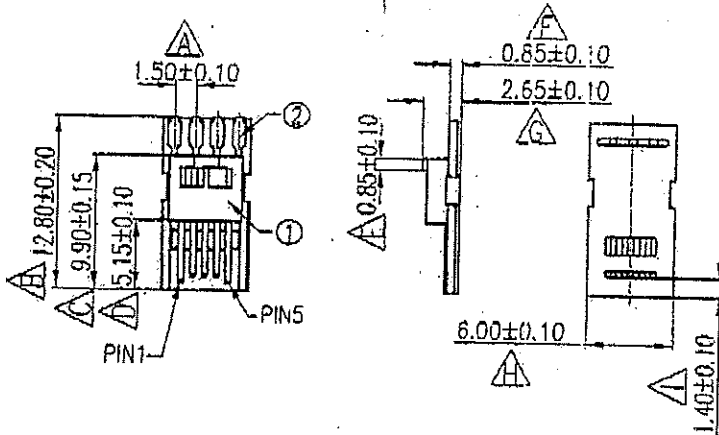


# MINI USB B TYPE 5 PIN MALE CONNECTOR CABLE ASSEMBLY TYPE

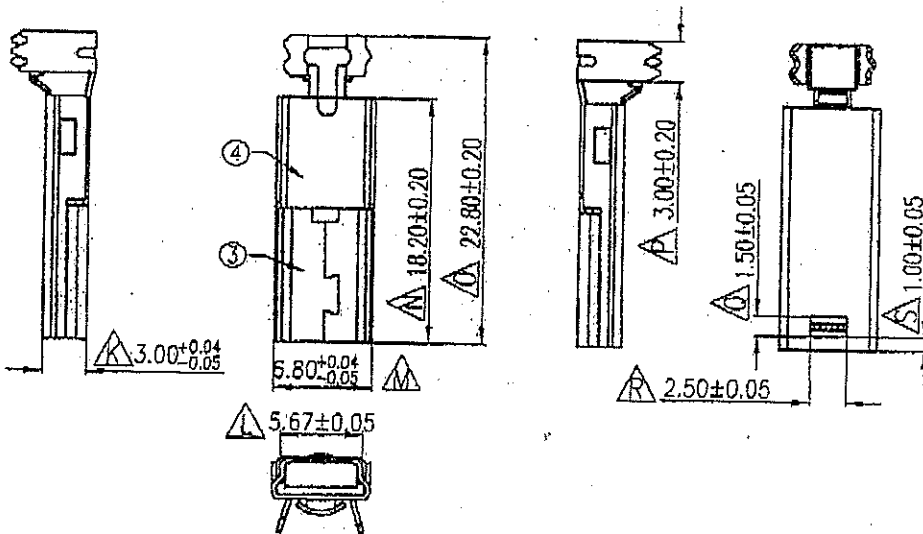


## SPECIFICATIONS

- Current Rating: 1.0 Amp
- Contact Resistance: 25 Milliohm Max.
- Insulation Resistance: 1000 Megohm Min. At 500V
- Dielectric Withstanding: 1000V At 1 Minute
- Operating Temperature: -55°C to +105°C
- Mating Cycles: 3000 Cycles Min.

## MATERIALS

- Insulator: THERMOPLASTIC, UL94V-0 RATED
- Contact: Brass
- Shell: Brass, Steel
- Contact Plating: Selective Gold Over Nickel Plated
- Shell Plating: Tin Or Nickel Over Copper Plated
- All materials must be RoHS compliant.



## ORDERING INFORMATION:

P/N U M 0 3 - 0 5 M B X X  
 1 2 3 4

1. NO. OF CONTACTS:  
05
2. CONNECTOR TYPE:  
"M" MALE
3. INSULATOR COLOR:  
"B" BLACK
4. CONTACT FINISH:  
"15" 15 MICROINCH GOLD  
"30" 30 MICROINCH GOLD