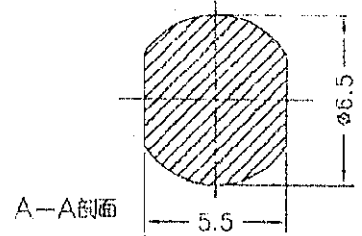
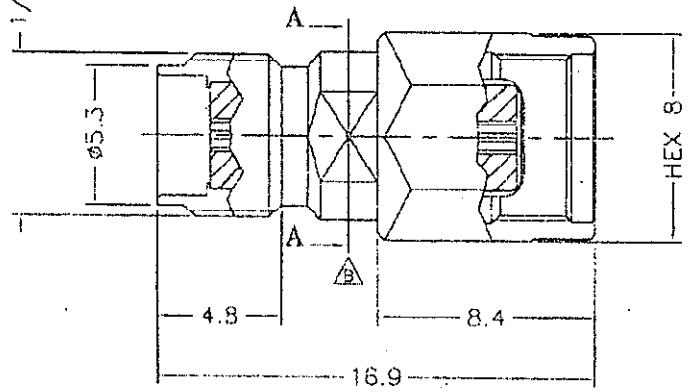


1/4"-36UNEI



BKL-Electronic
Kreimendahl GmbH
 Märkenstück 12-14
58509 Lüdenscheid
 Tel. (023 51) 36 21-0
 Fax (023 51) 36 21-29

6	CENTER PIN	BRASS	1	GOLD
5	GASKET	S.L.RUBBER	1	
4	INNER RETAINING RING	SK5	1	NICKEL
3	SHELL	BRASS	1	GOLD
2	INSULATOR	TEFLON	2	
1	BODY	BRASS	1	GOLD
NO	DESCRIPTION	MATERIAL	Q'TY	FINISH

S11 FORWARD REFLECTION

CHW1

TRANSMISSION/REFLECTION

LOG MAGNITUDE

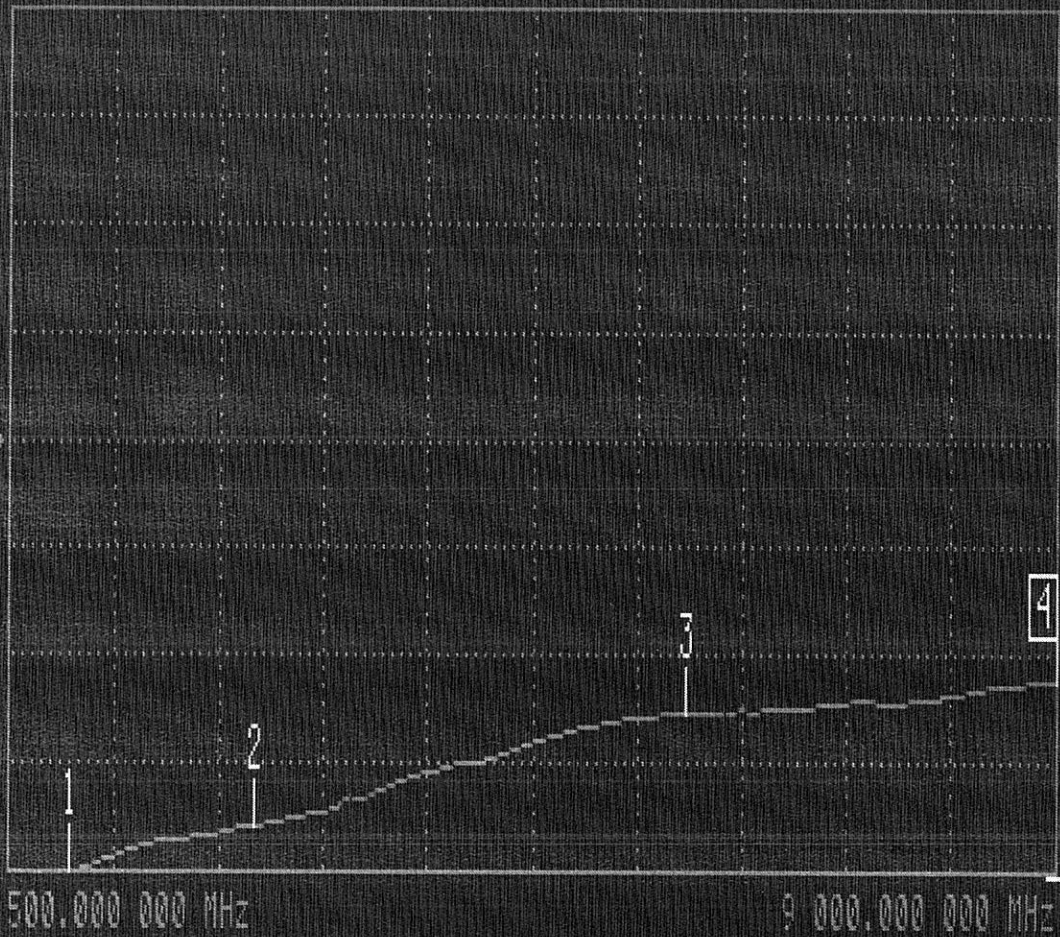
REF=0.000 dB

10.000 dB/DIV

CH 1 - S11

REFERENCE PLANE

0.0000 mm



1: 1.000000000 GHz
-40.346 dB

2: 2.500000000 GHz
-35.904 dB

S22 REVERSE REFLECTION

TRANSMISSION/REFLECTION

LOG MAGNITUDE

REF=0.000 dB

10.000 dB/DIV

3: 6.000000000 GHz
-25.511 dB

4: 9.000000000 GHz
-22.509 dB



MARKER TO PEAK

MORE

S11 FORWARD REFLECTION

CHN1

TRANSMISSION/REFLECTION

CH 1 - S11

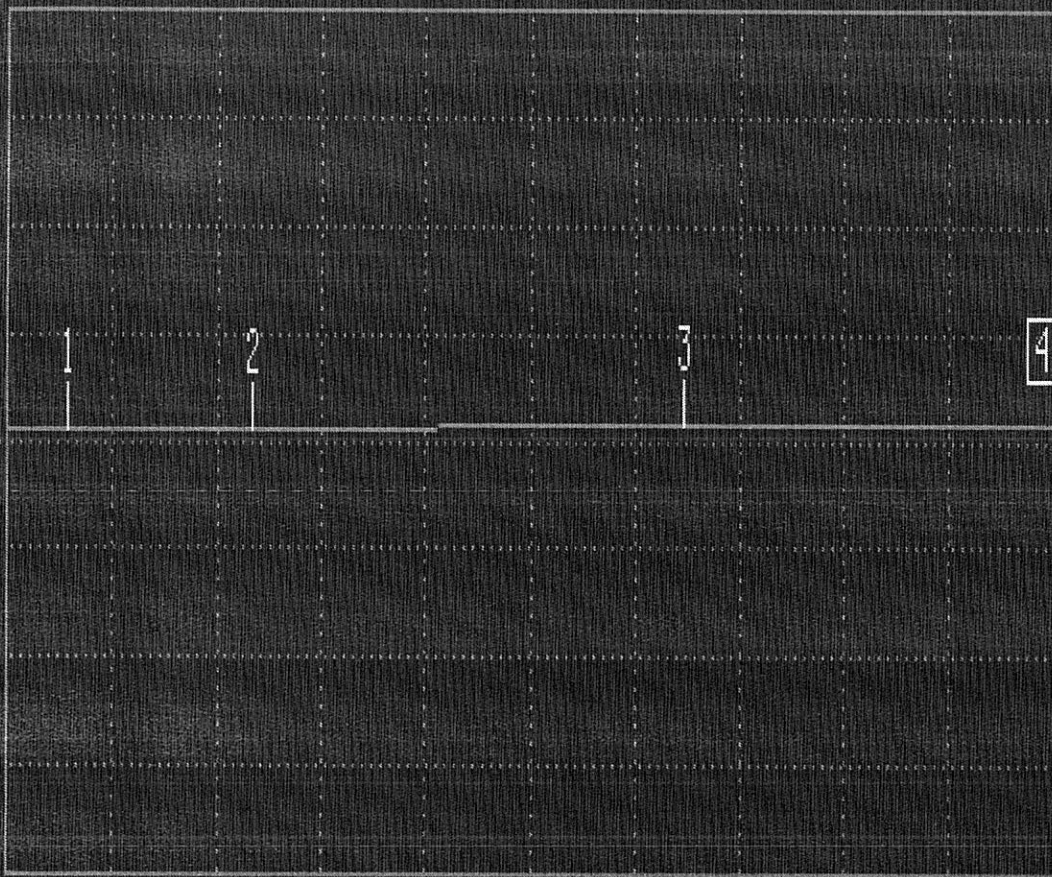
SWR

REF=0.000 pU

10.000 U/DIV

REFERENCE PLANE

0.0000 mm



500.000 000 MHz

9.000.000 000 MHz

1: 1.000000000 GHz
1.019 U

2: 2.500000000 GHz
1.033 U

S22 REVERSE REFLECTION

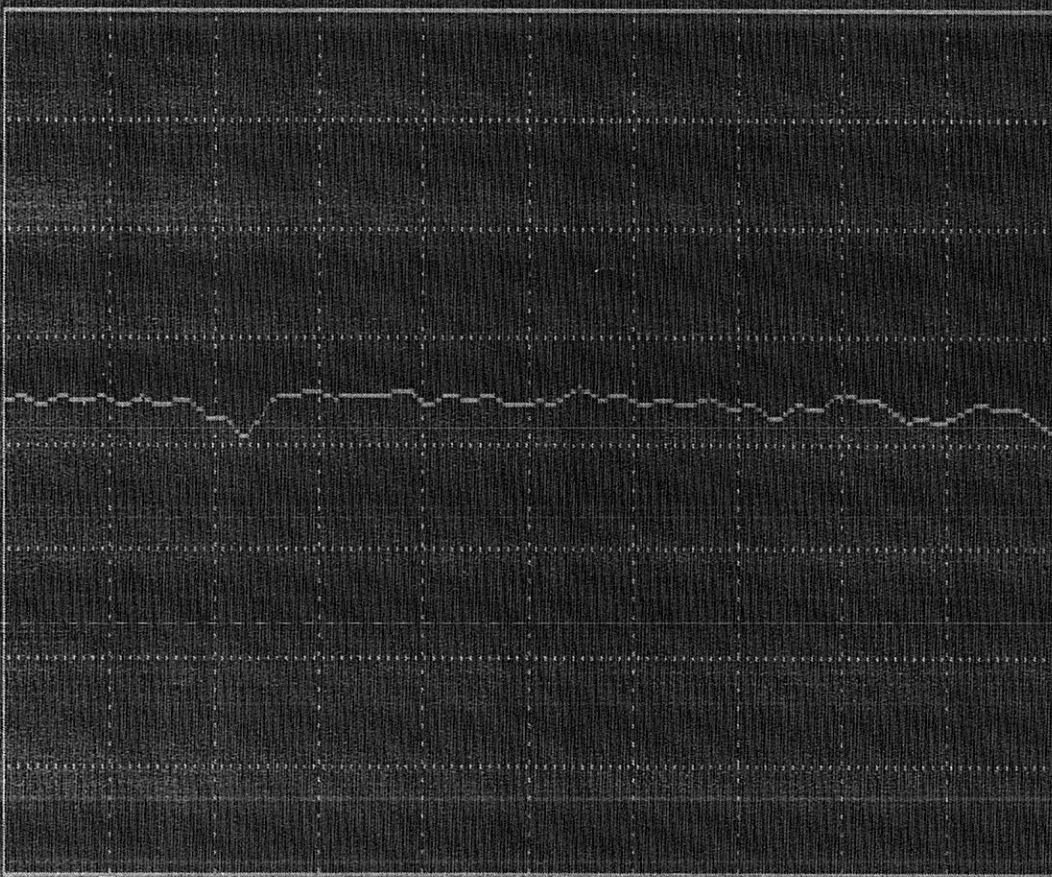
TRANSMISSION/REFLECTION

LOG MAGNITUDE

REF=0.000 dB

10.000 dB/DIV

3: 6.000000000 GHz
1.112 U



500.000 000 MHz

9.000.000 000 MHz

4: 9.000000000 GHz
1.160 U

MARKER TO PEAK

MORE

Conrad Artikel 734131

Die maximale Frequenz beträgt 9.0 GHZ