




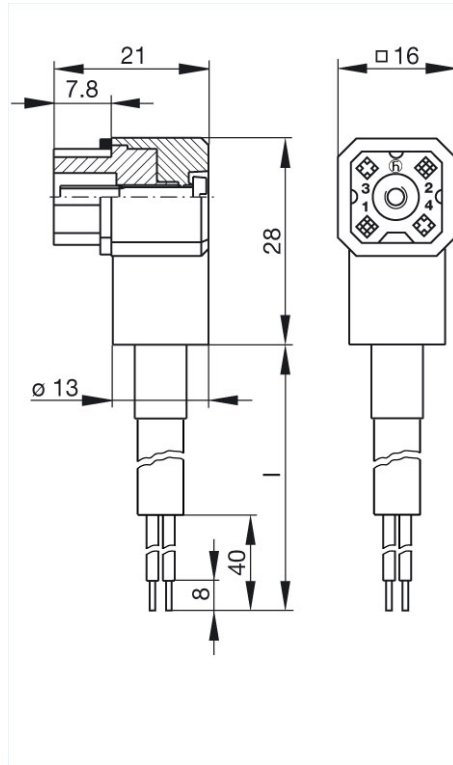
## Product information G 4 KW 1 F 2m

Industrial Connecting Solutions:Rectangular Connectors:DIN VDE 0627 / IEC 61984 Connectors (G serie):Cable socket:G 4 KW 1 F 2m

<http://www.e-catalog.beldensolutions.com/link/57078-24228-256261-24347-24348-36912/en/conf/ui/istate>

Name	G 4 KW 1 F 2m
	
	Cable socket, with integrally molded lead
<b>Delivery informations</b>	
Availability	available
<b>Product description</b>	
Description	Cable socket, with integrally molded lead
Type	G 4 KW 1 F 2m
Order No.	931 805-602
Type of contact	forked spring
Number of contacts	4
Cable material	PVC
Cable length	2 m
Conductor size	4 x 0.75 mm <sup>2</sup>
Cable type	A03 VV-F 4X0,75
Standard	DIN VDE 0627 / IEC 61984
Housing Color	grey
<b>Technical data</b>	
Rated voltage	AC/DC 50 V
Rated current	10 A
Contact resistance	<= 4 mOhm
<b>Material</b>	
Contact surface material	Sn
Contact bearer material	PA
Housing material	PA
<b>Environmental conditions</b>	
Protection class (IEC 60529)	IP 65
Pollution severity	3
Temperature range	-40 °C to +90 °C
<b>Inflammability class</b>	
Housing	94 HB
Contact bearer	94 HB
<b>Approvals</b>	
VDE	VDE
<b>Packaging unit</b>	
Packaging unit	100 pieces
<b>Scope of delivery and accessories</b>	
Scope of delivery	1 cable socket with integrally molded lead, 1 central screw M 3 x 20, 1 gasket
Accessories to order separately	can be plugged into G 4 E 1 M grau/grey, G 4 A 5 M grau/grey, G 4 A 1 M

Picture  
Drawing



**Belden Deutschland GmbH**  
Im Gewerbepark 2  
58579 Schalksmühle  
Germany  
Phone: +49 7127/14-1806  
E-Mail: [icos-sales@belden.com](mailto:icos-sales@belden.com)

The information published in the websites has been compiled as carefully as possible. It is subject to alteration without notice in technical as well as in price-related/commercial respect. The complete information and data were available on user documentation. Mandatory information can only be obtained by a concrete query.