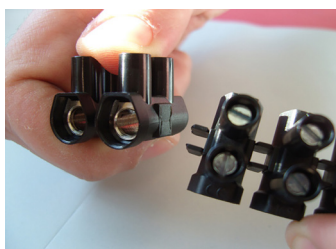


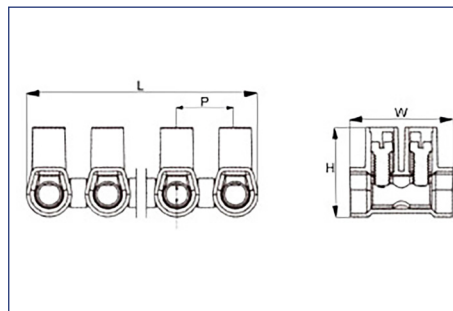
Easy break terminal strips

Product overview

- Easily snapped to required numbered of poles
- No remaining burrs
- No tools required
- Supplied with screws in raised position
- 12 poles as standard
- Halogen free
- Passes 960°C glow wire test
- Moulded in natural UL94-V2 self extinguishing PA6
- Black available on request (MOQ may apply)
- CE approved



SPECIFICATION	
Rating	450VAC
Glow wire test (EN 606 95-2-11)	960°C
Working temperature	-30°C to +110°C
Moulding	UL94-V2 self extinguishing PA6
Materials: Insert crew	Nickel plated brass Zinc plated steel



PART NO.	CONNECTING CAPACITY	MIN CONDUCTOR SECTION	TERMINAL SCREWS	LENGTH	WIDTH	HEIGHT	PITCH	MAX CURRENT
CTSOS431	2.5mm ²	1mm ²	M3	95.5mm	17.5mm	14.75mm	8mm	24A
CTSOS433	6mm ²	2.5mm ²	M3	118mm	19mm	15.6mm	10mm	41A
CTSOS434	10mm ²	4mm ²	M3.5	142mm	20.8mm	18.2mm	12mm	57A
CTSOS435	16mm ²	6mm ²	M4	160mm	23mm	21.2mm	13.5mm	76A
CTSOS438	35mm ²	16mm ²	M5	176.5mm	25.5mm	28mm	15mm	125A

KEY FEATURES

Five size options | Easily snapped to required size

