

Product information

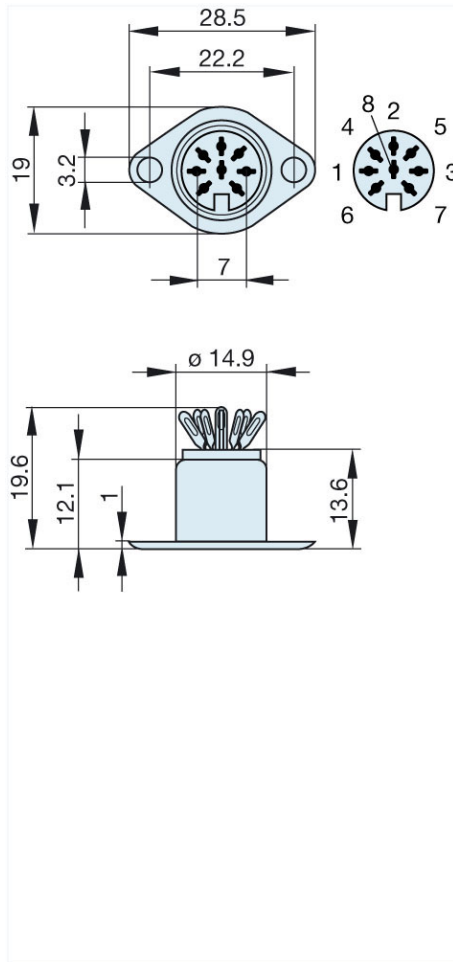
MAB 8 SN

Industrial Connecting Solutions: Circular Connectors: Audio/Video Connectors: DIN EN 60 130-09 Connectors (MAS/MAK series): without locking screw: Panel-mounted sockets: MAB 8 SN

<http://www.e-catalog.beldensolutions.com/link/57078-24228-256281-256282-24384-24385-24386-34460/en/conf/uistate>

| | |
|---------------------------------|---|
| Name | MAB 8 SN |
| |  |
| | panel-mounted socket with flange; solder joint |
| Delivery informations | |
| Availability | available |
| Product description | |
| Type | MAB 8 SN |
| Order No. | 931 613-200 |
| Type of contact | female |
| Description | panel-mounted socket with flange; solder joint |
| Number of contacts | 8 |
| Conductor size | <= 0.34 mm ² |
| Technical data | |
| LF output "Phone" | EN 60 130-09 |
| Pole arrangement DIN | DIN 45 326 |
| Rated current | 4 A |
| Rated voltage | AC/DC 34 V |
| Type of termination | solder |
| Material | |
| Contact material (socket) | brass |
| Contact surface material | tin plated |
| Contact bearer material | PA 66/UL standard 94V-2 |
| Housing material | steel, nickel-plated |
| Environmental conditions | |
| Protection class (IEC 60529) | IP 30 |
| Temperature range | -20 °C to +60 °C |

Picture
Drawing



Belden Deutschland GmbH
 Im Gewerbepark 2
 58579 Schalksmühle
 Germany
 Phone: +49 7127/14-1806
 E-Mail: icos-sales@belden.com

The information published in the websites has been compiled as carefully as possible. It is subject to alteration without notice in technical as well as in price-related/commercial respect.

