

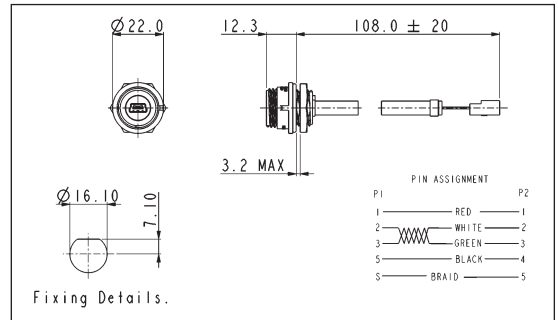
Mini USB Buccaneer®

FRONT PANEL MOUNTING CONNECTOR



PX0443

- Mini 'B' type
- Leaded with 5 way crimp, for use with PC header
- Mates with PX0441 & PX0442 type cables



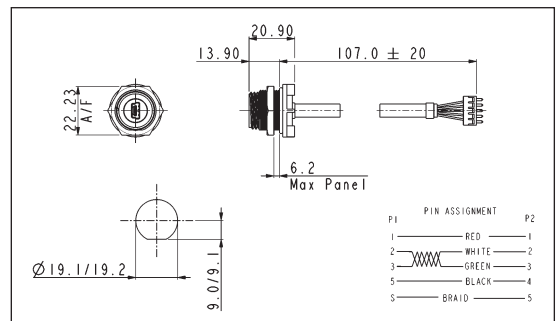
Part No.	Description
PX0443	IP68 B type Mini USB, front panel mounted. 5 way crimp connector at rear.

REAR PANEL MOUNTING CONNECTOR



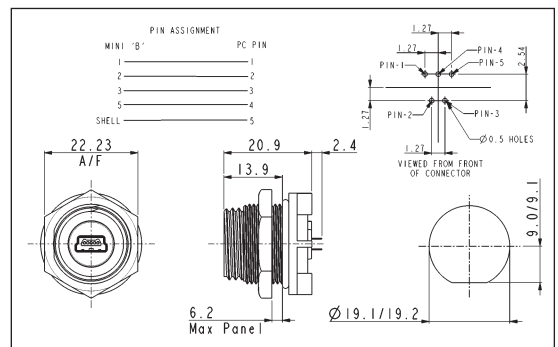
PX0446

- Mini 'B' type
- Leaded with 5 way header
- Mates with PX0441 & PX0442 type cables



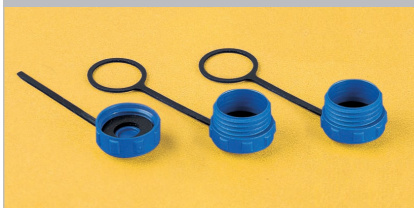
PX0447

- Mini 'B' type
- With pins for direct PC mounting
- Mates with PX0441 & PX0442 type cables



Part No.	Description
PX0446	IP68 B type Mini USB, rear panel mounted. 5 way header connector at rear.
PX0447	IP68 B type Mini USB, rear panel mounted. PC terminals at rear.

ACCESSORIES



- Sealing caps to maintain IP rating when connectors are not in use
- 5 way headers for use with PX0443

Part No.	Description
PX0485	Sealing cap for use with PX0441 and PX0442
PX0480	Sealing cap for use with PX0443
PX0484	Sealing cap for use with PX0446 & PX0447
14191	5 way straight header
14192	5 way right angle header