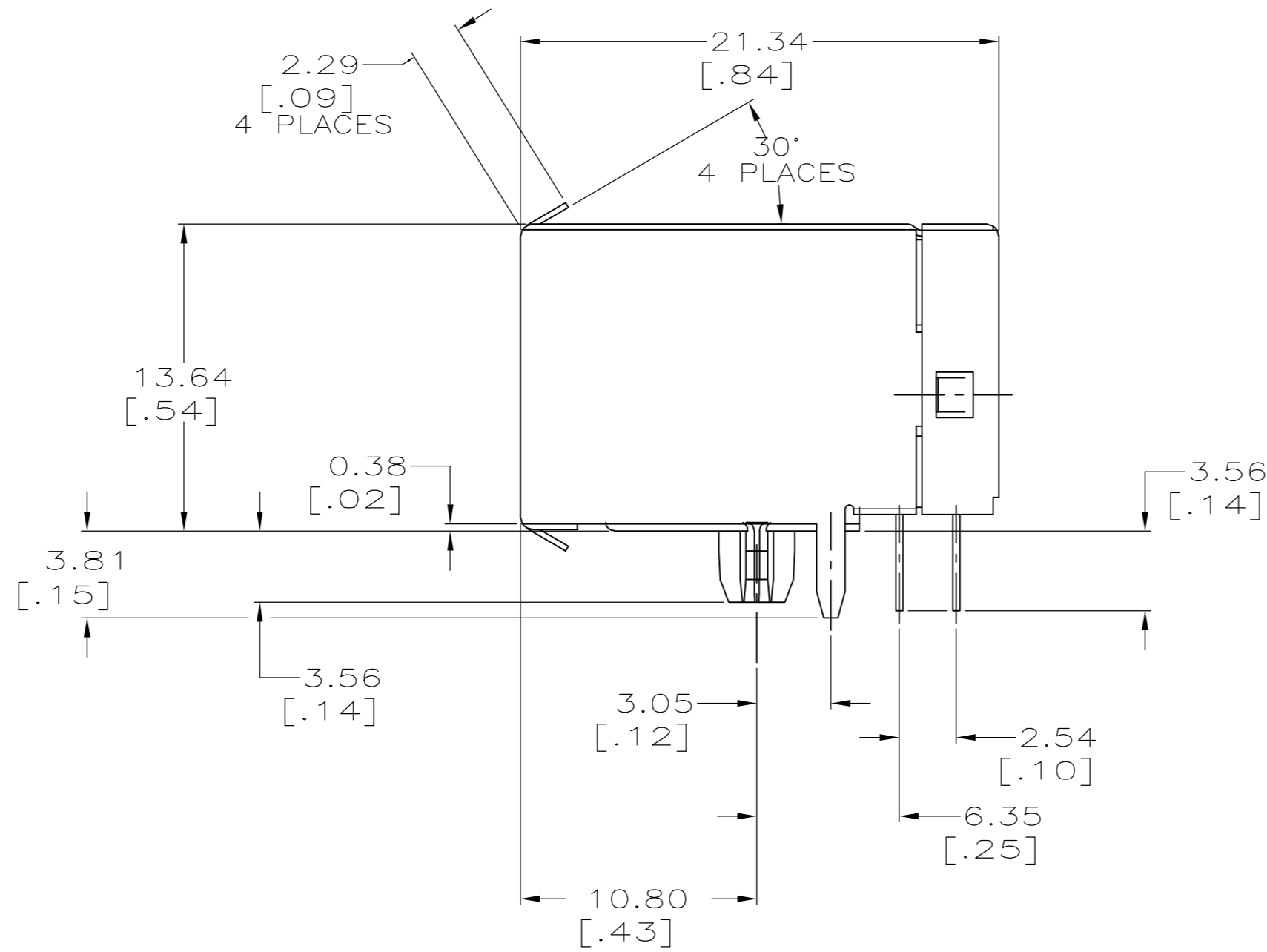
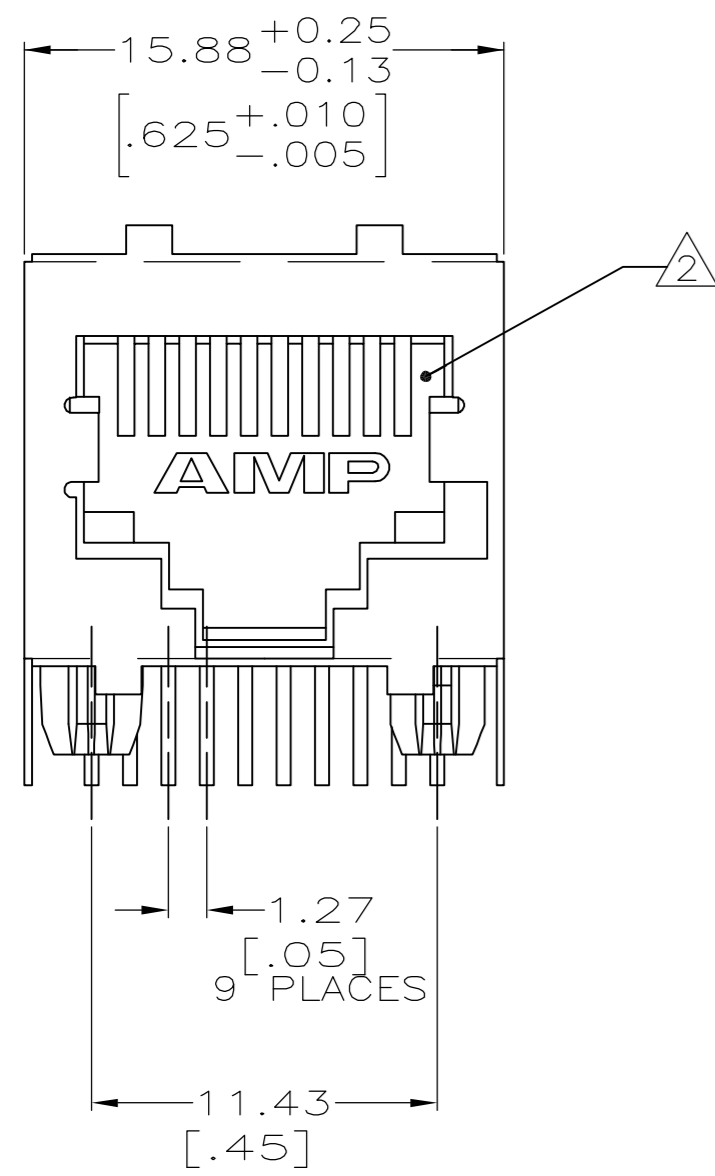
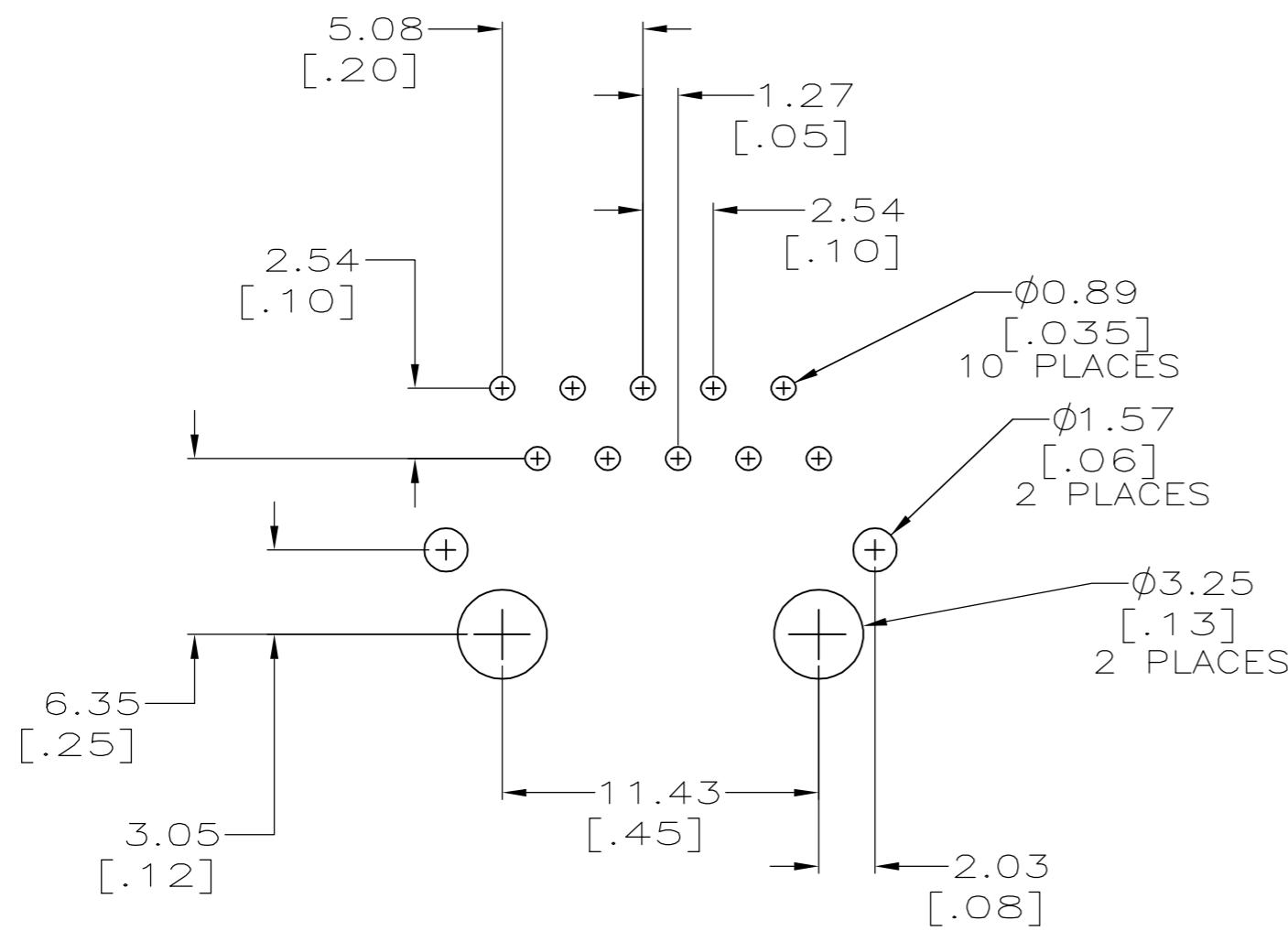


THIS DRAWING IS UNPUBLISHED. RELEASED FOR PUBLICATION  
© COPYRIGHT BY TYCO ELECTRONICS CORPORATION. ALL RIGHTS RESERVED.

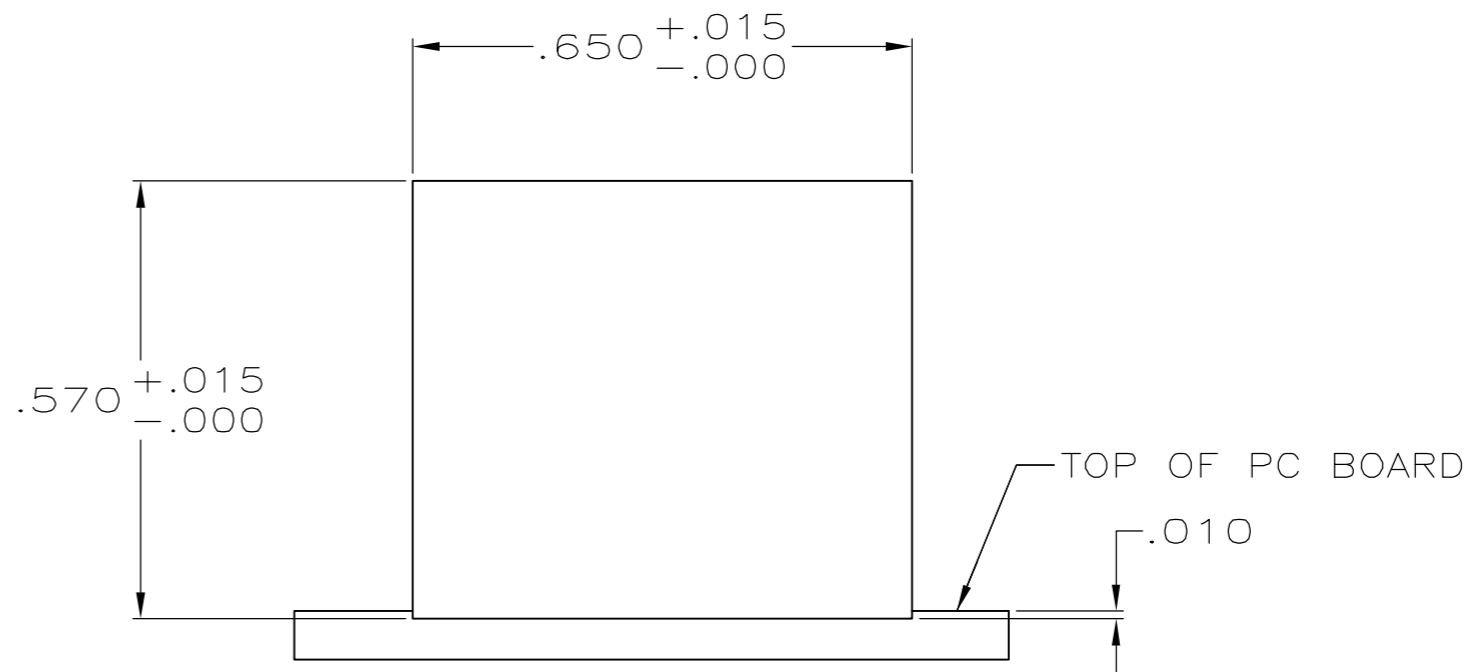
LOC	DIST	REVISIONS					
		P	LTR	DESCRIPTION	DATE	DWN	APVD
AA	22	B		REV PER ECO-07-004581	28FEB07	TK	JW



1. MATERIALS:  
 HOUSING - PCT POLYESTER, BLACK, IR REFLOW COMPATIBLE, UL 94V-0.  
 TERMINALS 0.33 [.013] THICK PHOS BRONZE PLATED WITH 1.27 μm [.000050] HARD GOLD IN LOCALIZED AREA AND 3.81 μm [.000150] MATTE TIN IN SOLDER AREA OVER 1.27 μm [.000050] MINIMUM THICK NICKEL UNDERPLATE.  
 SHIELD - 0.25 [.010] THICK COPPER ALLOY PLATED WITH 2.03 μm [.000080] MINIMUM BRIGHT TIN OVER 1.27 μm [.000050] MINIMUM NICKEL
- △ JACK CAVITY CONFORMS TO FCC RULES AND REGULATIONS, PART 68 SUBPART F.



SUGGESTED PC BOARD LAYOUT  
VIEW SHOWN IS TOP (COMPONENT SIDE) OF PC BOARD



SUGGESTED PANEL CUTOUT

5558070-1  
PART NUMBER

THIS DRAWING IS A CONTROLLED DOCUMENT.		DWN S. MAYBERRY 25MAY2005	Tyco Electronics Corporation Harrisburg, Pa 17105-3608	
DIMENSIONS: mm		CHK J.WESTMAN 25MAY2005	NAME S.FLICKINGER 25MAY2005	
TOLERANCES UNLESS OTHERWISE SPECIFIED:		APVD S.FLICKINGER 25MAY2005	PRODUCT SPEC 108-1163	
0 PLC ± -		APPLICATION SPEC 114-2048		
1 PLC ± -		SIZE A2		
2 PLC ± 0.25[.01]		CAGE CODE 00779		
3 PLC ± 0.13[.005]		DRAWING NO C=5558070		
4 PLC ± -		RESTRICTED TO -		
ANGLES ± -		SCALE 4:1		
FINISH SEE NOTE 1		SHEET 1 OF 1		
MATERIAL SEE NOTE 1		REV B		
CUSTOMER DRAWING				