

SPECIFICATIONS

Current Rating: 1.0 Amp

Dielectric Withstand: 600V AC

Insulator Resistance: 5000 MΩ min.

Contact Resistance: 30mΩ Max.

Operating Temperature: -55°C to + 105°C

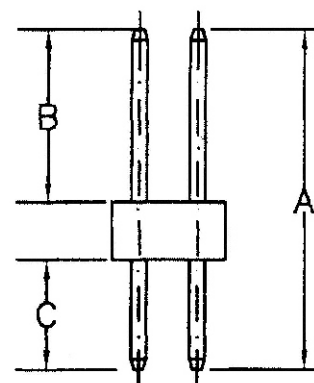
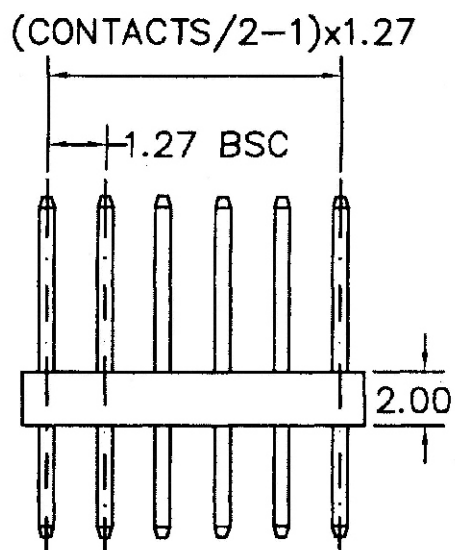
MATERIALS

Insulator: Thermoplastic, UL94V-0

Nylon-6T

Contacts: Copper Alloy

All materials must be RoHS compliant.



Datenblatt passend zu folgenden Artikelnummern
10120304 / 10120306 / 10120308 / 10120310 / 10120312 / 10120314