

### SPECIFICATIONS

**Current Rating:** 1.0 Amp

**Dielectric Withstand:** 600V AC

**Insulator Resistance:** 5000 MΩ min.

**Contact Resistance:** 30mΩ Max.

**Operating Temperature:** -55°C to + 105°C

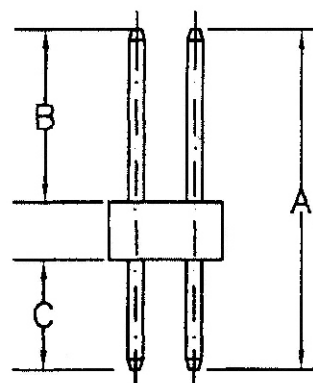
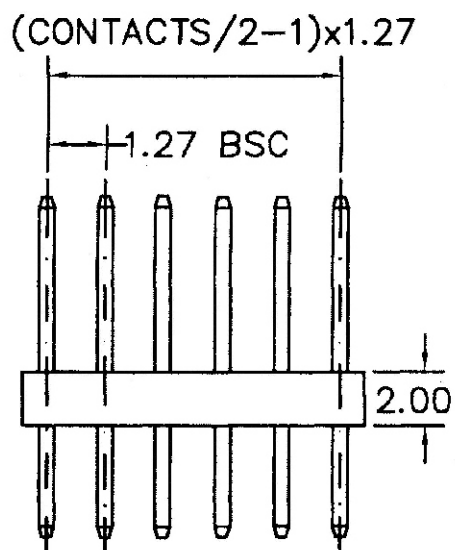
### MATERIALS

**Insulator:** Thermoplastic, UL94V-0

Nylon-6T

**Contacts:** Copper Alloy

**All materials must be RoHS compliant.**



Datenblatt passend zu folgenden Artikelnummern
10120304 / 10120306 / 10120308 / 10120310 / 10120312 / 10120314