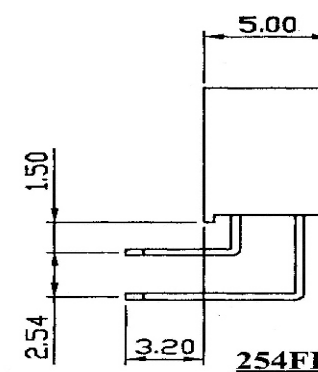
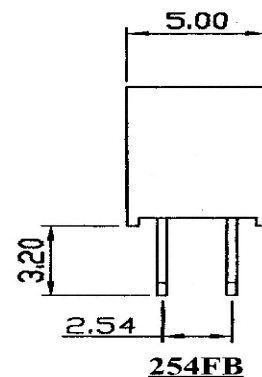
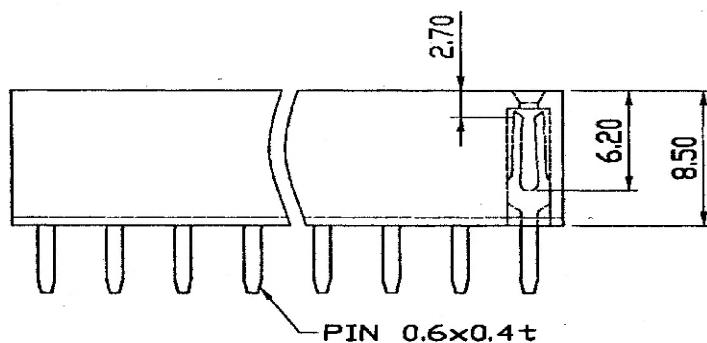


SPECIFICATIONS

Current Rating: 3 Amp
Insulation Resistance: 1000MΩ Min
Dielectric Withstanding: 600V AC/DC
Contact Resistance: 20mΩ Max.
Operating Temperature: -40°C to +105°C

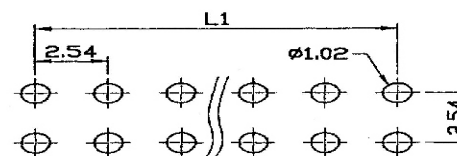
MATERIALS

Contact Material: Phosphor Bronze
Insulation Material: Polyester, UL 94V-0
 P.B.T or Nylon-6T
Contact Plating: Full Gold, Full Tin, Selective Plated
Standard: Gold Flash all Over Nickel
All materials must be RoHS compliant.



DIMENSIONS:

$L1 = 2.54 \times (\text{No. of Contacts} - 1)$
 $L2 = 0.5 + 2.54 \times \text{No. of Positions}$



Recommended P.C.Board Layout

Datenblatt passend zu folgenden Artikelnummern
10120808 / 10120814 / 10120816 / 10120818 / 10120820 / 10120822 / 10120824 / 10120826
10120229 / 10120231