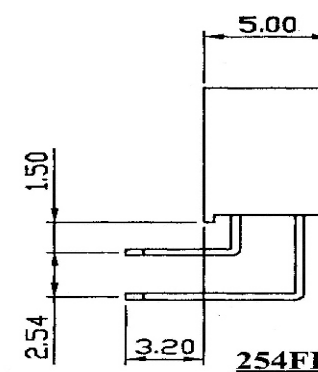
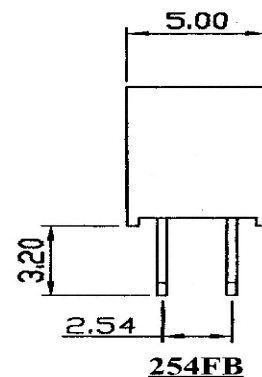
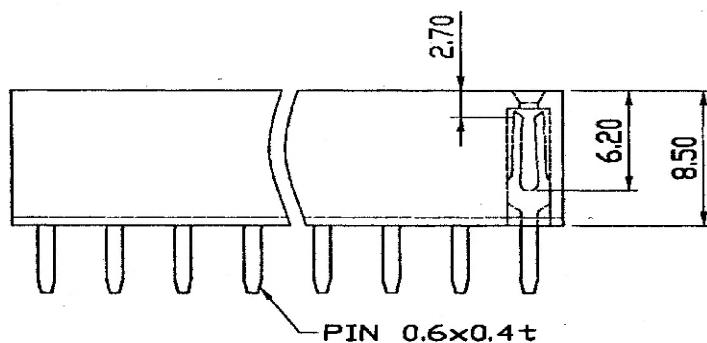


### SPECIFICATIONS

**Current Rating:** 3 Amp  
**Insulation Resistance:** 1000M $\Omega$  Min  
**Dielectric Withstanding:** 600V AC/DC  
**Contact Resistance:** 20m $\Omega$  Max.  
**Operating Temperature:** -40 $^{\circ}$ c to +105 $^{\circ}$ c

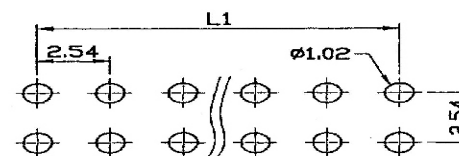
### MATERIALS

**Contact Material:** Phosphor Bronze  
**Insulation Material:** Polyester, UL 94V-0  
 P.B.T or Nylon-6T  
**Contact Plating:** Full Gold, Full Tin, Selective Plated  
**Standard:** Gold Flash all Over Nickel  
**All materials must be RoHS compliant.**



### DIMENSIONS:

$L1 = 2.54 \times (\text{No. of Contacts} - 1)$   
 $L2 = 0.5 + 2.54 \times \text{No. of Positions}$



**Recommended P.C.Board Layout**

|   |
|---|
| Datenblatt passend zu folgenden Artikelnummern  |
| 10120808 / 10120814 / 10120816 / 10120818 / 10120820 / 10120822 / 10120824 / 10120826 |
| 10120229 / 10120231   |