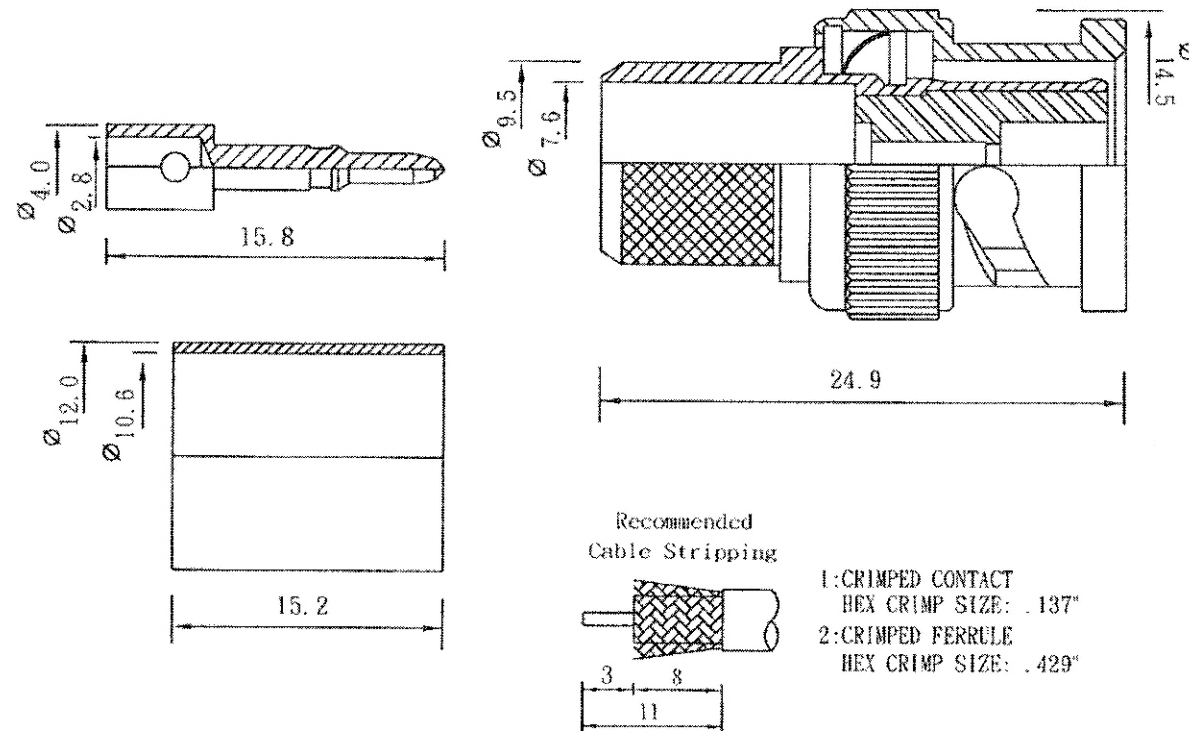


Electrical	
Impedance	50 Ω
Frequency range	0-4GHz
VSWR	≤ 1.2 typ
Test voltage	1500 volts rms
Working voltage	400 V rms
Voltage rating	500 volts peak
Power handling	≤ 80 W (2GHz)
Other (MIL-C-39012 Cable Connectors)	Contact resistance: center contact ≤ 1.5 mΩ outer contact ≤ 1 mΩ Insertion loss: ≤ 0.1x√(GHz)dB Insulation resistance: ≥ 5000 mΩ
Material	
Mating cycles	≥ 500
Center contact captivation	axial: ≥ 27 N
Environmental	
Temperature range	-45°C + 85°C
Thermal shock	US MIL-STD 202, Meth, 107, Cond, B
Vibration	US MIL-STD 202, Meth, 204, Cond, B
Climatic class	IEC 60068 65/165/21
Shock	US MIL-STD 202, Meth, 213, Cond, B
Corrosion resistance	US MIL-STD 202, Meth, 101, Cond, B
Degree of protection (mated pair)	IEC 60529

NOTES: FINISH (PLATING THICKNESS IN MICRO-INCHES)

- BODY: BRASS PER JIS-C3604
- CONTACT: BRASS PER JIS-C3604
- CONNECTOR INTERFACE PER MIL-STD-348A
- PART TO BE CLEAN AND FREE BURKS
- NICKEL PL 70 μ" THICK OVER COPPER STRIKE
- GOLD PL 1-3 μ" OVER NICKEL PL 70 μ" THICK OVER COPPER STRIKE



Recommended Cable Stripping

- 1: CRIMPED CONTACT
HEX CRIMP SIZE: .137"
- 2: CRIMPED FERRULE
HEX CRIMP SIZE: .429"

5	Ferrule	Brass	Nickel
4	Shell	Brass	Nickel
3	Insulator	Teflon	White
2	Contact	Brass	Gold
1	Body	Brass	Nickel
NO	Description	Material	Finish