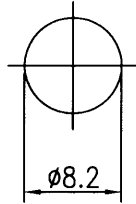
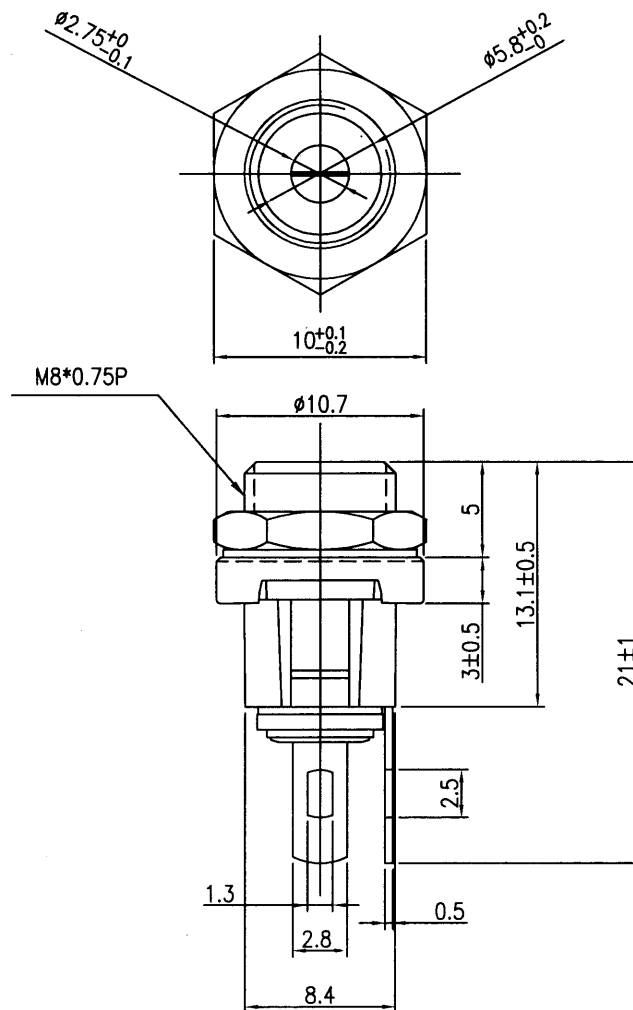


Rating	2A 24V DC	<p style="text-align: center;">Mounting Hole</p> 
Contact Resistance	30m ohm Max.	
Insulation Resistance	DC 500V 100M ohm Min.	
Dielectric Strength	AC 500V 1 minute	
Connection force	0.5-2kgf	
Disconnection force	0.4-1.5kgf	



Tolerances Unless Otherwise Specified ± 0.3

A4

							△
							△
Date	Name	Description				No.	
Drawn	Checked	Approved	SCI BOM No.	1550349	Model Name	DC JACKS	
邱 權			Customer No.		Model No.	R1-31K	
12/13/10	12/13/10	12/13/10	Unit	mm	Shin Chin Industrial Co., Ltd.		
						Rev. X0	