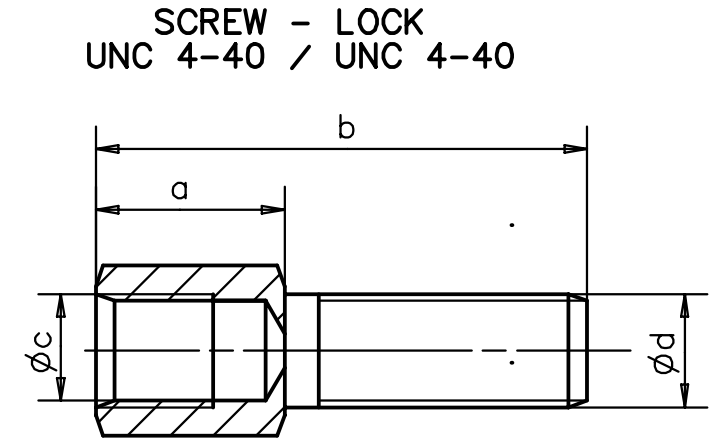
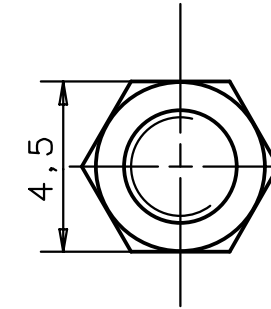
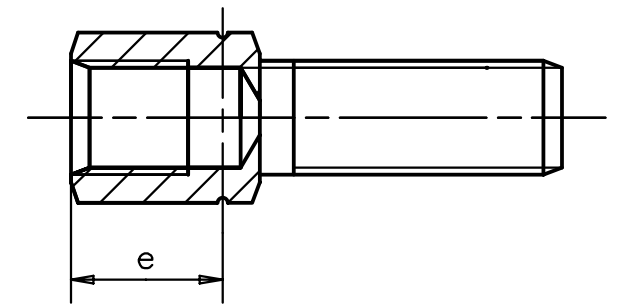


PART NUMBER					SCREW-LOCK DIMENSIONS					SET COMPOSITION				
REFERENCE	INDEX (packaging)													
	1 bag of 100 bags with 1 set	1 bag of 50 bags with 2 sets	1 bag of 2/4 bags with 100 single parts	1 bags of 2/4 bags with X single parts	1 bag of 2/4 bags with 500 single parts			4-40 UNC 2B / M3-6H	4-40 UNC 2A / M3-6g	groove	screw - lock	flat washer (2X)	spring washer	nut
	00	20	26	58	72	a	b	∅c	∅d	e				
0967 000 9922	X	X		X		5	13	UNC	UNC	-	X	X	X	X
0967 000 9924	X	X		X		5	13	UNC	M3	4.1	X	X	X	X
0967 000 9973	X	X		X		5	18	UNC	UNC	-	X	X	X	X
0967 001 9939	X					5	13	UNC	UNC	-	X		X	



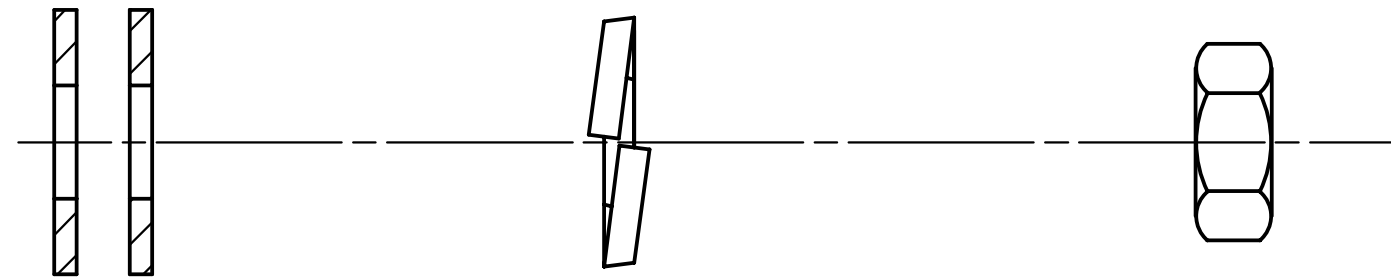
UNC 4-40 / M3



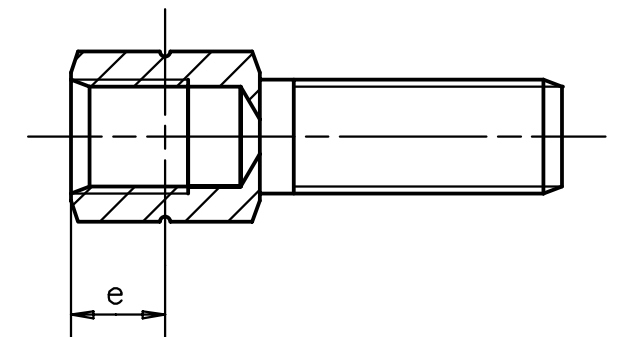
FLAT WASHER
DIN 125 A

SPRING WASHER
DIN 127 B

NUT



M3 / M3



Alle Rechte vorbehalten. All rights reserved

			Detail.	Dat.	Name	 All Dim. in mm Orig. Size DIN A 3	female SCREW-LOCK	Maßstab/ Scale
23231	28.07.98	PP	Insp.	23.09.96	MF			5:1
21221	18.07.97	MF	Stand.					
21212	16.04.97	MF						
19449	23.09.96	MF						
Mod.	Dat.	Name	HARTING F-95972 Paris			TB	0967 00X 99XX	Blatt/ Page 1 / 2
						Sub.		