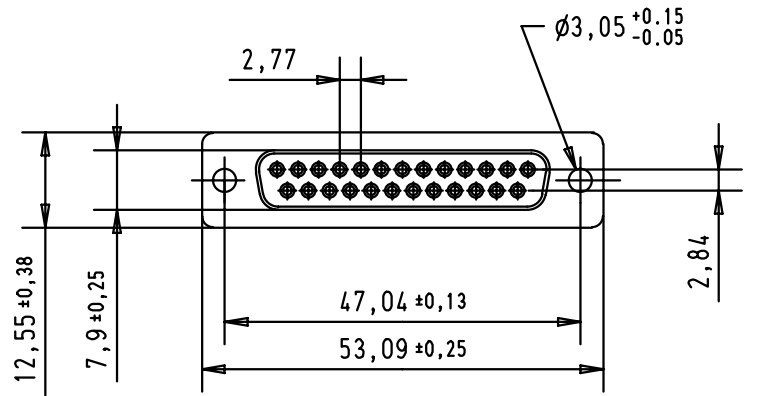
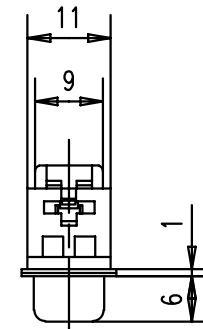
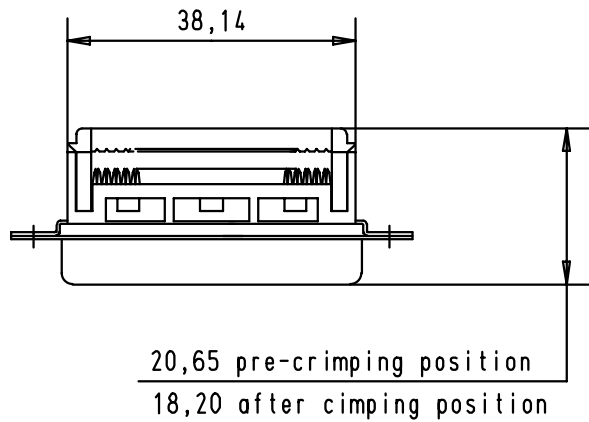
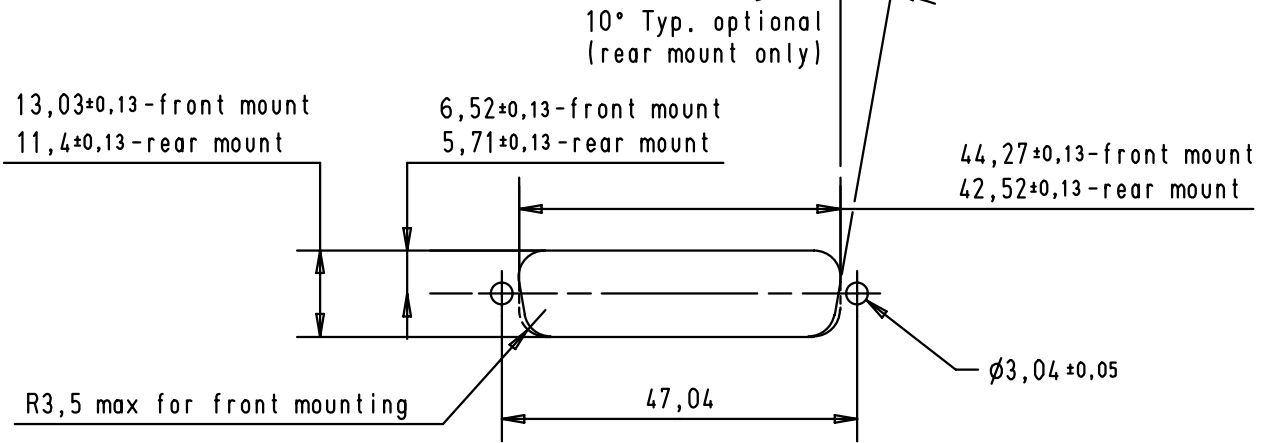


5 4 3 2 1



RECOMMENDED PANEL CUTOUT DIMENSIONS



1.27 mm pitch flat cable stranded, wire sizes : AWG 26 to 28

A	09 66 318 7500	25	3								D-Sub female connector Insulation displacement termination through holes fixing	Maßstab/ Scale 1 : 1
	09 66 318 6500	25	2				Detail.	09/07/01	S.H.	All Dim. in mm Orig. Size DIN A 4		
	09 66 318 5500	25	0.76 µm Au				Insp.					
							Stand.					
	part number	No of contact	performance level									
				29771	16-APR-02	CV	HARTING ELEKTRONIK F-95972 Paris				TB 0966 318 x500	Blatt/ Page 1 /
			29756	19-MAR-02	CV							
			29697	09/07/01	S.H.							
				Mod.	Dat.	Name						