

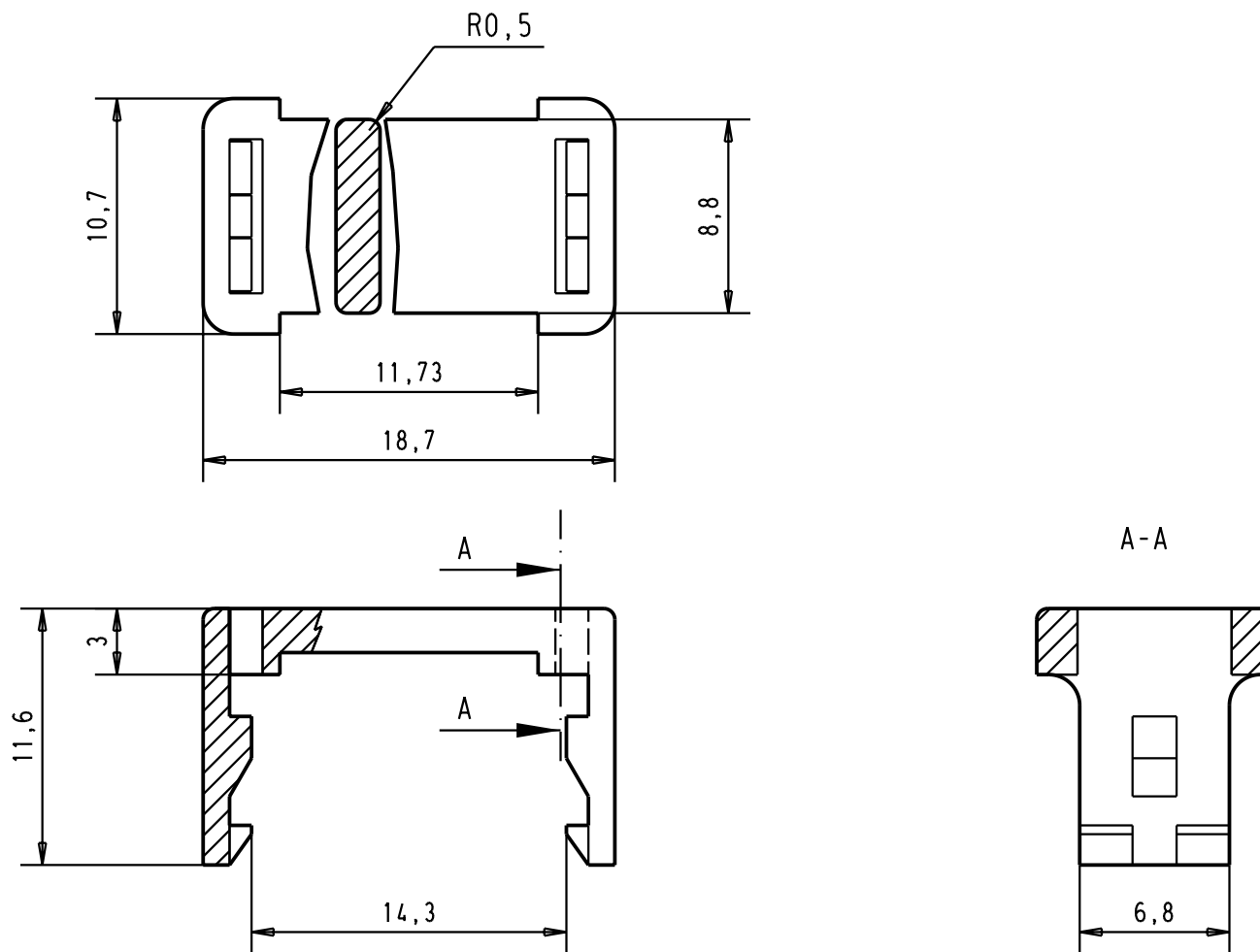
5



4

3

2

1



						 All Dim. in mm Orig. Size DIN A 4
			Detail.	31-MAY-02	CV	
			Insp.			
			Stand.			
31050	31-MAY-02	CV	HARTING ELEKTRONIK F-95972 Paris			
Mod.	Dat.	Name				

D-Sub strain relief 9 poles		Maßstab/ Scale 3:1
TB 09 66 108 0001		Blatt/ Page 1/
Sub.		

D

C

B

A