

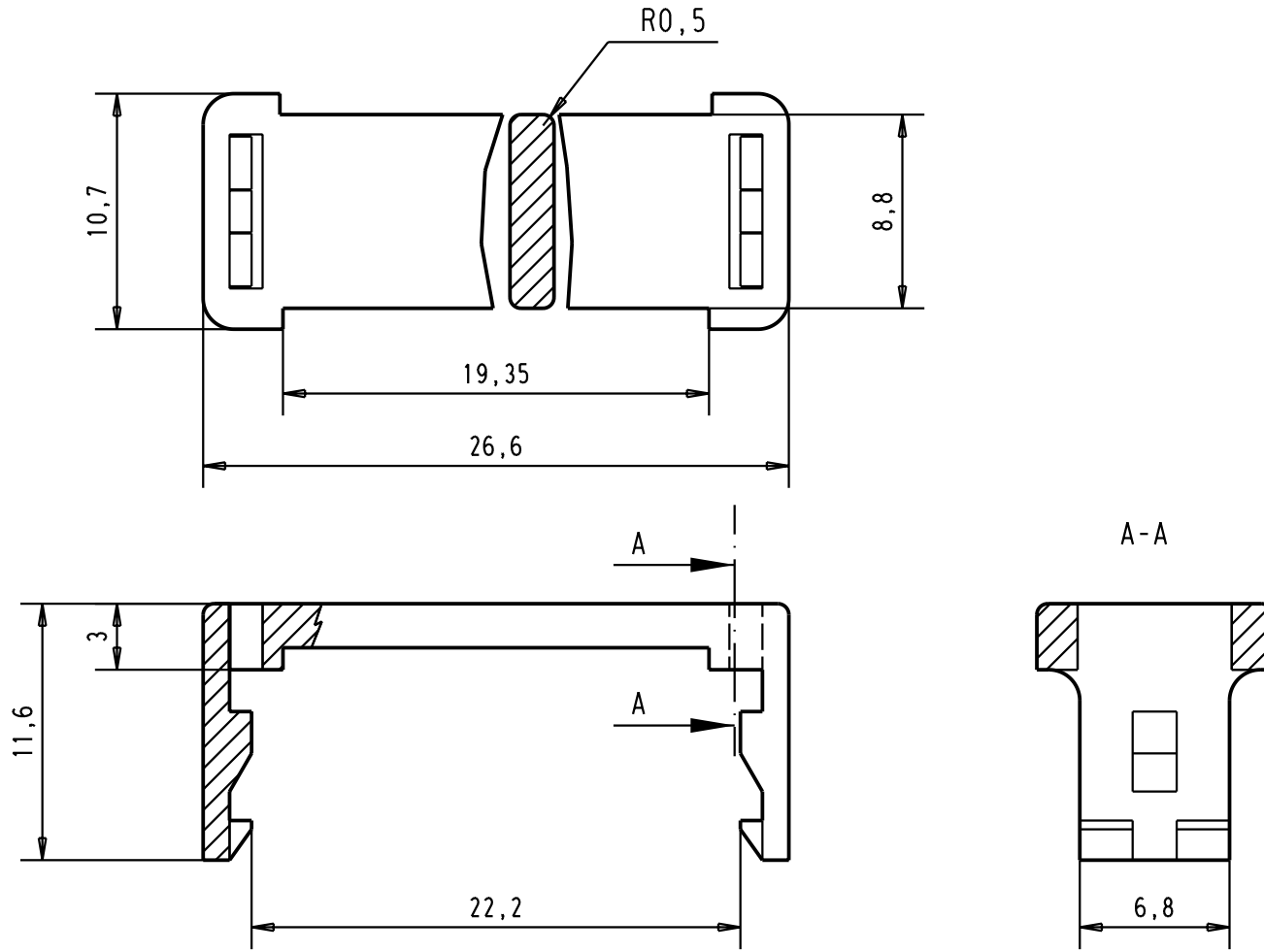
5



4

3

2

1



						 All Dim. in mm Orig. Size DIN A 4	D-Sub strain relief 15 poles	Maßstab/ Scale
			Detail.	31-MAY-02	CV			3:1
			Insp.					
			Stand.					Blatt/ Page
31050	31-MAY-02	CV	HARTING ELEKTRONIK				TB 09 66 208 0001	1
Mod.	Dat.	Name	F-95972 Paris					Sub.

D

C

B

A