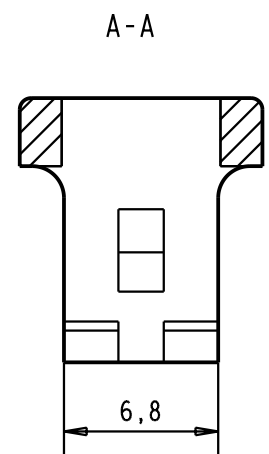
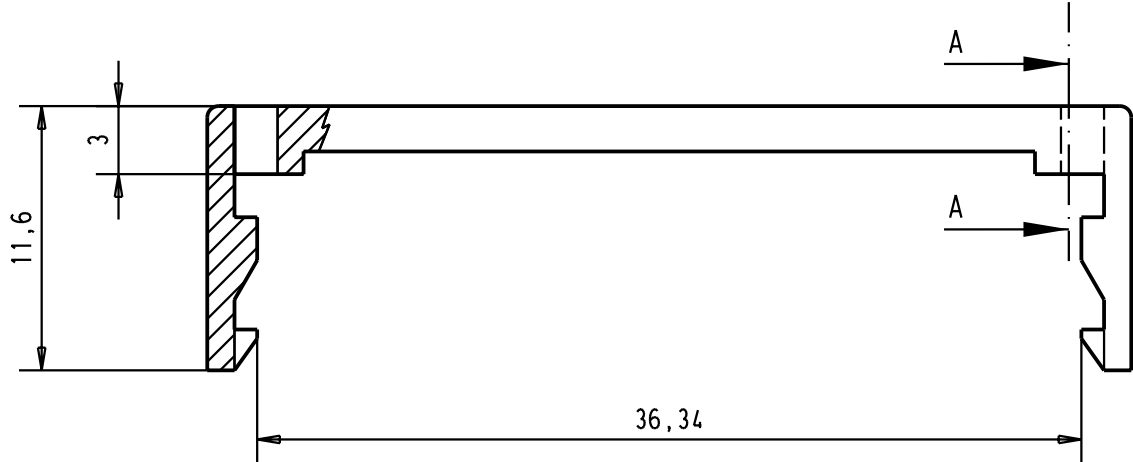
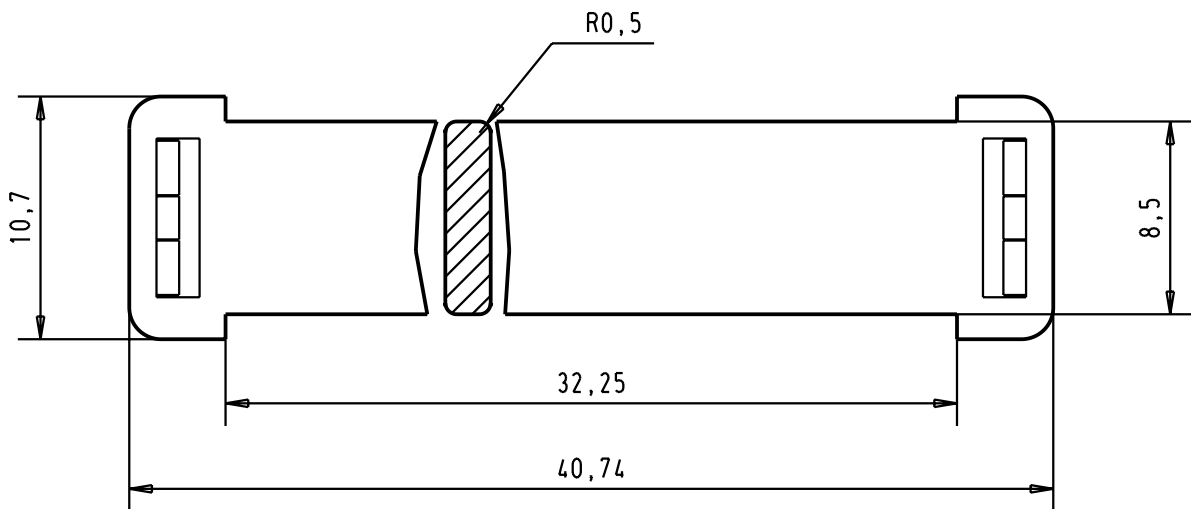
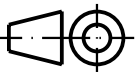



5 4 3 2 1



						 All Dim. in mm Orig. Size DIN A 4	D-Sub strain relief 25 poles	Maßstab/ Scale
			Detail.	Dat.	Name			3:1
			Insp.					
			Stand.					Blatt/ Page
31050	31-MAY-02	CV	HARTING ELEKTRONIK F-95972 Paris				TB 09 66 308 0001	1
Mod.	Dat.	Name					Sub.	

D

C

B

A