

5

4

3

2

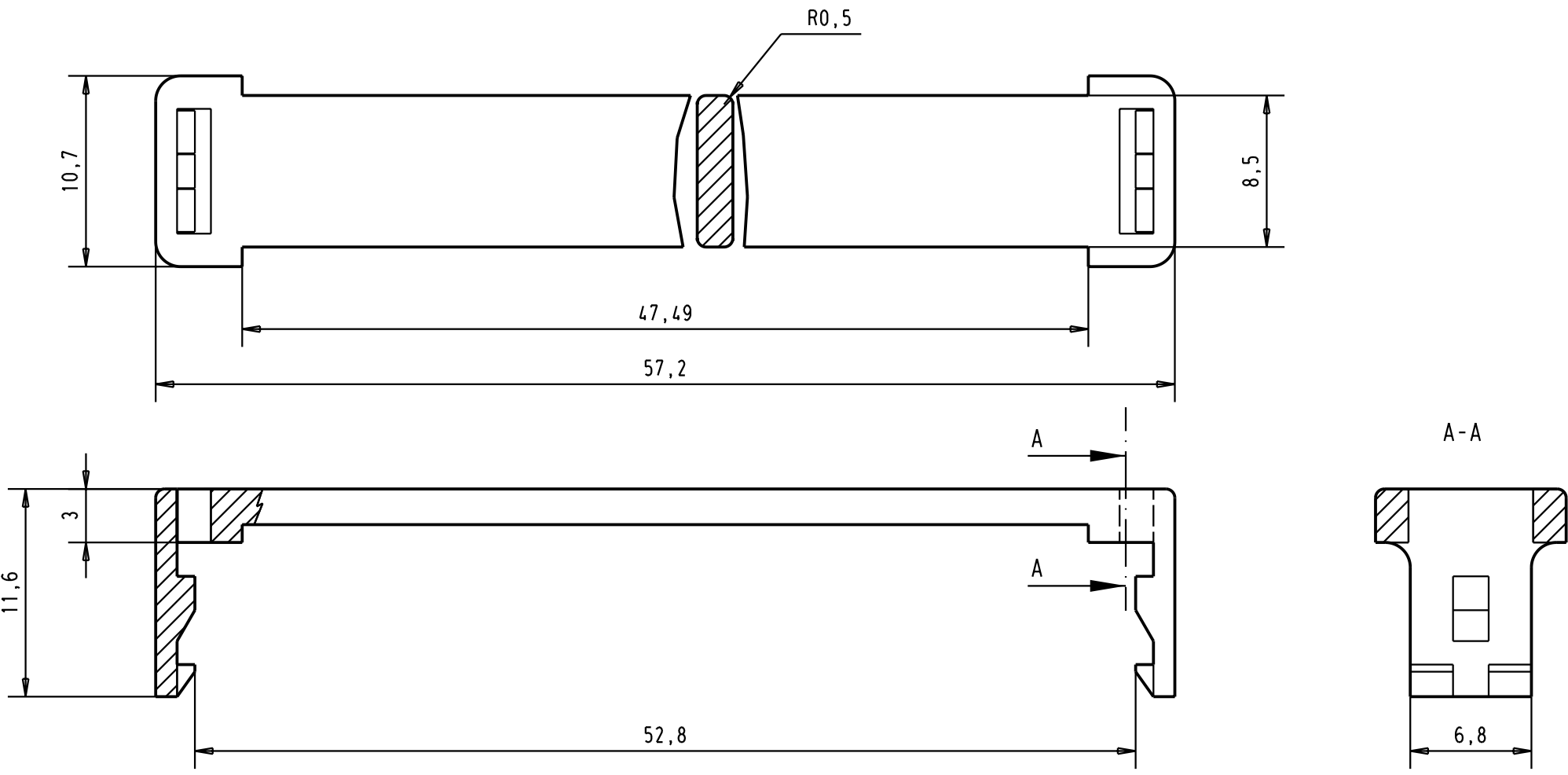
1



D

C

B

A



				Dat.	Name	 All Dim. in mm Orig. Size DIN A 4	D-Sub strain relief 37 poles	Maßstab/ Scale 3:1
			Detail.	31-MAY-02	CV			
			Insp.					
			Stand.					
31050	31-MAY-02	CV	HARTING ELEKTRONIK				TB 09 66 408 0001	Blatt/ Page 1 /
Mod.	Dat.	Name	F-95972 Paris					