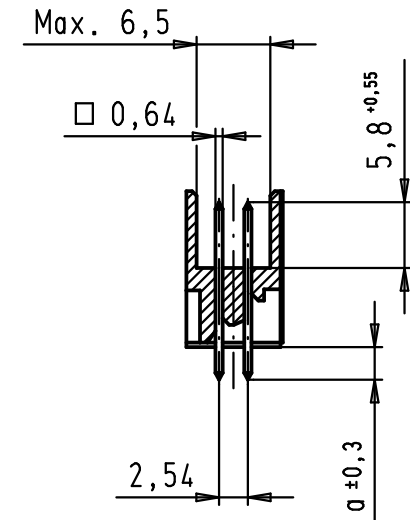
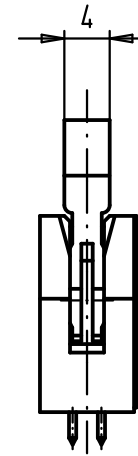
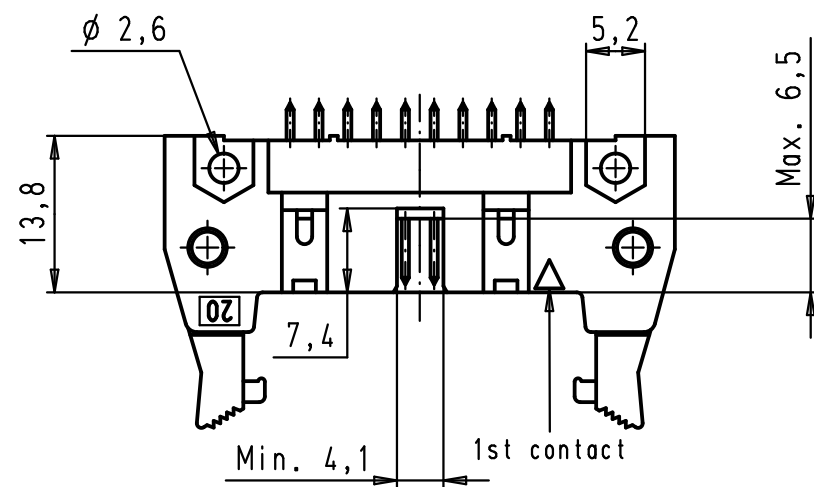
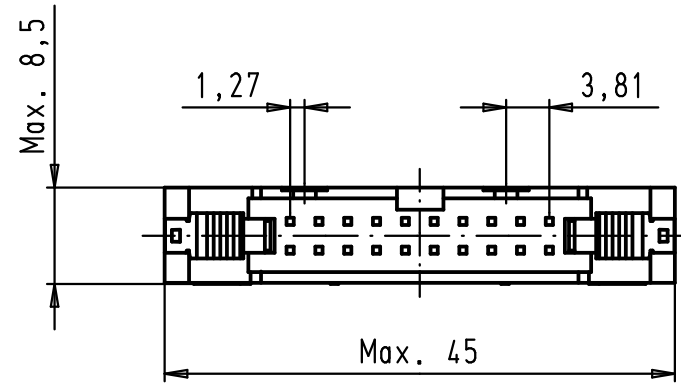
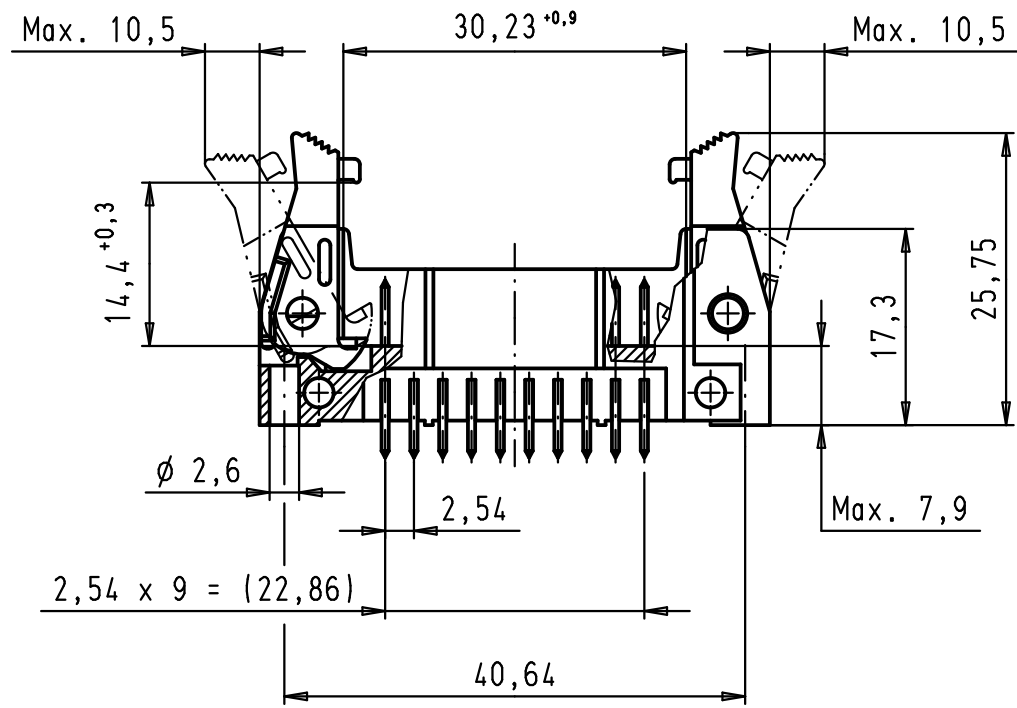
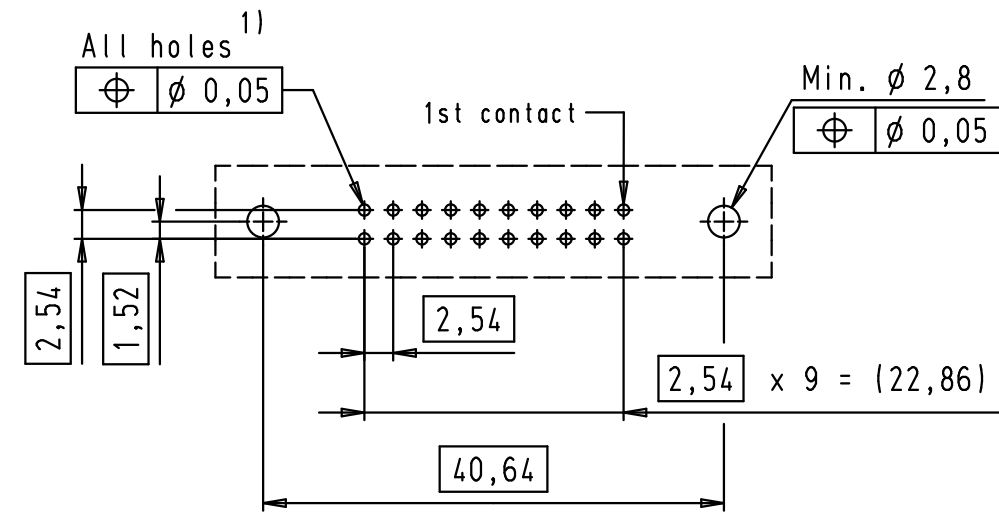


Alle Rechte vorbehalten/ All rights reserved

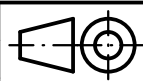



PCB layout, component side



1) Solder pins for PCB connections
 $\phi 1 \pm 0,1$ according to IEC 60 326-3

09 18 520 7904 001	3	2,9	Black insulator
09 18 520 6904 001	2	2,9	Black insulator
09 18 520 5904 001	0,76 $\mu\text{m Au}$	2,9	Black insulator
09 18 520 7902	3	4,5	Standard insulator color
09 18 520 6902	2	4,5	Standard insulator color
09 18 520 5902	0,76 $\mu\text{m Au}$	4,5	Standard insulator color
09 18 520 7904	3	2,9	Standard insulator color
09 18 520 6904	2	2,9	Standard insulator color
09 18 520 5904	0,76 $\mu\text{m Au}$	2,9	Standard insulator color
Part number	Performance level	a	Index designation

Mod.	Det.	Name	Det.	Name	 SEK 18 Male Connector Standard 20 poles Straight solder pins Long locking levers	Maßstab/ Scale
35318	30/09/08	PK	Detail.	01/12/99		JB
34900	28/01/08	LP	Insp.			
33451	30/03/06	JMDR	Stand.			
27931	15/06/00	JB				
26554	01/12/99	JB				
HARTING EURL F-95972 Paris					 TB 09 18 520 X90X	Blatt/ Page 1 2