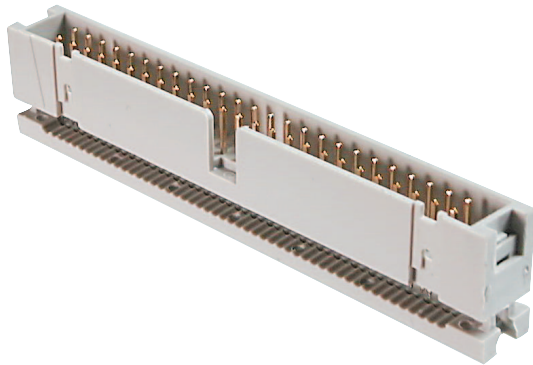


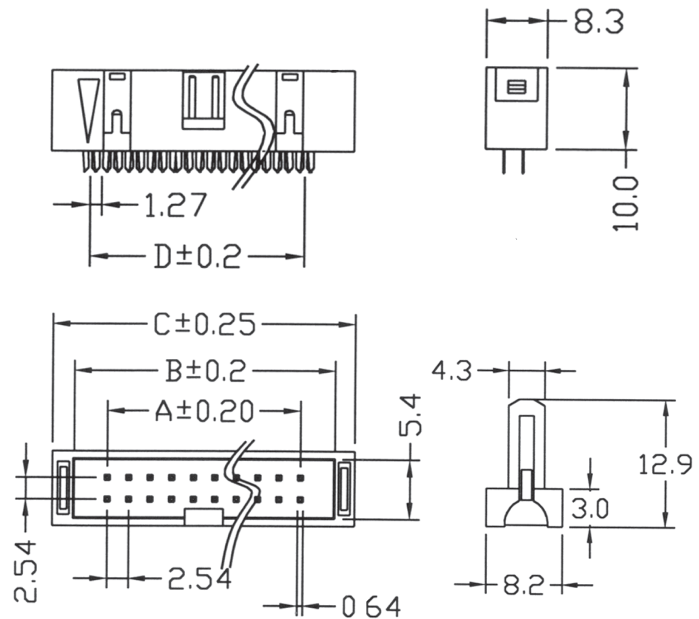
**IDC-Wannen-Steckerleisten**, Raster 2.54 x 2.54 mm  
**IDC-low profile header**, pitch 2.54 x 2.54 mm



**Isolierkörper**  
Polyester GV, UL94V-0  
**Kontakte**  
Messing  
**Anforderungsstufe**  
III, 50 Steckzyklen  
**Kontaktbelastung**  
1 A max.  
**Durchschlagsspannung**  
500 V eff  
**Temperaturbereich**  
-55°C bis +105°C

**Insulator**  
Polyester GV, UL 94V-0  
**Contacts**  
Brass  
**Quality class**  
III, 50 mating cycles  
**Current rating**  
1 A max.  
**Withstanding voltage**  
500 V rms  
**Temperature range**  
-55°C to +105°C

| Dimension (mm)  |       |       |       |       |
|-----------------|-------|-------|-------|-------|
| No. of Contacts | A     | B     | C     | D     |
| 10              | 10.16 | 18.15 | 22.95 | 11.43 |
| 14              | 15.24 | 23.23 | 28.03 | 18.51 |
| 16              | 17.78 | 25.77 | 30.57 | 19.15 |
| 20              | 22.86 | 30.85 | 35.65 | 24.13 |
| 24              | 27.94 | 35.93 | 40.73 | 29.21 |
| 26              | 30.48 | 38.47 | 43.27 | 31.75 |
| 30              | 35.56 | 43.55 | 48.35 | 36.83 |
| 34              | 40.64 | 48.63 | 53.43 | 41.91 |
| 40              | 48.26 | 56.25 | 61.05 | 49.53 |
| 50              | 60.96 | 68.95 | 73.75 | 62.23 |
| 60              | 73.66 | 81.65 | 86.45 | 74.93 |
| 64              | 78.74 | 86.73 | 91.53 | 80.01 |



Bestellcode: **AWHC - x - 0111 - T**  
 Ordercode :

Bitte „x“ durch die unten geeignete Option ersetzen  
 Please replace „x“ with appropriate option listed below

1. Polzahl  
 10 / 14 / 16 / 20 / 26 / 34 / 40 / 50 / 60 / 64

No. of contacts  
 10 / 14 / 16 / 20 / 26 / 34 / 40 / 50 / 60 / 64

**Zugentlastungsbügel zur Nachrüstung**  
 AWHC-Z-xx (xx -Polzahl)

**Strain relief bow for subsequent conversion**  
 AWHC-Z-xx (xx -no. of contacts)