

Introduction



The diameter 1.5 mm and diameter 2.5 mm Connector System is designed for electronic and electrical applications in motor vehicles.

It fulfills all requirements for a connector system for use in automobiles and covers a wide range of applications.

Contacts

- Basic material (CuNiSi) with high current capacity
- Rugged two-piece construction with stainless steel jacket
- Six points of contact (2.5 mm System) and five points of contact (1.5 mm System)
- 2.5 mm System wire range 0.2–4.0 mm²
- 1.5 mm System wire range 0.2–2.5 mm²

Connectors

- High reliability status supported for long term use
- High vibration level supported
- Perfect design to avoid quality problems, reduce manufacturing and service cost
- Integrated secondary locking device delivered in pre-locked position
- Wire-to-Wire sealed and unsealed connectors (SWS)
- Wire-to-Board sealed and unsealed connectors (SWS)
- Polarisation, several keyings
- Locking mechanism for smaller connectors/mating aid for higher numbers of ways
- Sealed Circular Connector Series (SCCS)
- Injector Connectors
- Miscellaneous Sealed Connectors for Circular Contacts

Engineering Notes



Introduction



The diameter 1.5 mm and diameter 2.5 mm round contact systems developed by Tyco Electronics is mainly used in the automotive industry. Due to its wide range of performance possibilities, this contact system is in use in the engine compartment for aggregate or sensor connections.

Every contact has got a steel cantilever spring and a copper alloy body.

The two-piece contact design means that the electrical and mechanical properties are separated. One end of the contact body is crimped to wire and the other end mates with the matching pin.

The closed cantilever spring has got several functions and also different advantages for the complete contact system.

In addition there are several lances on the steel to spring. These serve to lock the contact securely in the housing.

Sockets and pins can be applied on both sealed and unsealed connectors.

The diameter 1.5 mm and diameter 2.5 mm contact system can be fast and economically arranged to the lead using Tyco Electronics application tooling.

Technical Features

- 100 % quality assurance for the contact socket
- Resistant against fretting corrosion
- Vibration resistant
- Excellent longevity
- Low contact resistance
- High position configurations
- Contact design accepts secondary locking device
- Several contact points
- Sturdy contact design
- Guarantees constant insertion and extraction forces

Socket and Pin Contacts

Technical Features

Wire Size Range:
0.2–2.5 mm²

Insulation Diameter:
1.2–3.0 mm

Contact Material:
CuNiSi,
CuNi18Zn20,
CuFe2

Contact Finish:
Tin plated, silver plated,
gold plated, plain

Temperature Range
–40 °C to +130 °C (tin plated)
–40 °C to +140 °C (silver plated)
–40 °C to +150 °C (gold plated)
–40 °C to +150 °C (plain)

Current Carrying Capacity:
Up to 30 A max.

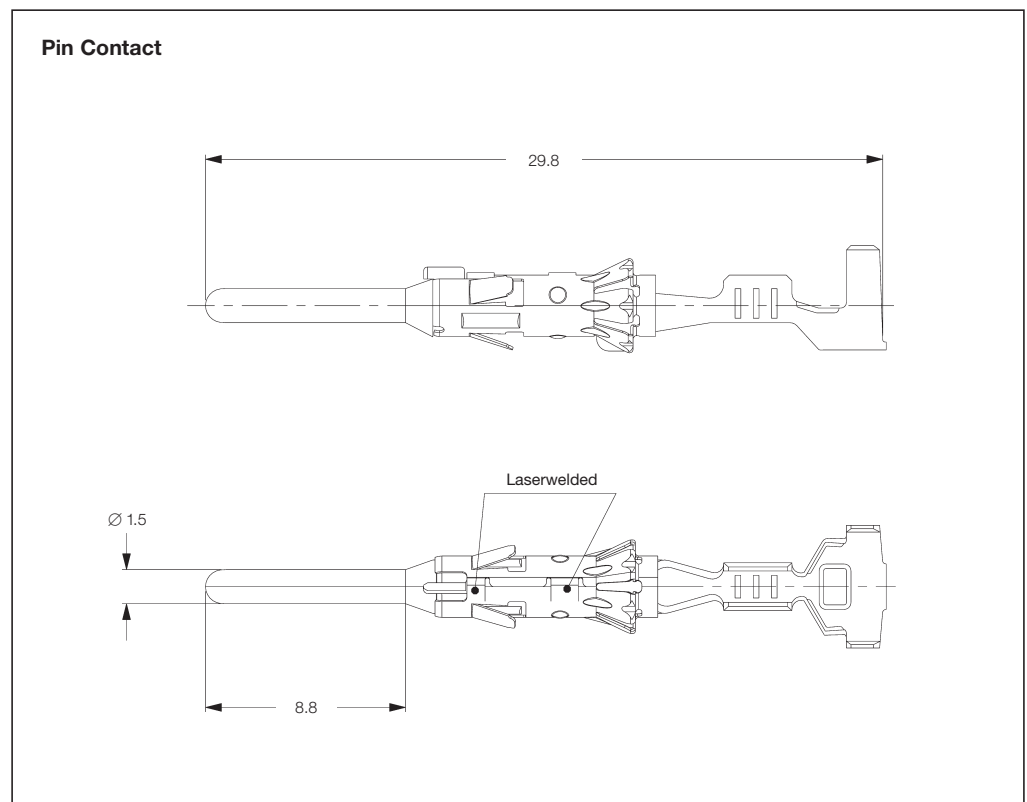
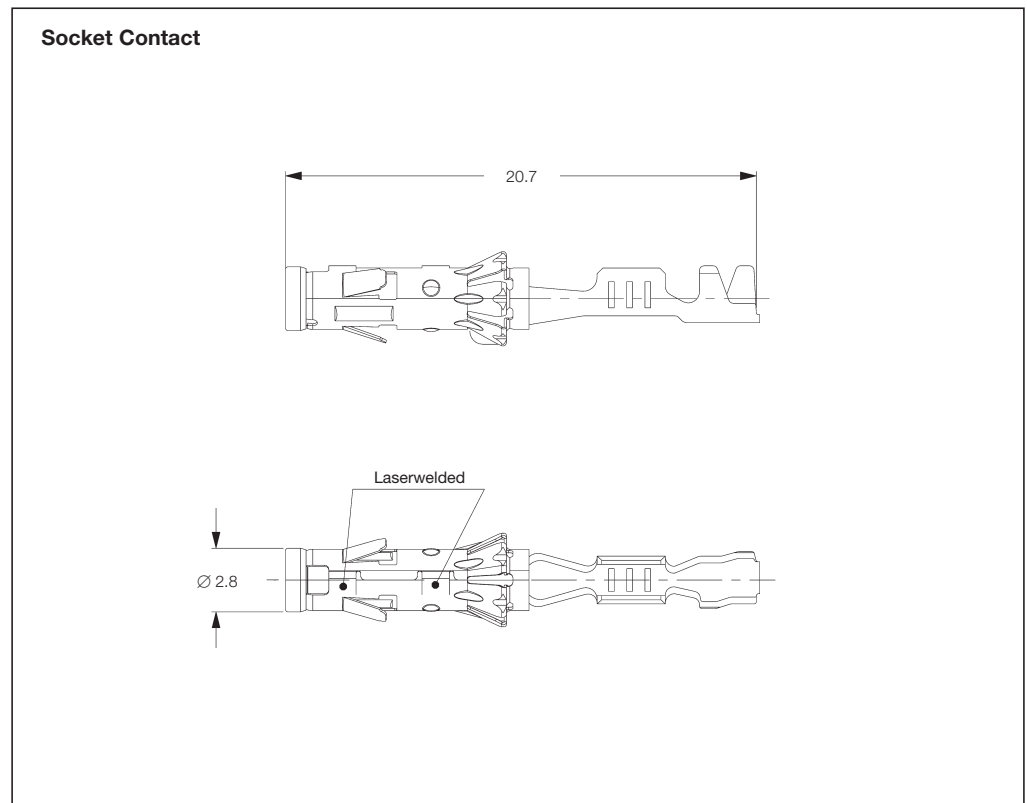
Product Specification:
108-18028

Application Specification:
114-18040

Extraction Tool:
Part No. **539972-1**
(Socket Contact)
Part No. **3-1579007-7**
(Pin Contact)

Spare Tube:
Part No. **5-1579007-0**
(Socket Contact)
Part No. **3-1579007-8**
(Pin Contact)

Terminal Mounting Tool:
(for 0.2–1.0 mm²)
Part No. **965702-1**



Socket Contacts

Diameter 1.5 mm Socket Contacts

| Wire Size Range (mm ²) | Insulation Diameter (mm) | | Material and Finish | Part Numbers | | | | Applicator ♦ | Hand Tool ♦ |
|---------------------------------------|--------------------------|----------|---------------------|--------------|------------------|-------------|------------------|--------------|-------------|
| | FLK | FLR | | Strip Form | Package Quantity | Loose-Piece | Package Quantity | | |
| 0.2–0.4 | – | 1.15–1.6 | tin plated | 929985-1 | 5,000 | 962994-1 | 500 | 878480 | 734285-1 |
| 0.5–1.0 | – | 1.4–2.1 | tin plated | 929986-1 | 4,500 | 962995-1 | 500 | 878481 | 734285-1 |
| | | | | 929986-4 | 5,000 | 962995-4 | 500 | | |
| ≥1.0–2.5 | – | 1.9–3.0 | tin plated | 929987-1 | 3,800 | 962996-1 | 500 | 878482 | 734285-2 |

***) Contact Material:**

xxx-1 = CuNiSi
xxx-4 = CuFe2

♦) This Applicator and Hand Tool Part Number is only one of a part number selection.
Please call your local Tyco Electronics representative for personal assistance or visit our website.

Note: All Part Numbers are RoHS and ELV compliant.

Diameter 1.5 mm Socket Contacts with Single Wire Sealing System

| Wire Size Range (mm ²) | Insulation Diameter (mm) | | Material and Finish | Part Numbers | | | | Applicator ♦ | Hand Tool ♦ |
|---------------------------------------|--------------------------|---------|---------------------|--------------|------------------|-------------|------------------|--------------|-------------|
| | FLK | FLR | | Strip Form | Package Quantity | Loose-Piece | Package Quantity | | |
| 0.2–0.4 | – | 1.2–2.1 | tin plated | 929988-1 | 4,000 | 962997-1 | 500 | 878484 | 734289-1 |
| | | | silver plated | 929988-2 | 4,000 | 962997-2 | 500 | | |
| | | | tin plated | 929989-1 | 4,000 | 962998-1 | 500 | | |
| | | | silver plated | 929989-7 | 4,000 | 962998-7 | 500 | | |
| 0.5–1.0 | – | 1.2–2.1 | gold plated | 929989-8 | 4,000 | – | – | 878485 | 734289-1 |
| | | | plain | 1-929989-0 | 4,000 | 1-962998-0 | 500 | | |
| | | | tin plated | 929989-4 | 4,000 | 962998-4 | 500 | | |
| ≥1.0–2.5 | – | 2.2–3.0 | tin plated | 929990-1 | 3,800 | 962999-1 | 500 | 878486 | 734289-2 |
| | | | tin plated | 929990-4 | 3,800 | 962999-4 | 500 | | |
| | | | silver plated | 929990-7 | 3,800 | 962999-7 | 500 | | |
| | | | plain | 1-929990-0 | 3,800 | 1-962999-0 | 500 | | |

***) Contact Material:**

xxx-1 = CuNiSi
xxx-2 = CuNiSi
xxx-4 = CuFe2
xxx-7 = CuNiSi
xxx-8 = CuNiSi
1-xxx-0 = CuNi18Zn20

♦) This Applicator and Hand Tool Part Number is only one of a part number selection.
Please call your local Tyco Electronics representative for personal assistance or visit our website.

Note: All Part Numbers are RoHS and ELV compliant.

Pin Contacts

Diameter 1.5 mm Pin Contacts with Single Wire Sealing System

| Wire Size Range (mm ²) | Insulation Diameter (mm) | | Material and Finish | Part Numbers | | | | Applicator ♦ | Hand Tool ♦ |
|---------------------------------------|--------------------------|---------|---------------------|--------------|------------------|-------------|------------------|--------------|-------------|
| | FLK | FLR | | Strip Form | Package Quantity | Loose-Piece | Package Quantity | | |
| 0.2–0.4 | – | 1.2–2.1 | tin plated | 1703012-1 | 4,000 | 1703016-1 | 500 | 878484 | 734289-1 |
| | | | | 1703012-4 | 4,000 | 1703016-4 | 500 | | |
| 0.5–1.0 | – | 1.2–2.1 | tin plated | 1703013-1 | 3,500 | 1703017-1 | 500 | 878485 | 734289-1 |
| | | | silver plated | 1703013-2 | 3,500 | 1703017-2 | 500 | | |
| | | | gold plated | 1703013-8 | 3,500 | – | – | | |
| | | | tin plated | 1703013-4 | 3,500 | 1703017-4 | 500 | | |
| ≥1.0–2.5 | – | 2.2–3.0 | tin plated | 1703014-1 | 3,500 | 1703018-1 | 500 | 878486 | 734289-2 |
| | | | | 1703014-4 | 3,500 | 1703018-4 | 500 | | |

***) Contact Material:**

- xxx-1 = CuNiSi
- xxx-2 = CuNiSi
- xxx-4 = CuFe2
- xxx-8 = CuNiSi

♦) This Applicator and Hand Tool Part Number is only one of a part number selection.
Please call your local Tyco Electronics representative for personal assistance or visit our website.

Note: All Part Numbers are RoHS and ELV compliant.

Socket and Pin Contacts

Technical Features

Wire Size Range:
0.2–4.0 mm²

Insulation Diameter:
1.15–3.6 mm

Contact Material:
CuNiSi,
CuFe2

Contact Finish:
Tin plated,
silver plated,
gold plated

Temperature Range
–40 °C to +130 °C (tin plated)
–40 °C to +140 °C (silver plated)
–40 °C to +150 °C (gold plated)

Current Carrying Capacity:
Up to 40 A max.

Product Specification:
108-18027

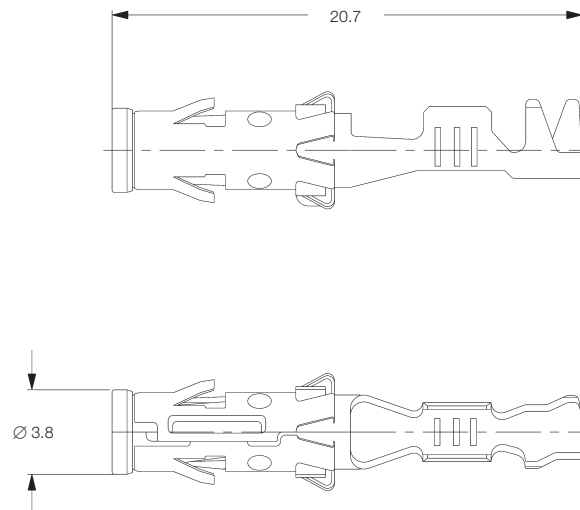
Application Specification:
114-18020

Extraction Tool:
Part No. **1-1579007-8**

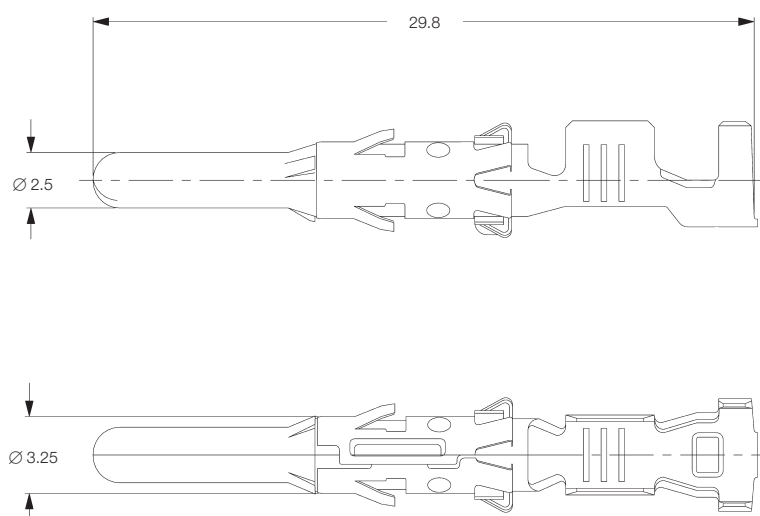
Spare Tube:
Part No. **4-1579007-7**

Terminal Mounting Tool:
(for 0.2–1.0 mm²)
Part No. **3-1579007-2**

Socket Contact



Pin Contact



Socket Contacts

Diameter 2.5 mm Socket Contacts

| Wire Size Range (mm ²) | Insulation Diameter (mm) | | Material and Finish | Part Numbers | | | | Applicator ♦ | Hand Tool ♦ |
|---------------------------------------|--------------------------|----------|---------------------|--------------|------------------|-------------|------------------|--------------|-------------|
| | FLK | FLR | | Strip Form | Package Quantity | Loose-Piece | Package Quantity | | |
| 0.2–0.4 | – | 1.15–1.6 | tin plated | 929969-1 | 3,000 | 962976-1 | 500 | 878480 | 734285-1 |
| | | | tin plated | 929970-1 | 3,000 | 962977-1 | 500 | | |
| 0.5–1.0 | – | 1.4–2.1 | silver plated | 929970-7 | 3,000 | 962977-7 | 500 | 878481 | 734285-1 |
| | | | gold plated | 929970-8 | 3,000 | 962977-8 | 500 | | |
| | | | tin plated | 929971-1 | 3,000 | 962978-1 | 500 | | |
| ≥1.0–2.5 | – | 1.9–3.0 | silver plated | 929971-7 | 3,000 | 962978-7 | 500 | 878482 | 734285-2 |
| | | | gold plated | 929971-8 | 3,000 | 962978-8 | 500 | | |
| ≥2.5–4.0 | – | 2.7–3.0 | tin plated | 929972-1 | 3,000 | 962979-1 | 500 | 878483 | 734285-3 |

***) Contact Material:**

xxx-1 = CuNiSi
xxx-7 = CuNiSi
xxx-8 = CuNiSi

♦) This Applicator and Hand Tool Part Number is only one of a part number selection.
Please call your local Tyco Electronics representative for personal assistance or visit our website.

Note: All Part Numbers are RoHS and ELV compliant.

Diameter 2.5 mm Socket Contacts with Single Wire Sealing System

| Wire Size Range (mm ²) | Insulation Diameter (mm) | | Material and Finish | Part Numbers | | | | Applicator ♦ | Hand Tool ♦ |
|---------------------------------------|--------------------------|---------|---------------------|--------------|------------------|-------------|------------------|--------------|-------------|
| | FLK | FLR | | Strip Form | Package Quantity | Loose-Piece | Package Quantity | | |
| 0.2–0.4 | – | 1.2–2.1 | tin plated | 929973-1 | 3,000 | 962980-1 | 500 | 878484 | 734289-1 |
| | | | tin plated | 929974-1 | 3,000 | 962981-1 | 500 | | |
| | | | gold plated | 929974-8 | 3,000 | 962981-8 | 500 | | |
| 0.5–1.0 | – | 1.2–2.1 | silver plated | 929974-7 | 3,000 | 962981-7 | 500 | 878485 | 734289-1 |
| | | | 1-929974-4 | 3,000 | 1-962981-4 | 500 | | | |
| | | | tin plated | 929974-4 | 3,000 | 962981-4 | 500 | | |
| | | | tin plated | 929975-1 | 3,000 | 962982-1 | 500 | | |
| ≥1.0–2.5 | – | 2.2–3.0 | gold plated | 929975-8 | 3,000 | 962982-8 | 500 | 878486 | 734289-2 |
| | | | silver plated | 929975-7 | 3,000 | 962982-7 | 500 | | |
| | | | tin plated | 929975-4 | 3,000 | 962982-4 | 500 | | |

***) Contact Material:**

xxx-1 = CuNiSi
xxx-4 = CuFe2
xxx-7 = CuNiSi
xxx-8 = CuNiSi
1-xxx-4 = CuNiSi

♦) This Applicator and Hand Tool Part Number is only one of a part number selection.
Please call your local Tyco Electronics representative for personal assistance or visit our website.

Note: All Part Numbers are RoHS and ELV compliant.

Pin Contacts

Diameter 2.5 mm Pin Contacts

| Wire Size Range (mm ²) | Insulation Diameter (mm) | | Material and Finish | Part Numbers | | | | Applicator ♦ | Hand Tool ♦ |
|---------------------------------------|--------------------------|----------|---------------------|--------------|------------------|-------------|------------------|--------------|-------------|
| | FLK | FLR | | Strip Form | Package Quantity | Loose-Piece | Package Quantity | | |
| 0.2–0.4 | – | 1.15–1.6 | tin plated | 929962-1 | 3,500 | 962966-1 | 500 | 878480 | 734285-1 |
| | | | tin plated | 929963-1 | 3,500 | 962967-1 | 500 | | |
| 0.5–1.0 | – | 1.4–2.1 | gold plated | 929963-8 | 3,500 | 962967-8 | 500 | 878481 | 734285-1 |
| | | | | 1-929963-0 | 3,500 | 1-962967-0 | 500 | | |
| ≥1.0–2.5 | – | 1.9–3.0 | tin plated | 929964-1 | 3,500 | 962968-1 | 500 | 878482 | 734285-2 |
| | | | gold plated | 1-929964-0 | 3,500 | 1-962968-0 | 500 | | |
| ≥2.5–4.0 | – | 2.7–3.6 | tin plated | 929965-1 | 2,500 | 962969-1 | 500 | 878483 | 734285-3 |

***) Contact Material:**

- xxx-1 = CuNiSi
- xxx-4 = CuFe2
- xxx-8 = CuNiSi
- 1-xxx-0 = CuFe2

♦) This Applicator and Hand Tool Part Number is only one of a part number selection.
Please call your local Tyco Electronics representative for personal assistance or visit our website.

Note: All Part Numbers are RoHS and ELV compliant.

Diameter 2.5 mm Pin Contacts with Single Wire Sealing System

| Wire Size Range (mm ²) | Insulation Diameter (mm) | | Material and Finish | Part Numbers | | | | Applicator ♦ | Hand Tool ♦ |
|---------------------------------------|--------------------------|---------|---------------------|--------------|------------------|-------------|------------------|--------------|-------------|
| | FLK | FLR | | Strip Form | Package Quantity | Loose-Piece | Package Quantity | | |
| 0.2–0.4 | – | 1.2–2.1 | tin plated | 929966-1 | 3,500 | 962970-1 | 500 | 878484 | 734289-1 |
| | | | silver plated | 929966-7 | 3,500 | 962970-7 | 500 | | |
| 0.5–1.0 | – | 1.2–2.1 | tin plated | 929967-1 | 3,000 | 962971-1 | 500 | 878485 | 734289-1 |
| | | | silver plated | 929967-7 | 3,000 | 962971-7 | 500 | | |
| | | | gold plated | 1-929967-4 | 3,000 | 1-962971-4 | 500 | | |
| | | | gold plated | 929967-8 | 3,000 | 962971-8 | 500 | | |
| ≥1.0–2.5 | – | 2.2–3.0 | tin plated | 1-929967-0 | 3,000 | 1-962971-0 | 500 | 878486 | 734289-2 |
| | | | tin plated | 929967-4 | 3,000 | 962971-4 | 500 | | |
| | | | tin plated | 929968-1 | 3,000 | 962972-1 | 500 | | |
| | | | silver plated | 929968-7 | 3,000 | 962972-7 | 500 | | |
| | | | gold plated | 929968-8 | 3,000 | 962972-8 | 500 | | |
| | | | tin plated | 929968-4 | 3,000 | 962972-4 | 500 | | |

***) Contact Material:**

- xxx-1 = CuNiSi
- xxx-4 = CuFe2
- xxx-7 = CuNiSi
- xxx-8 = CuNiSi
- 1-xxx-0 = CuFe2
- 1-xxx-4 = CuNiSi

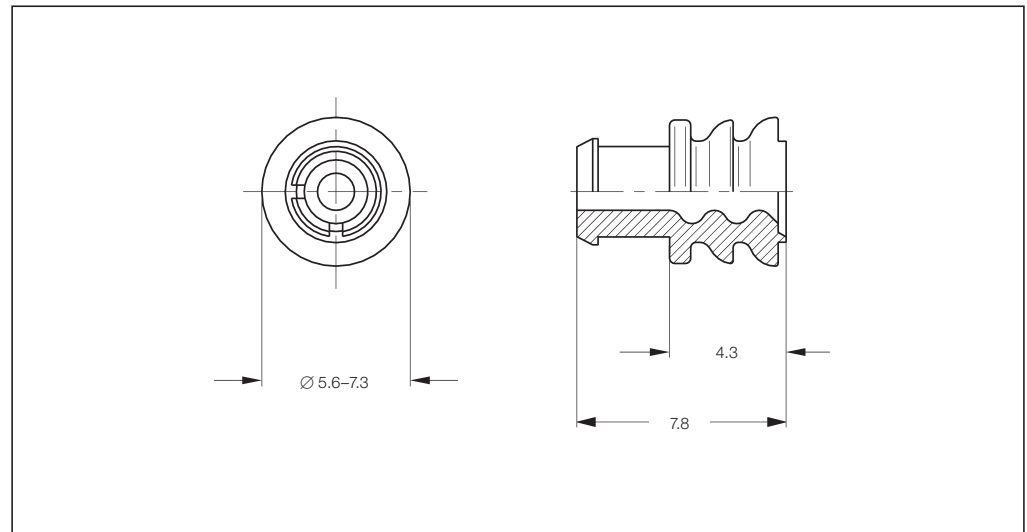
♦) This Applicator and Hand Tool Part Number is only one of a part number selection.
Please call your local Tyco Electronics representative for personal assistance or visit our website.

Note: All Part Numbers are RoHS and ELV compliant.

Single Wire Seals and Sealing Plugs

Technical Features

- 1.5 mm and 2.5 mm system accommodates insulation diameters of 1.2–3.7 mm
- Made from silicon rubber material
- Wire seal is crimped simultaneously with the contact



Diameter 1.5 mm Pin and Socket Contact

| Insulation Diameter (mm) | | Color | Part Number | Package Quantity |
|--------------------------|---------|------------|--------------|------------------|
| FLK | FLR | | | |
| – | 1.2–2.1 | Light Blue | 828904-1 | 1,000 |
| | | | 828904-2 | 10,000 |
| | | | 828904-3 | 5,000 |
| – | 2.2–3.0 | White | 828905-1 | 10,000 |
| | | | Sealing Plug | Natural |
| | | Green | 828922-2 | 10,000 |

Diameter 2.5 mm Pin and Socket Contact

| Insulation Diameter (mm) | | Color | Part Number | Package Quantity |
|--------------------------|--|---------|-------------|------------------|
| FLK | FLR | | | |
| – | 1.2–2.1 | Gray | 828920-1 | 5,000 |
| – | 2.2–3.0 | Violet | 828921-1 | 5,000 |
| | | Yellow | 828921-2 | 5,000 |
| | Sealing Plug for cavities up to diameter 3.0 mm wire | Natural | 828922-1 | 10,000 |
| | | Green | 828922-2 | 10,000 |
| | Sealing Plug for cavities up to diameter 3.7 mm wire | Natural | 828986-1 | 5,000 |

Introduction



The diameter 1.5 mm and diameter 2.5 mm Connector System offers receptacle and pin housings with capability for waterproofing and resistance to conditions of extreme vibration.

The system is designed for electronic and electrical applications in motor vehicles, where vibrations and mechanical stress, in the long term, can affect the quality on the contacts system.

Features

- High reliability status supported for long term use
- High vibration level supported
- Perfect design to avoid quality problems, reduce manufacturing and service cost
- Integrated secondary locking device delivered in pre-locked position
- Wire-to-Wire sealed and unsealed connectors (SWS)
- Wire-to-Board sealed and unsealed connectors (SWS)
- Polarisation, several keyings
- Locking mechanism for smaller connectors/mating aid for higher numbers of ways

Diameter 2.5 mm Connector Housings according ISO 15170 (DIN 72585)

Technical Features

No. of Positions:

2–4 Positions

Housing Material:

PBT GF 30 / PA 46-GF 30

Wire Size Range:

2.5 mm² Max.

Product Specification:

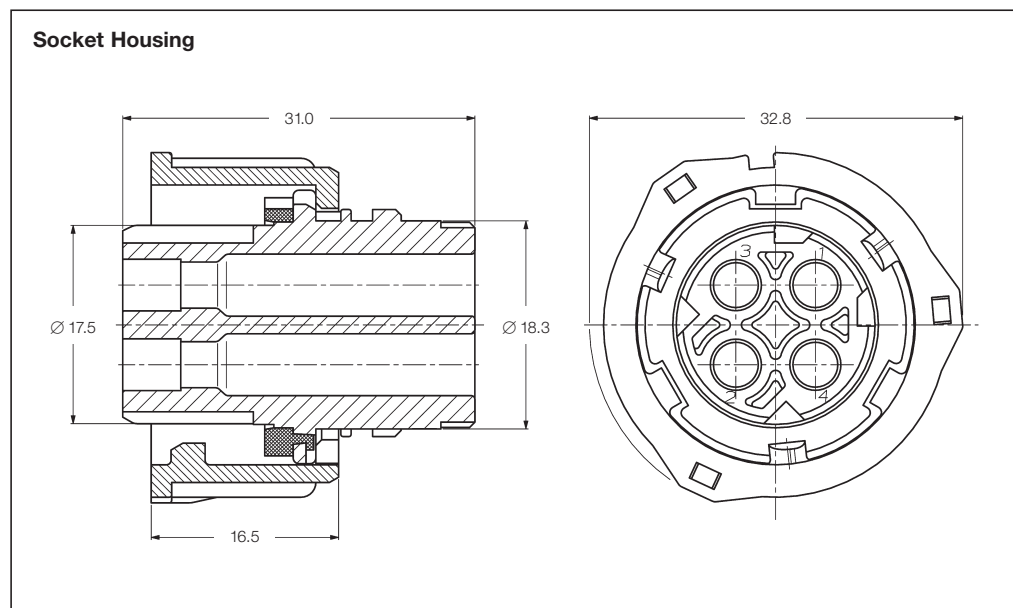
108-18621

Application Specification:

114-18255-0

Product Group Drawing:

1355392



Socket Housings

| No. of Positions | Keying Options | Housing Color | Part Numbers | | | |
|------------------|----------------|---------------|----------------|-------|--------------------|--|
| | | | Socket Housing | Cover | Mating Pin Housing | Mating PCB Header Right-Angle Vertical |
| 2 | | | 1-967325-3 | * | 1-967402-3 | |
| 3 | 1 | Black | 1-967325-2 | * | 1-967402-2 | – |
| 4 | | | 1-967325-1 | * | 1-967402-1 | |
| 2 | | | 2-967325-3 | * | 2-967402-3 | |
| 3 | 2 | Gray | 2-967325-2 | * | 2-967402-2 | – |
| 4 | | | 2-967325-1 | * | 2-967402-1 | |
| 2 | | | 3-967325-3 | | | |
| 3 | 3 | Green | 3-967325-2 | * | – | – |
| 4 | | | 3-967325-1 | | | |
| 2 | | | 4-967325-3 | | | |
| 3 | 4 | Blue | 4-967325-2 | * | – | – |
| 4 | | | 4-967325-1 | | | |

*) Suitable Covers/Adapters see Accessories.

Diameter 2.5 mm Connector Housings according ISO 15170 (DIN 72585)

Technical Features

No. of Positions:
2–4 Positions

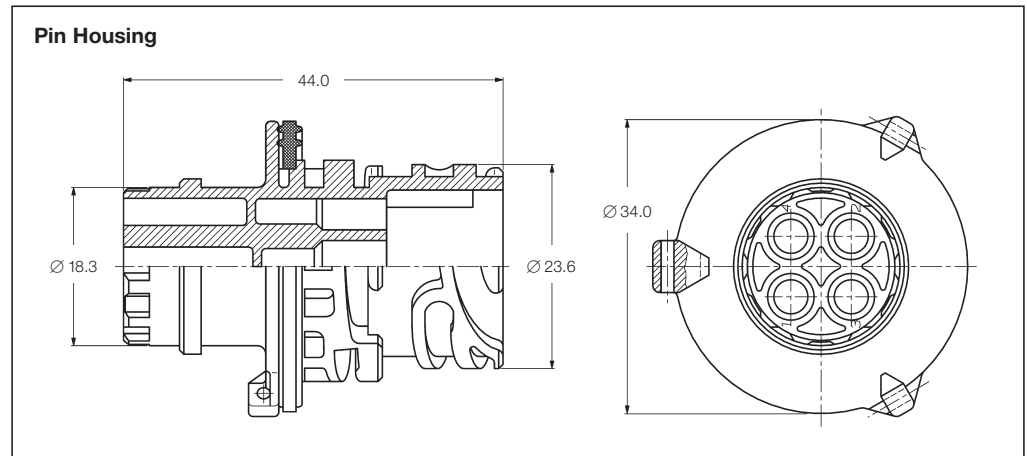
Housing Material:
PBT GF 20

Wire Size Range:
2.5 mm² Max.

Product Specification:
108-18621

Application Specification:
114-18255-0

Product Group Drawing:
1355392



Pin Housings

| No. of Positions | Keying Options | Housing Color | Part Numbers | | | |
|------------------|----------------|---------------|--------------|-------|-----------------------|--|
| | | | Pin Housing | Cover | Mating Socket Housing | Mating PCB Header Right-Angle Vertical |
| | | | | | 1-967325-3 | |
| 2 | | | 1-967402-3 | | 1-967325-2 | |
| 3 | 1 | Black | 1-967402-2 | * | 1-967325-1 | - |
| 4 | | | 1-967402-1 | | 6-968968-3 | |
| | | | | | 6-968968-2 | |
| | | | | | 6-968968-1 | |
| 2 | | | 2-967402-3 | | 2-967325-3 | |
| 3 | 2 | Gray | 2-967402-2 | * | 2-967325-2 | - |
| 4 | | | 2-967402-1 | | 2-967325-1 | |

*) Suitable Covers/Adapters see Accessories.

Technical Features

No. of Positions:
4 Positions

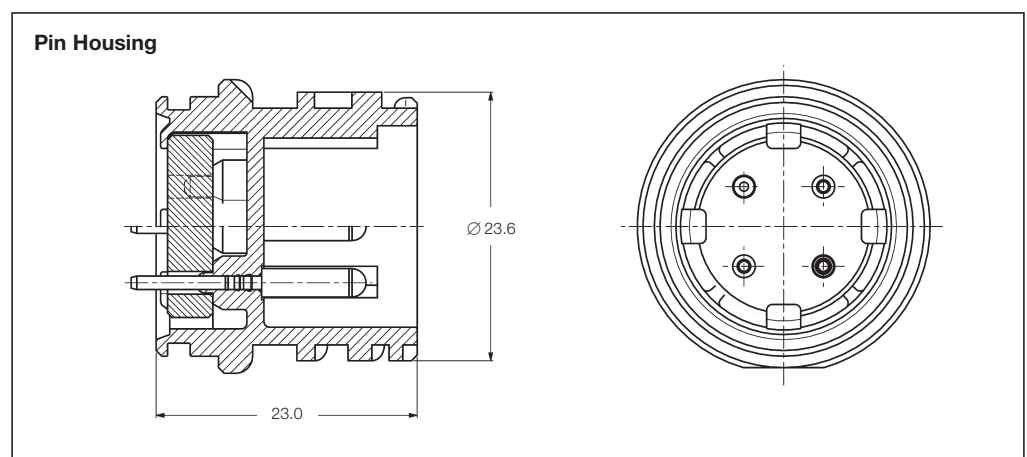
Housing Material:
PBT GF 20

Material and Finish:
CuZn, tin plated

Wire Size Range:
2.5 mm² Max.

Product Specification:
108-18621

Application Specification:
—



Pin Housings

| No. of Positions | Keying Options | Housing Color | Part Numbers | | | |
|------------------|----------------|---------------|-------------------------------|-------|-----------------------------|--|
| | | | Pin Housing with Ferrite Disc | Cover | Mating Socket Housing | Mating PCB Header Right-Angle Vertical |
| 4 | 1 | Black | 1703780-1 | - | 1-967325-1 or 1-968968-1 | - |

Diameter 2.5 mm Connector Housings according ISO 15170 (DIN 72585)

Technical Features

No. of Positions:
2–4 Positions

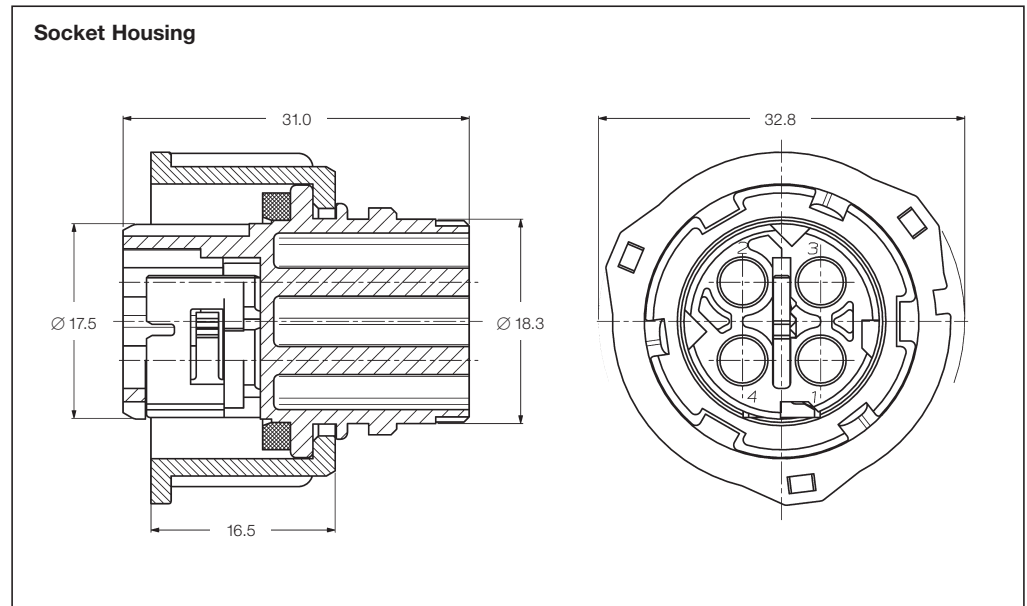
Housing Material:
PBT GF 30 / PA 46-GF 30

Wire Size Range:
2.5 mm² Max.

Product Specification:
108-18621

Application Specification:
114-18255-0

Product Group Drawing:
1355392



Socket Housings with Secondary Locking

| No. of Positions | Keying Options | Housing Color | Part Numbers | | | |
|------------------|----------------|---------------|----------------|-------|--------------------|--|
| | | | Socket Housing | Cover | Mating Pin Housing | Mating PCB Header Right-Angle Vertical |
| 2 | | | 1-968968-3 | * | 1-967402-3 | |
| 3 | 1 | Black | 1-968968-2 | * | 1-967402-2 | – |
| 4 | | | 1-968968-1 | * | 1-967402-1 | |
| 2 | 2 | Gray | 2-968968-3 | * | 2-967402-3 | |

*) Suitable Covers/Adapters see Accessories.

Pin Housings, Solder Type according ISO 15170 (DIN 72585)

Technical Features

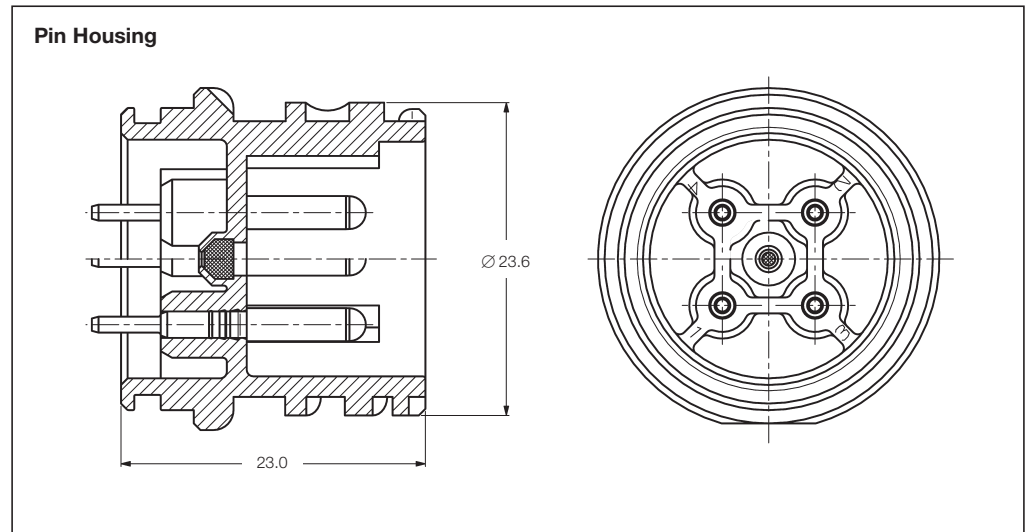
No. of Positions:
2/4 Positions

Housing Material:
PBT GF 20

Material and Finish:
CuZn, tin plated
CuZn, gold plated

Product Specification:
108-18621

Application Specification:
—



Pin Housing

| No. of Positions | Keying Options | Housing Color | Part Numbers | | | |
|------------------|----------------|---------------|-------------------------|--|-----------------|-----------------------|
| | | | Right-Angle Pin Housing | Vertical Pin Housing with Ventilation Disk | Contact Plating | Mating Socket Housing |
| 2/4 | 1 | Black | — | 1394324-1 | Tin | 967325 or |
| | | | | 1394324-2 | Tin | 968968 |
| | | | | 1394324-3 | Gold | — |
| 3 | 2 | Gray | — | 1394324-4 | Gold | — |

Note: All Part Numbers are RoHS and ELV compliant.

Technical Features

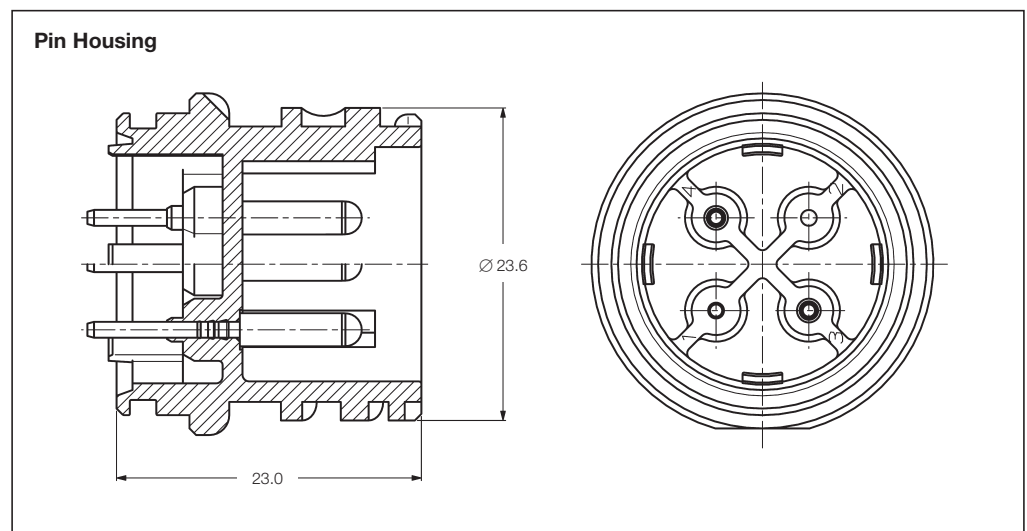
No. of Positions:
4 Positions

Housing Material:
PBT GF 20

Material and Finish:
CuZn, gold plated

Product Specification:
108-18621

Application Specification:
—



Pin Housing

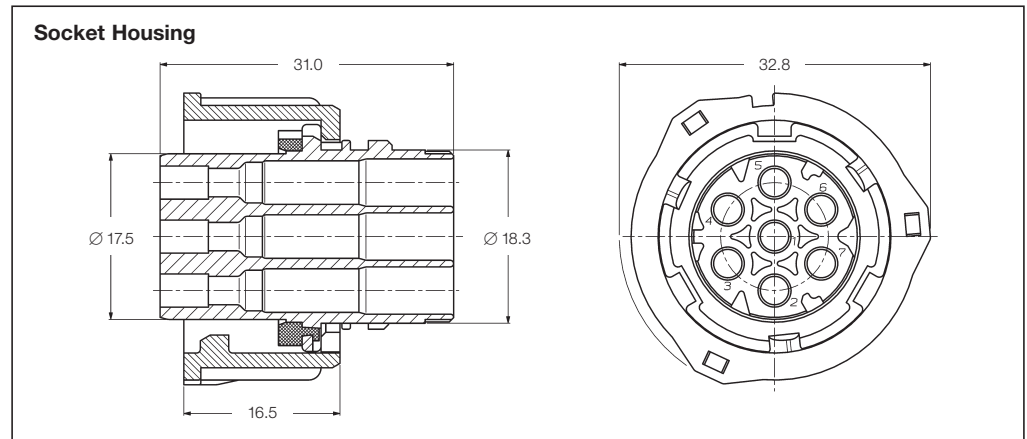
| No. of Positions | Keying Options | Housing Color | Part Numbers | | |
|------------------|----------------|---------------|-------------------------|----------------------|-----------------------|
| | | | Right-Angle Pin Housing | Vertical Pin Housing | Mating Socket Housing |
| 4 | 1 | Black | — | 1241598-1 | 967325 or 968968 |

Note: All Part Numbers are RoHS and ELV compliant.

Diameter 1.5 mm Connector Housings

Technical Features

No. of Positions:
5–7 Positions
Housing Material:
PBT GF 30 / PA 46-GF 30
Wire Size Range:
2.5 mm² Max.
Product Specification:
108-18622
Application Specification:
114-18255-0
Product Group Drawing:
1355392



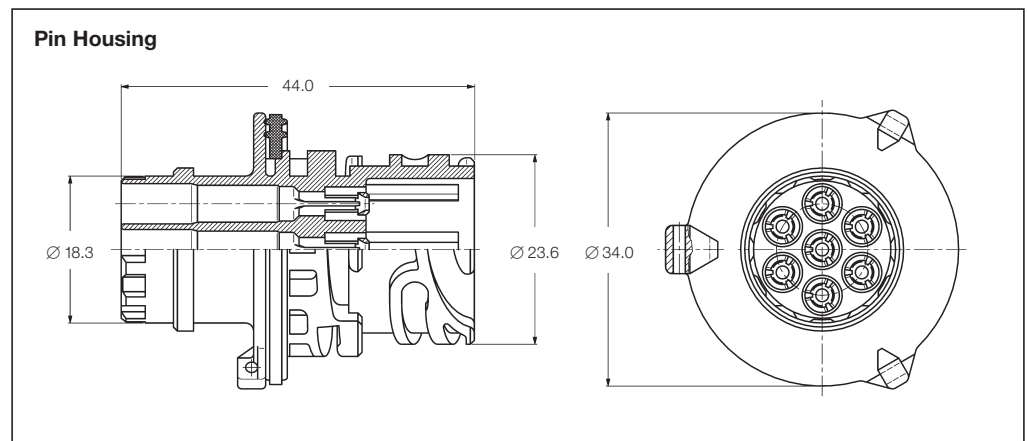
Socket Housings

| No. of Positions | Keying Options | Housing Color | Part Numbers | | | | |
|------------------|----------------|---------------|----------------|-------|--------------------|-------------------------------|----------------------------|
| | | | Socket Housing | Cover | Mating Pin Housing | Mating PCB Header Right-Angle | Mating PCB Header Vertical |
| 5 | A | Black | 967650-3 | * | 1718230-3 | – | – |
| 6 | A | Black | 967650-2 | * | 1718230-2 | – | – |
| | | | 967650-4 | * | – | – | – |
| 7 | A | Black | 967650-1 | * | 1718230-1 | – | – |
| | | Blue | 1-967650-1 | * | 1-1718230-1 | – | – |
| | | Gray | 2-967650-1 | * | 2-1718230-1 | – | – |
| | | Green | 3-967650-1 | * | 3-1718230-1 | – | – |

*) Suitable Covers/Adapters see Accessories.

Technical Features

No. of Positions:
5–7 Positions
Housing Material:
PBT GF 20
Wire Size Range:
2.5 mm² Max.
Product Specification:
108-18622
Application Specification:
114-18255-0
Product Group Drawing:
1355392



Pin Housings

| No. of Positions | Keying Options | Housing Color | Part Numbers | | | | |
|------------------|----------------|---------------|--------------|-------|-----------------------|-------------------------------|----------------------------|
| | | | Pin Housing | Cover | Mating Socket Housing | Mating PCB Header Right-Angle | Mating PCB Header Vertical |
| 5 | A | Black | 1718230-3 | * | 967650-3 | – | – |
| 6 | A | Black | 1718230-2 | * | 967650-2 | – | – |
| | | | 1718230-1 | * | 967650-1 | – | – |
| 7 | A | Black | 1-1718230-1 | * | 1-967650-1 | – | – |
| | | Blue | 1-1718230-1 | * | 1-967650-1 | – | – |
| | | Gray | 2-1718230-1 | * | 2-967650-1 | – | – |
| | | Green | 3-1718230-1 | * | 3-967650-1 | – | – |

*) Suitable Covers/Adapters see Accessories.

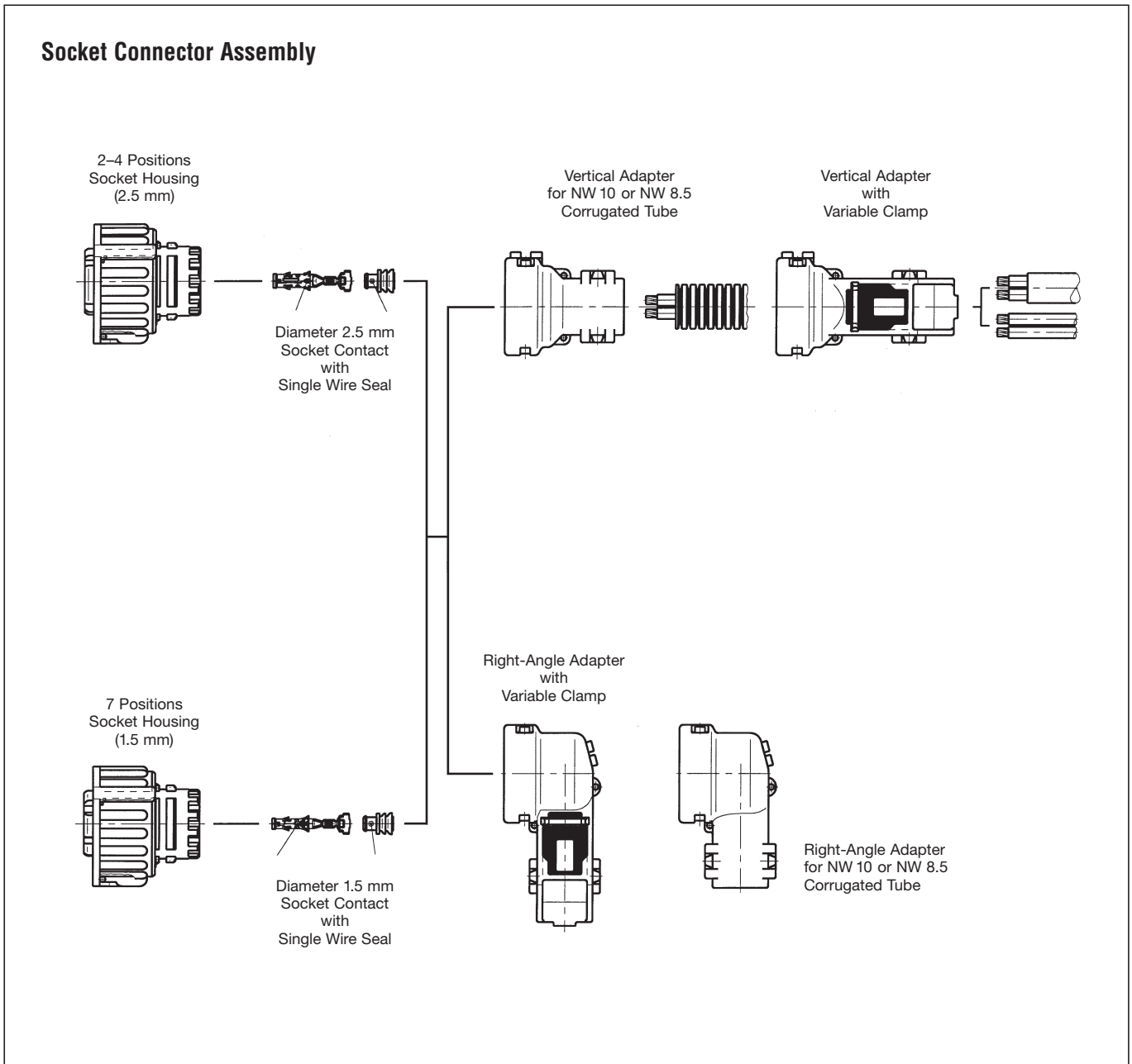
Accessories

Accessories

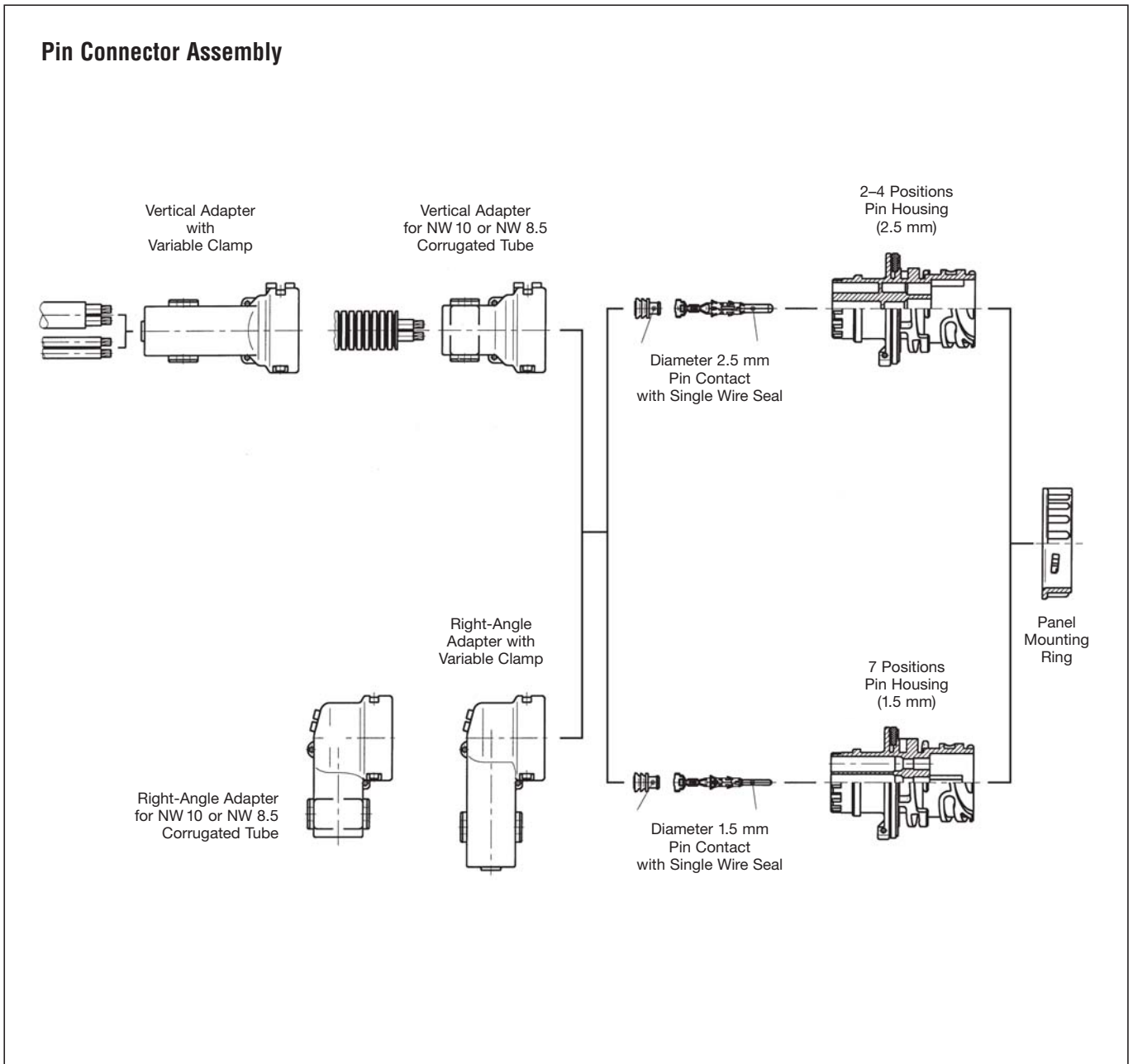


| Description | Color | Part No. |
|--|-------|-----------|
| Mounting ring for pin housing | Black | 965687-1 |
| Front cover for 2–4 pos. socket housing 967325 | Black | 185636-1 |
| Front cover for 2–4 pos. and 5–7 pos. pin housing 967402 and 1718230 | Black | 1394277-1 |
| | | 1394277-2 |
| Right-angle adapter with universal clamp | Black | 965576-1 |
| Vertical adapter with universal clamp | Black | 965784-1 |
| Right-angle adapter for NW 7.5 mm diameter corrugated tubing | Black | 185793-1 |
| Right-angle adapter for NW 8.5 mm diameter corrugated tubing | Black | 965577-1 |
| Right-angle adapter for NW 10 mm diameter corrugated tubing | Black | 965783-1 |
| Vertical adapter for NW 7.5 mm diameter corrugated tubing | Black | 185792-1 |
| Vertical adapter for NW 8.5 mm diameter corrugated tubing | Black | 965785-1 |
| Vertical adapter for NW 10 mm diameter corrugated tubing | Black | 965786-1 |
| Right-angle adapter 4/7 position for hose | Black | 1534789-1 |
| Vertical adapter 4/7 position for hose | Black | 1534791-1 |
| Vertical adapter 4/7 position for jacketed cable 5.2–6.5 mm | Black | 1418916-1 |
| Vertical adapter 4/7 position for jacketed cable 6.0–9.5 mm | Black | 1418917-1 |
| Right-angle adapter 4/7 position for jacketed cable 5.2–6.5 mm | Black | 1418918-1 |
| Right-angle adapter 4/7 position for jacketed cable 6.0–9.5 mm | Black | 1418919-1 |

Sealed Socket Connector Assembly



Sealed Pin Connector Assembly



Sealed Diameter 1.5 mm/Diameter 2.5 mm Pin and Socket Housings

Technical Features

No. of Positions:
31 Positions

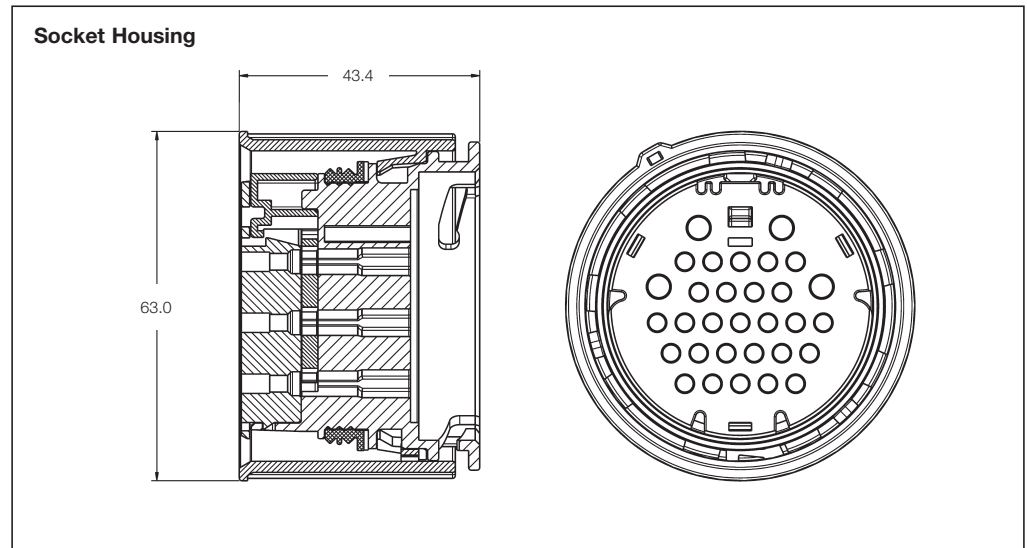
Housing Material:
PBT GF 20

Wire Size Range:

- up to 2.5 mm² FLR Max. (diameter 1.5 mm)
- up to 4.0 mm² FLR Max. (diameter 2.5 mm)

Product Specification:
108-18742

Application Specification:
114-18449



Sealed Mixed Socket Housing

| No. of Positions | Housing Color | Part Numbers | | | |
|------------------|---------------|----------------|-----------------------|--------------------|--|
| | | Socket Housing | Adapter Cap* | Mating Pin Housing | Mating PCB Header Right-Angle Vertical |
| 31 | Black | 1394081-1 | 1394089-1 (Vertical) | - | - |
| | | - | 1394816-1 (45° Angle) | - | - |

* For adaption to corrugated tubes NW 22.

Technical Features

No. of Positions:
31 Positions

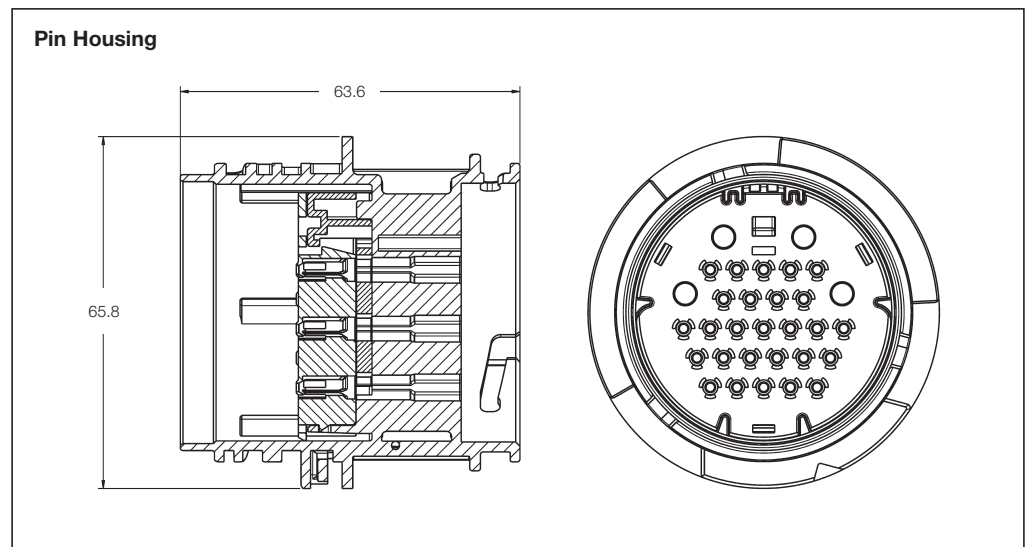
Housing Material:
PBT GF 20

Wire Size Range:

- up to 2.5 mm² FLR Max. (diameter 1.5 mm)
- up to 4.0 mm² FLR Max. (diameter 2.5 mm)

Product Specification:
108-18742

Application Specification:
114-18449



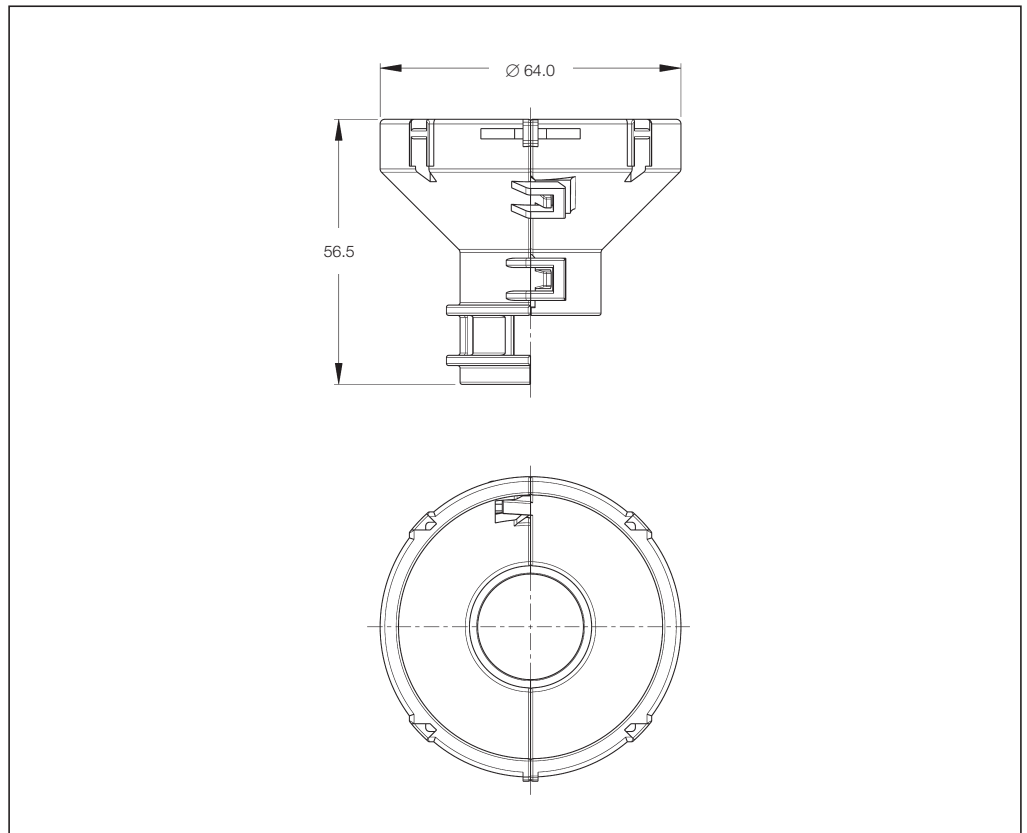
Sealed Mixed Pin Housing

| No. of Positions | Housing Color | Part Numbers | | | |
|------------------|---------------|--------------|-----------------------|-----------------------|--|
| | | Pin Housing | Adapter Cap* | Mating Socket Housing | Mating PCB Header Right-Angle Vertical |
| 31 | Black | 1718232-1 | 1394089-1 (Vertical) | - | - |
| | | - | 1394816-1 (45° Angle) | - | - |

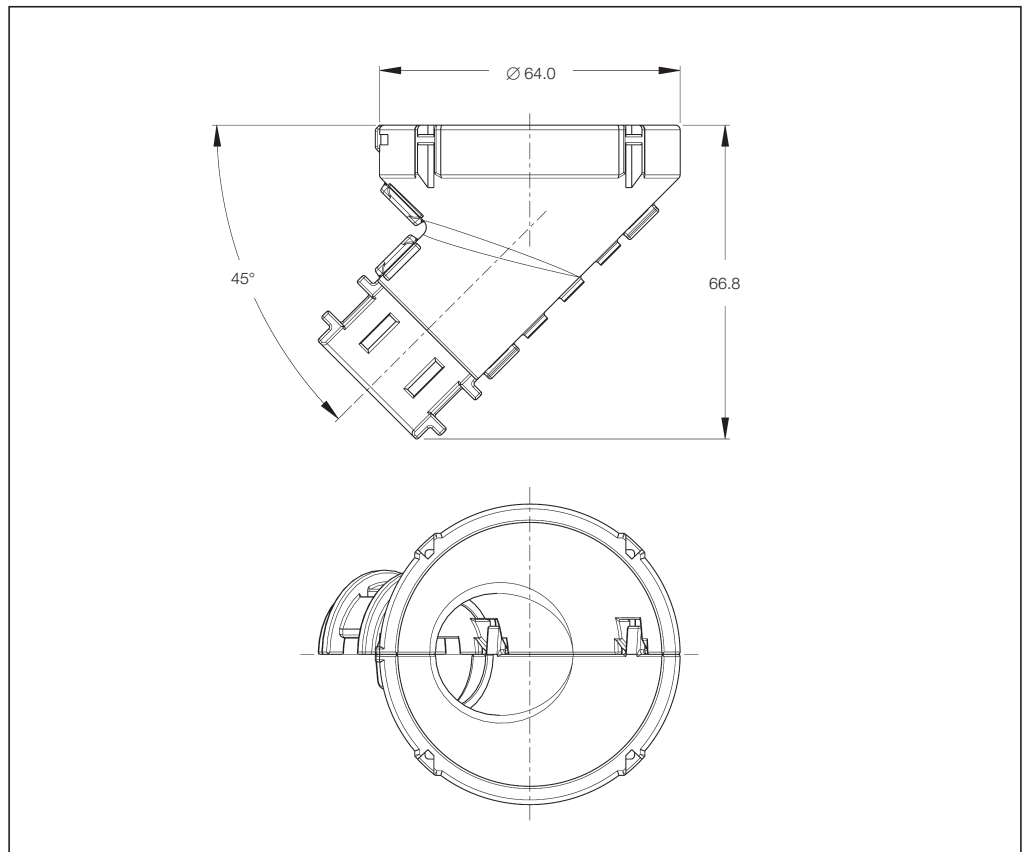
* For adaption to corrugated tubes NW 22.

Sealed Diameter 1.5 mm/Diameter 2.5 mm Pin and Socket Housings

**Cap for 31 Positions
Pin and Socket Housing
for Corrugated Tubes
nominal Width 22.0 mm**



**Cap 45° for 31 Positions
Pin and Socket Housing
for Corrugated Tubes
nominal Width 22.0 mm**



Connectors for Diesel Fuel Injector

Technical Features

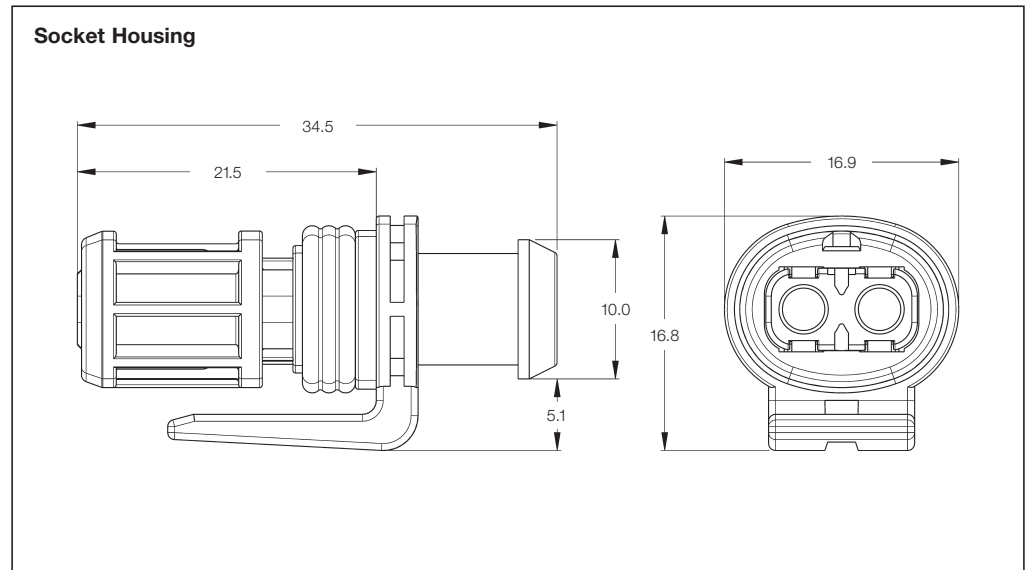
No. of Positions:
2 Positions

Housing Material:
Nylon 6.6 GF

Wire Size Range:
0.2–2.5 mm²

Product Specification:
108-3428-1

Application Specification:
114-3219



Socket Housing

| No. of Positions | Keying Options | Housing Color | Part Numbers | | | | |
|------------------|----------------|---------------|----------------|-------|--------------------|-------------------------------|----------------------------|
| | | | Socket Housing | Cover | Mating Pin Housing | Mating PCB Header Right-Angle | Mating PCB Header Vertical |
| 2 | – | Black | 1337245-3 | – | – | – | – |

Technical Features

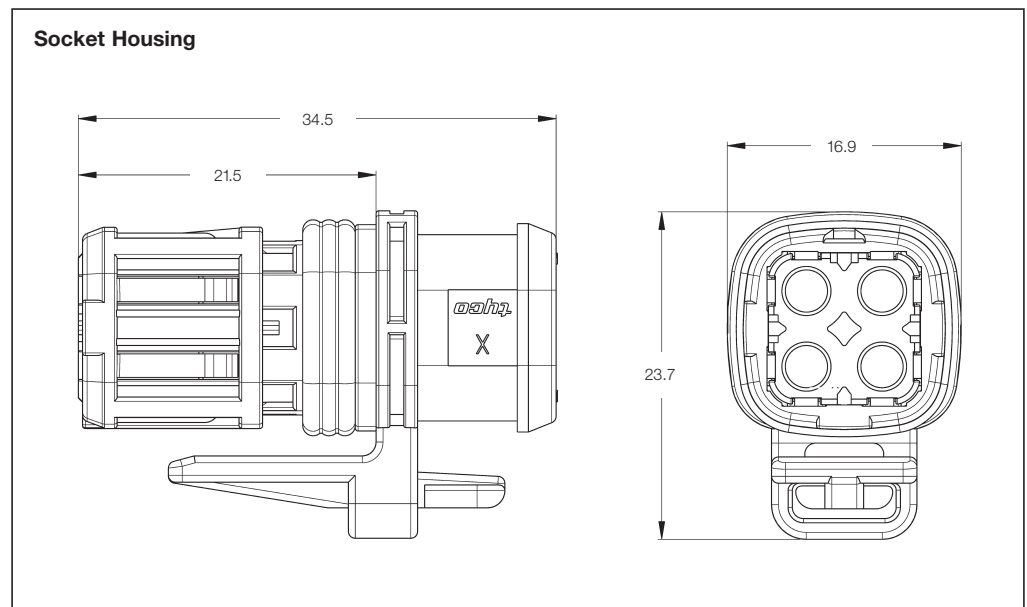
No. of Positions:
4 Positions

Housing Material:
Nylon 6.6 GF

Wire Size Range:
0.2–2.5 mm²

Product Specification:
108-3442

Application Specification:
114-3219



Socket Housing

| No. of Positions | Keying Options | Housing Color | Part Numbers | | | | |
|------------------|----------------|---------------|----------------|-------|--------------------|-------------------------------|----------------------------|
| | | | Socket Housing | Cover | Mating Pin Housing | Mating PCB Header Right-Angle | Mating PCB Header Vertical |
| 4 | – | Black | 1337352-1 | – | – | – | – |

For Special Socket Contacts see Page 26-5.

Socket Contacts for Diesel Fuel Injector Connector

Technical Features

Wire Size Range:
0.5–2.5 mm²

Insulation Diameter:
1.2–3.0 mm

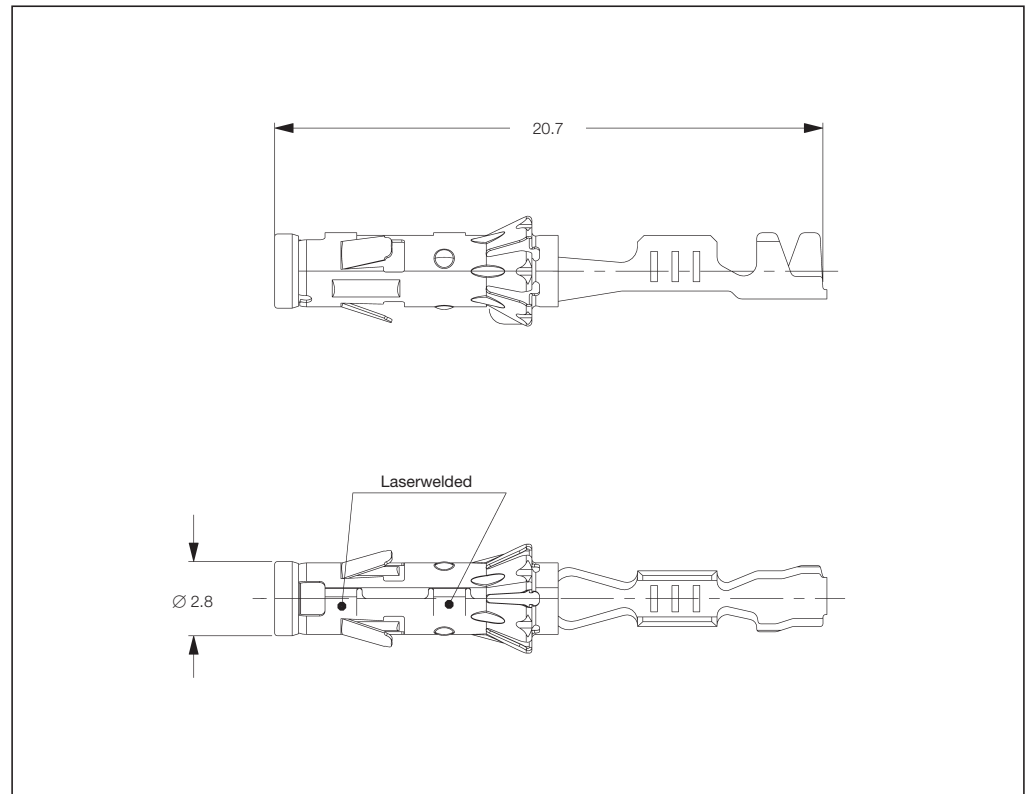
Contact Material:
CuNi18Zn20

Contact Finish:
Blank

Current Carrying Capacity:
12 A max.

Product Specification:
108-18028

Application Specification:
114-18040



Socket Contacts for Diesel Fuel Injector Connector

| Wire Size Range (mm ²) | Insulation Diameter (mm) | | Material and Finish | Part Numbers | | | | Applicator* | Hand Tool |
|---------------------------------------|-----------------------------|---------|---------------------|--------------|------------------|-------------|------------------|-------------|-----------|
| | FLK | FLR | | Strip Form | Package Quantity | Loose-Piece | Package Quantity | | |
| 0.5–1.0 | – | 1.2–2.1 | CuNi18Zn20, blank | 1-929989-0 | 4,000 | 1-962998-0 | 500 | 2-878485-2 | 734289-1 |
| 1.0–2.5 | – | 2.2–3.0 | CuNi18Zn20, blank | 1-929990-0 | 3,800 | 1-962999-0 | 500 | 2-878486-2 | 734289-2 |

* This Applicator Part Number is only one of a part number selection.
Please call your local Tyco Electronics representative for personal assistance or visit our website.

Note: All Part Numbers are RoHS and ELV compliant.

Sealed Socket Housing with Secondary Locking Device

Technical Features

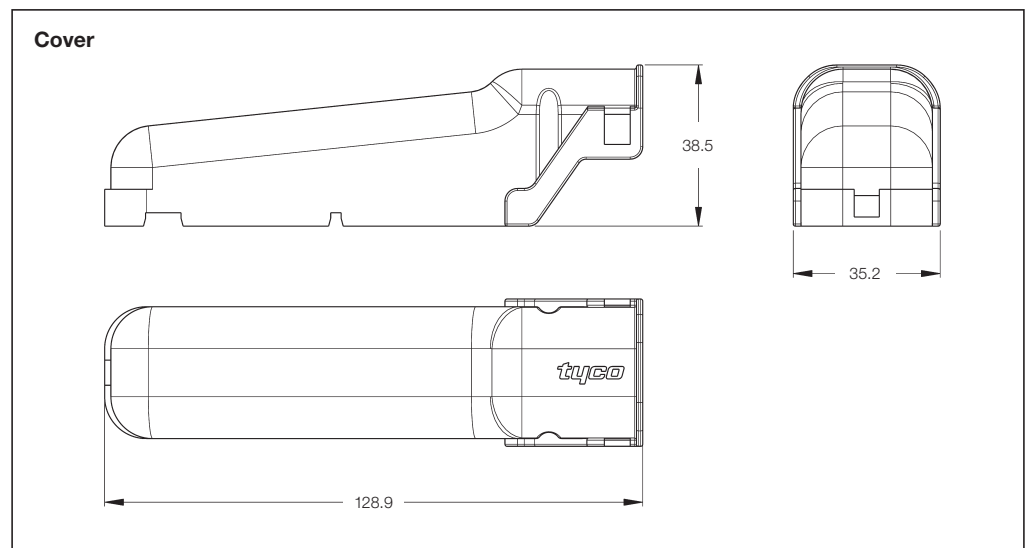
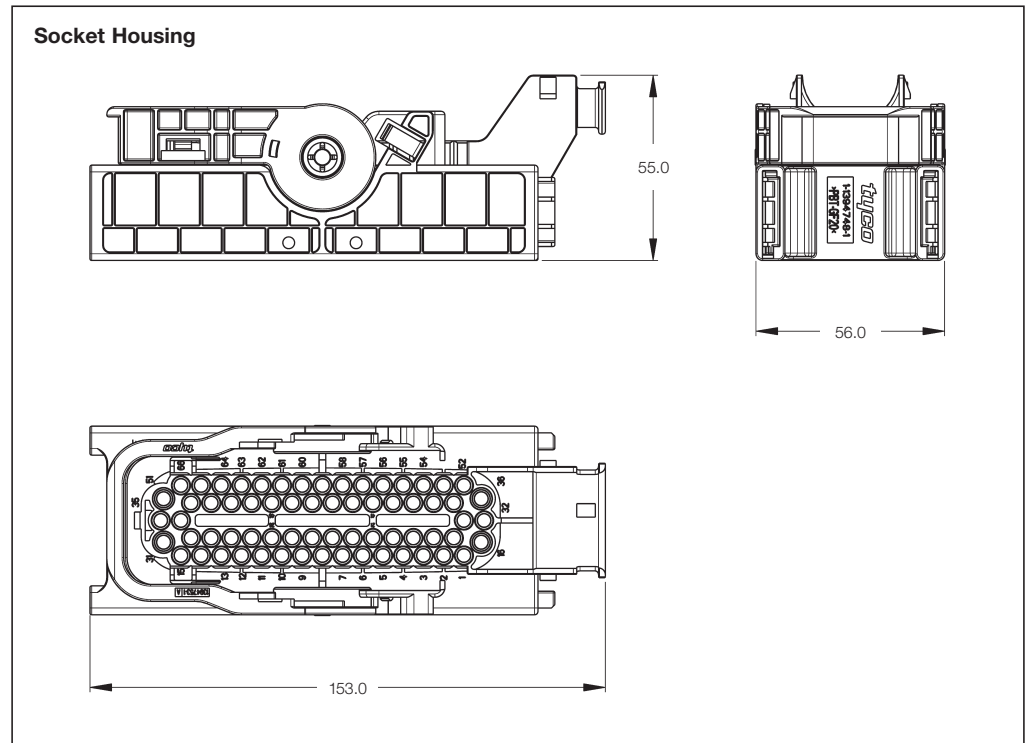
No. of Positions:
66 Positions

Housing Material:
PBT GF 20

Wire Size Range:
4.0 mm² FLR Max.

Product Specification:
108-18734

Application Specification:
114-18424



Sealed Socket Housings with Secondary Locking Device

| No. of Positions | Keying Options | Housing Color | Part Numbers | | | |
|------------------|----------------|---------------|----------------|-----------|--------------------|--|
| | | | Socket Housing | Cover | Mating Pin Housing | Mating PCB Header Right-Angle Vertical |
| 66 | A | Natural | 1-1394748-1 | 1718010-1 | 1-1394750-1 | |
| | | | 1-1394748-2 | 1718010-1 | 1-1394750-1 | |
| | B | Gray | 2-1394748-1 | 1718010-1 | 2-1394750-1 | |
| | C | Blue | 3-1394748-1 | 1718010-1 | 3-1394750-1 | |
| | D | Green | 4-1394748-1 | 1718010-1 | 4-1394750-1 | |
| | Spare Part F | Black | 8-1394748-2 | 1718010-1 | 8-1394750-1 | |

Sealed Pin Housing with Secondary Locking Device

Technical Features

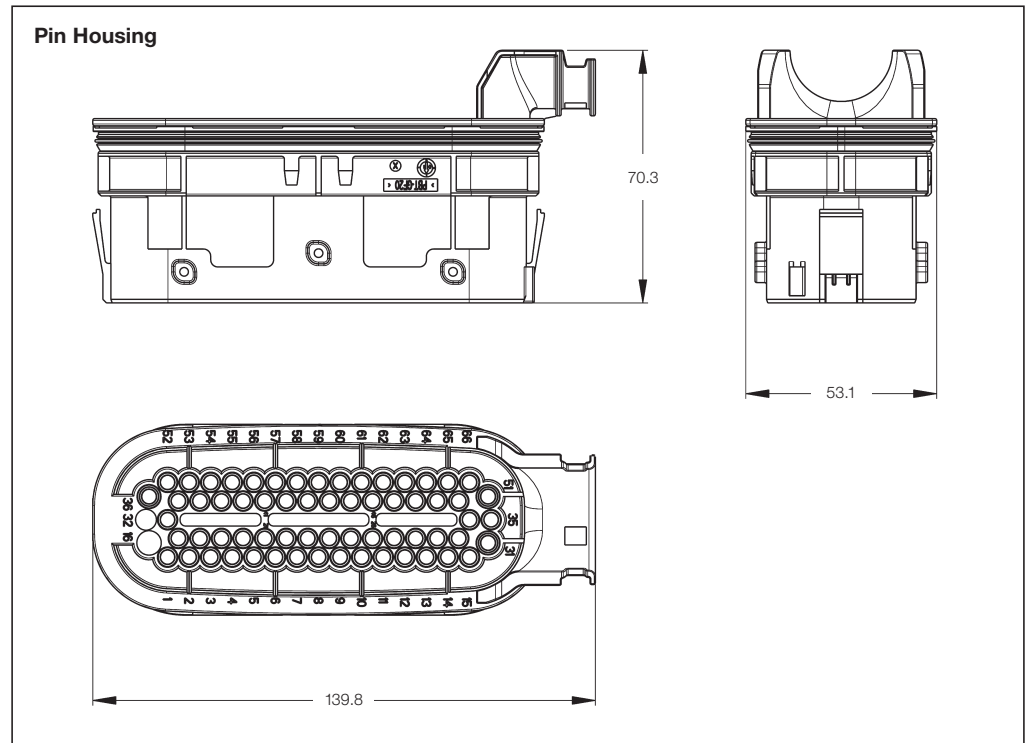
No. of Positions:
66 Positions

Housing Material:
PBT GF 20

Wire Size Range:
4.0 mm² FLR Max.

Product Specification:
108-18734

Application Specification:
114-18424



Sealed Pin Housings with Secondary Locking Device

| No. of Positions | Keying Options | Housing Color | Part Numbers | | | |
|------------------|----------------|---------------|--------------|-----------|-----------------------|--|
| | | | Pin Housing | Adapter | Mating Socket Housing | Mating PCB Header Right-Angle Vertical |
| 66 | A | Natural | 1-1394750-1 | 1534407-1 | 1-1394748-1 / -2 | |
| | B | Gray | 2-1394750-1 | 1534407-1 | 2-1394748-1 | |
| | C | Blue | 3-1394750-1 | 1534407-1 | 3-1394748-1 | - |
| | D | Green | 4-1394750-1 | 1534407-1 | 4-1394748-1 | |
| | Spare Part F | Black | 8-1394750-1 | 1534407-1 | 8-1394748-2 | |

Numerical Index

| Part Number | Page | Part Number | Page | Part Number | Page |
|-------------|---------------------------------------|-------------|-------------|-------------|--------------|
| 185636-1 | 26-17 | 929971-1 | 26-8 | 962977-7 | 26-8 |
| 185792-1 | 26-17 | 929971-7 | 26-8 | 962977-8 | 26-8 |
| 185793-1 | 26-17 | 929971-8 | 26-8 | 962978-1 | 26-8 |
| 539972-1 | 26-4 | 929972-1 | 26-8 | 962978-7 | 26-8 |
| 734285-1 | 26-5, 26-8 , 26-9 | 929973-1 | 26-8 | 962978-8 | 26-8 |
| 734285-2 | 26-5, 26-8 , 26-9 | 929974-1 | 26-8 | 962979-1 | 26-8 |
| 734285-3 | 26-8, 26-9 , | 929974-4 | 26-8 | 962980-1 | 26-8 |
| 734289-1 | 26-5, 26-6 , 26-8, 26-9 , 26-23 | 929974-7 | 26-8 | 962981-1 | 26-8 |
| 734289-2 | 26-5, 26-6 , 26-8, 26-9 , 26-23 | 929974-8 | 26-8 | 962981-4 | 26-8 |
| 828904-1 | 26-10 | 1-929974-4 | 26-8 | 962981-7 | 26-8 |
| 828904-2 | 26-10 | 929975-1 | 26-8 | 962981-8 | 26-8 |
| 828904-3 | 26-10 | 929975-4 | 26-8 | 1-962981-4 | 26-8 |
| 828905-1 | 26-10 | 929975-7 | 26-8 | 962982-1 | 26-8 |
| 828920-1 | 26-10 | 929975-8 | 26-8 | 962982-4 | 26-8 |
| 828921-1 | 26-10 | 929985-1 | 26-5 | 962982-7 | 26-8 |
| 828921-2 | 26-10 | 929986-1 | 26-5 | 962982-8 | 26-8 |
| 828922-1 | 26-10 | 929986-4 | 26-5 | 962994-1 | 26-5 |
| 828922-2 | 26-10 | 929987-1 | 26-5 | 962995-1 | 26-5 |
| 828986-1 | 26-10 | 929988-1 | 26-5 | 962995-4 | 26-5 |
| 2-878485-2 | 26-23 | 929988-2 | 26-5 | 962996-1 | 26-5 |
| 2-878486-2 | 26-23 | 929988-9 | 26-5 | 962997-1 | 26-5 |
| 929962-1 | 26-9 | 929989-1 | 26-5 | 962997-2 | 26-5 |
| 929963-1 | 26-9 | 929989-4 | 26-5 | 962998-1 | 26-5 |
| 929963-8 | 26-9 | 929989-7 | 26-5 | 962998-4 | 26-5 |
| 1-929963-0 | 26-9 | 929989-8 | 26-5 | 962998-7 | 26-5 |
| 929964-1 | 26-9 | 1-929989-0 | 26-5, 26-23 | 962998-0 | 26-5, 26-23 |
| 1-929964-0 | 26-9 | 929990-1 | 26-5 | 962999-1 | 26-5 |
| 929965-1 | 26-9 | 929990-4 | 26-5 | 962999-4 | 26-5 |
| 929966-1 | 26-9 | 929990-7 | 26-5 | 962999-7 | 26-5 |
| 929966-7 | 26-9 | 1-929990-0 | 26-5, 26-23 | 1-962999-0 | 26-5, 26-23 |
| 929967-1 | 26-9 | 962966-1 | 26-9 | 965576-1 | 26-17 |
| 929967-4 | 26-9 | 962967-1 | 26-9 | 965577-1 | 26-17 |
| 929967-7 | 26-9 | 962967-8 | 26-9 | 965687-1 | 26-17 |
| 929967-8 | 26-9 | 1-962967-0 | 26-9 | 965702-1 | 26-4 |
| 1-929967-0 | 26-9 | 962968-1 | 26-9 | 965783-1 | 26-17 |
| 1-929967-4 | 26-9 | 1-962968-0 | 26-9 | 965784-1 | 26-17 |
| 929968-1 | 26-9 | 962969-1 | 26-9 | 965785-1 | 26-17 |
| 929968-4 | 26-9 | 962970-1 | 26-9 | 965786-1 | 26-17 |
| 929968-7 | 26-9 | 962970-7 | 26-9 | 1-967325-1 | 26-12, 26-13 |
| 929968-8 | 26-9 | 962971-1 | 26-9 | 1-967325-2 | 26-12, 26-13 |
| 929969-1 | 26-8 | 962971-4 | 26-9 | 1-967325-3 | 26-12, 26-13 |
| 929970-1 | 26-8 | 962971-7 | 26-9 | 2-967325-1 | 26-12, 26-13 |
| 929970-7 | 26-8 | 962971-8 | 26-9 | 2-967325-2 | 26-12, 26-13 |
| 929970-8 | 26-8 | 1-962971-0 | 26-9 | 2-967325-3 | 26-12, 26-13 |
| | | 1-962971-4 | 26-9 | 3-967325-1 | 26-12 |
| | | 962972-1 | 26-9 | 3-967325-2 | 26-12 |
| | | 962972-4 | 26-9 | 3-967325-3 | 26-12 |
| | | 962972-7 | 26-9 | 4-967325-1 | 26-12 |
| | | 962972-8 | 26-9 | 4-967325-2 | 26-12 |
| | | 962976-1 | 26-8 | 4-967325-3 | 26-12 |
| | | 962977-1 | 26-8 | | |

Numerical Index

| Part Number | Page | Part Number | Page | Part Number | Page |
|-------------|------------------------|-------------|--------------|-------------|-------|
| 1-967402-1 | 26-12, 26-13, 26-14 | 1394089-1 | 26-20 | 3-1579007-8 | 26-4 |
| 1-967402-2 | 26-12, 26-13, 26-14 | 1394277-1 | 26-17 | 4-1579007-7 | 26-7 |
| 1-967402-3 | 26-12, 26-13, 26-14 | 1394277-2 | 26-17 | 5-1579007-0 | 26-4 |
| 2-967402-1 | 26-12, 26-13 | 1394324-1 | 26-15 | 1703012-1 | 26-6 |
| 2-967402-2 | 26-12, 26-13 | 1394324-2 | 26-15 | 1703012-4 | 26-6 |
| 2-967402-3 | 26-12, 26-13, 26-14 | 1394324-3 | 26-15 | 1703013-1 | 26-6 |
| 967650-1 | 26-16 | 1394324-4 | 26-15 | 1703013-2 | 26-6 |
| 967650-2 | 26-16 | 1-1394748-1 | 26-24, 26-25 | 1703013-4 | 26-6 |
| 967650-3 | 26-16 | 1-1394748-2 | 26-24, 26-25 | 1703013-8 | 26-6 |
| 967650-4 | 26-16 | 2-1394748-1 | 26-24, 26-25 | 1703014-1 | 26-6 |
| 1-967650-1 | 26-16 | 3-1394748-1 | 26-24, 26-25 | 1703014-4 | 26-6 |
| 2-967650-1 | 26-16 | 4-1394748-1 | 26-24, 26-25 | 1703016-1 | 26-6 |
| 3-967650-1 | 26-16 | 8-1394748-2 | 26-24, 26-25 | 1703016-4 | 26-6 |
| 1-968968-1 | 26-13, 26-14 | 1-1394750-1 | 26-24, 26-25 | 1703017-1 | 26-6 |
| 1-968968-2 | 26-14 | 2-1394750-1 | 26-24, 26-25 | 1703017-2 | 26-6 |
| 1-968968-3 | 26-14 | 3-1394750-1 | 26-24, 26-25 | 1703017-4 | 26-6 |
| 2-968968-3 | 26-14 | 4-1394750-1 | 26-24, 26-25 | 1703018-1 | 26-6 |
| 6-968968-1 | 26-13 | 8-1394750-1 | 26-24, 26-25 | 1703018-4 | 26-6 |
| 6-968968-2 | 26-13 | 1394816-1 | 26-20 | 1703780-1 | 26-13 |
| 6-968968-3 | 26-13 | 1418916-1 | 26-17 | 1718010-1 | 26-24 |
| 1241598-1 | 26-15 | 1418917-1 | 26-17 | 1718230-1 | 26-16 |
| 1337245-3 | 26-22 | 1418918-1 | 26-17 | 1718230-2 | 26-16 |
| 1337352-1 | 26-22 | 1418919-1 | 26-17 | 1718230-3 | 26-16 |
| 1394081-1 | 26-20 | 1534789-1 | 26-17 | 1-1718230-1 | 26-16 |
| | | 1534791-1 | 26-17 | 2-1718230-1 | 26-16 |
| | | 1-1579007-8 | 26-7 | 3-1718230-1 | 26-16 |
| | | 3-1579007-2 | 26-7 | 1718232-1 | 26-20 |
| | | 3-1579007-7 | 26-4 | | |

Disclaimer

While Tyco Electronics and its affiliates referenced herein have made every reasonable effort to ensure the accuracy of the information contained in this catalog, Tyco Electronics cannot assure that this information is error free. For this reason, Tyco Electronics does not make any representation or offer any guarantee that such information is accurate, correct, reliable or current. Tyco Electronics reserves the right to make any adjustments to the information at any time. Tyco Electronics expressly disclaims any implied warranty regarding the information contained herein, including, but not limited to, the implied warranties of merchantability or fitness for a particular purpose. Tyco Electronics' only obligations are those stated in Tyco Electronics' Standard Terms and Conditions of Sale. Tyco Electronics will in no case be liable for any incidental, indirect or consequential damages arising from or in connection with, including, but not limited to, the sale, resale, use or misuse of its products. Users should rely on their own judgment to evaluate the suitability of a product for a certain purpose and test each product for its intended application.

In case of any potential ambiguities or questions, please don't hesitate to contact us for clarification.

www.tycoelectronics.com

www.tycoelectronics.com/automotive

AMP, TE (Logo) and Tyco Electronics are trademarks of the Tyco Electronics Group of Companies and its Licensors.

Engineering Notes

