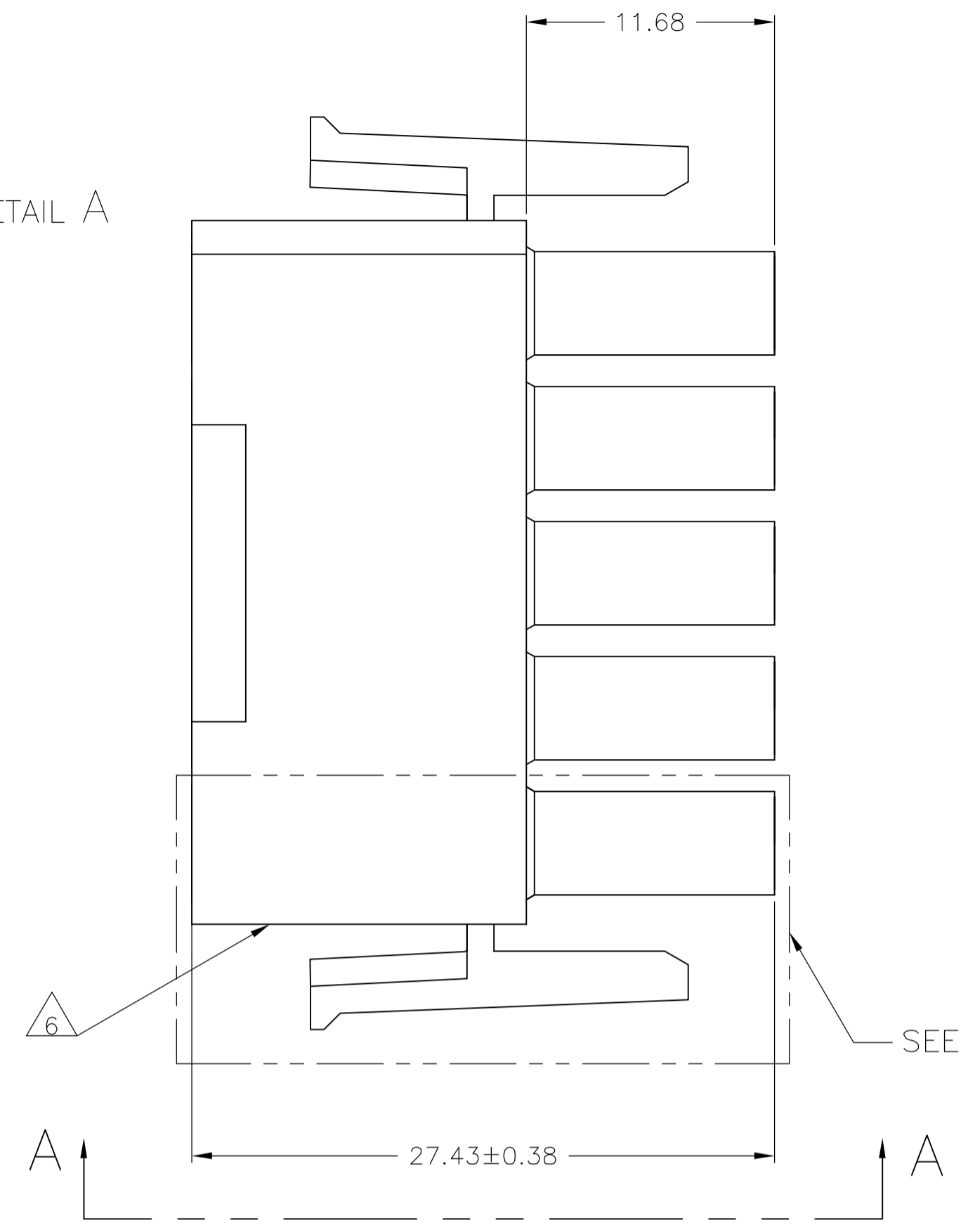
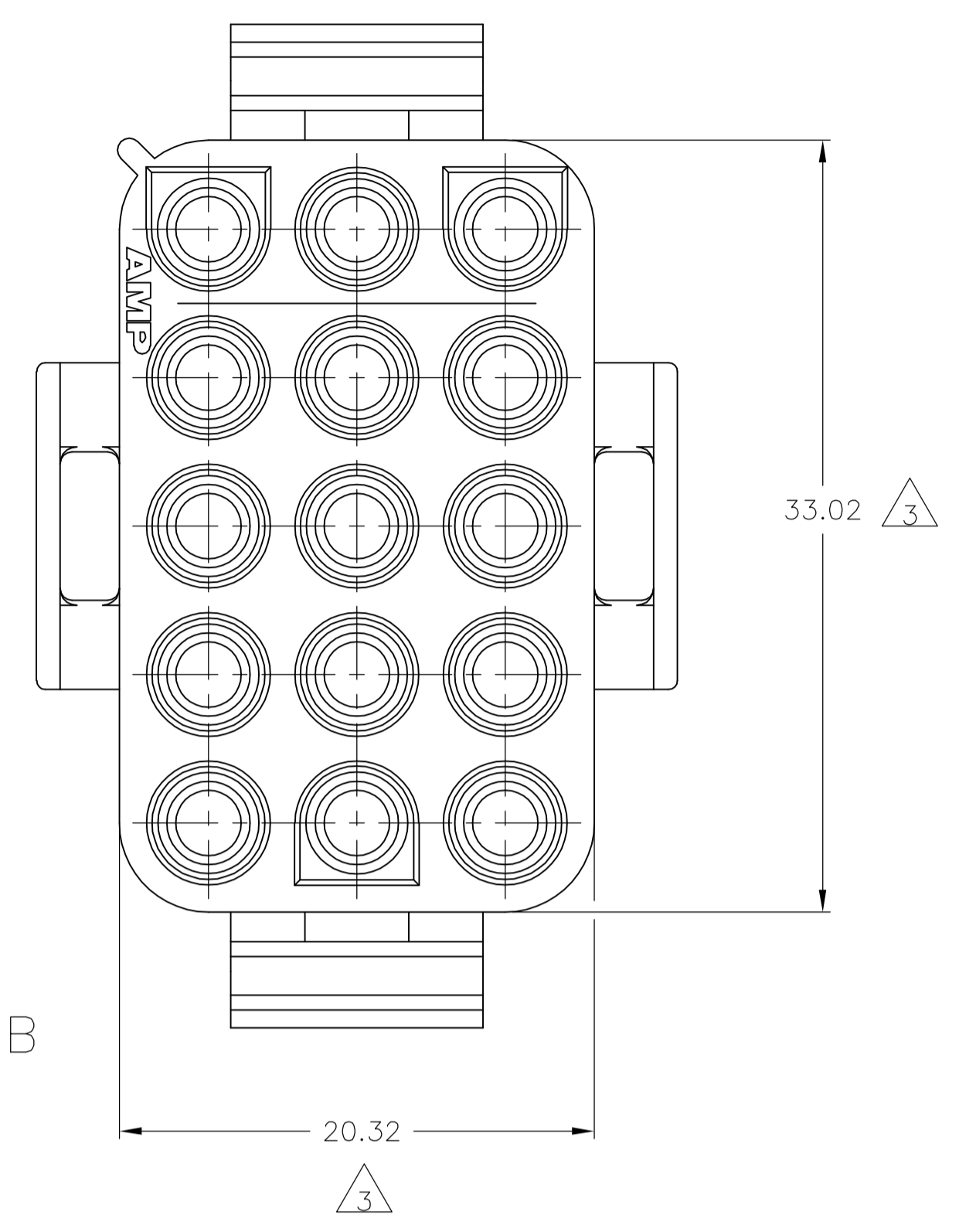


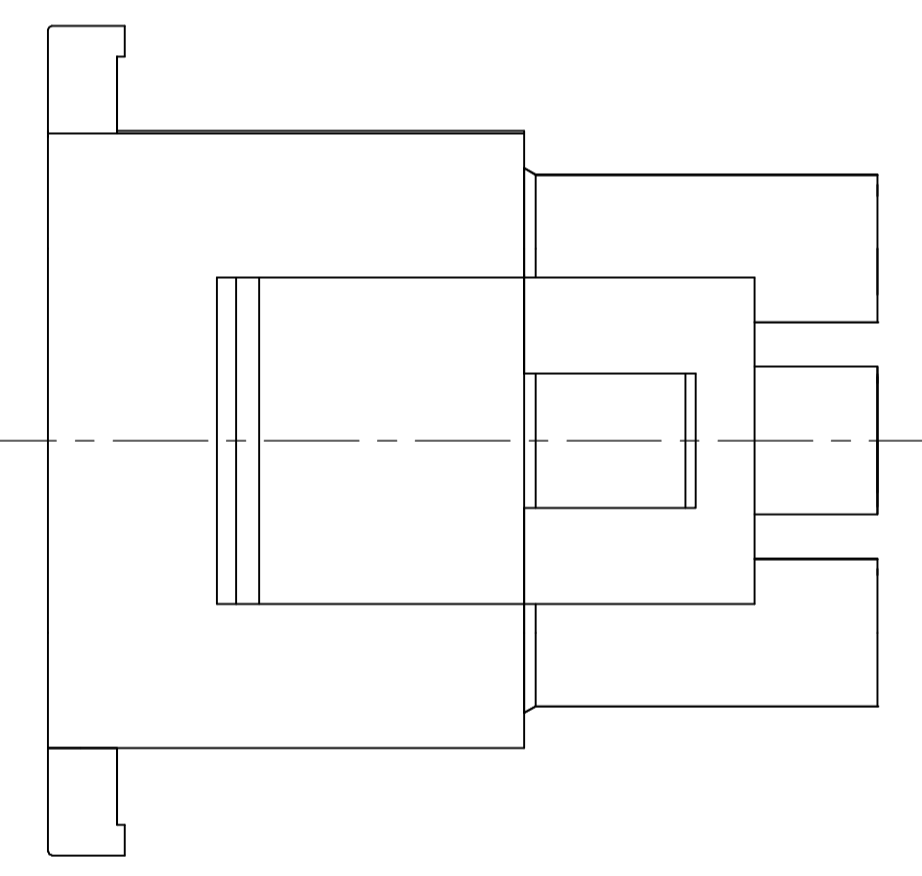
SEE DETAIL A



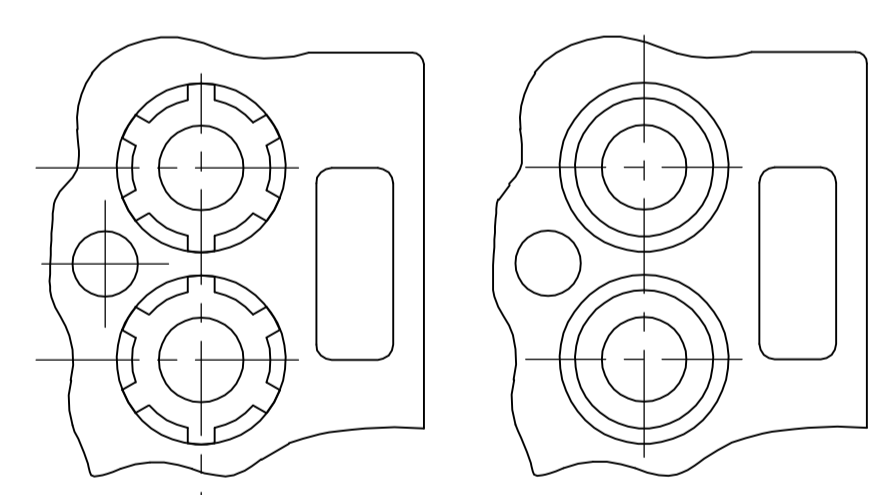
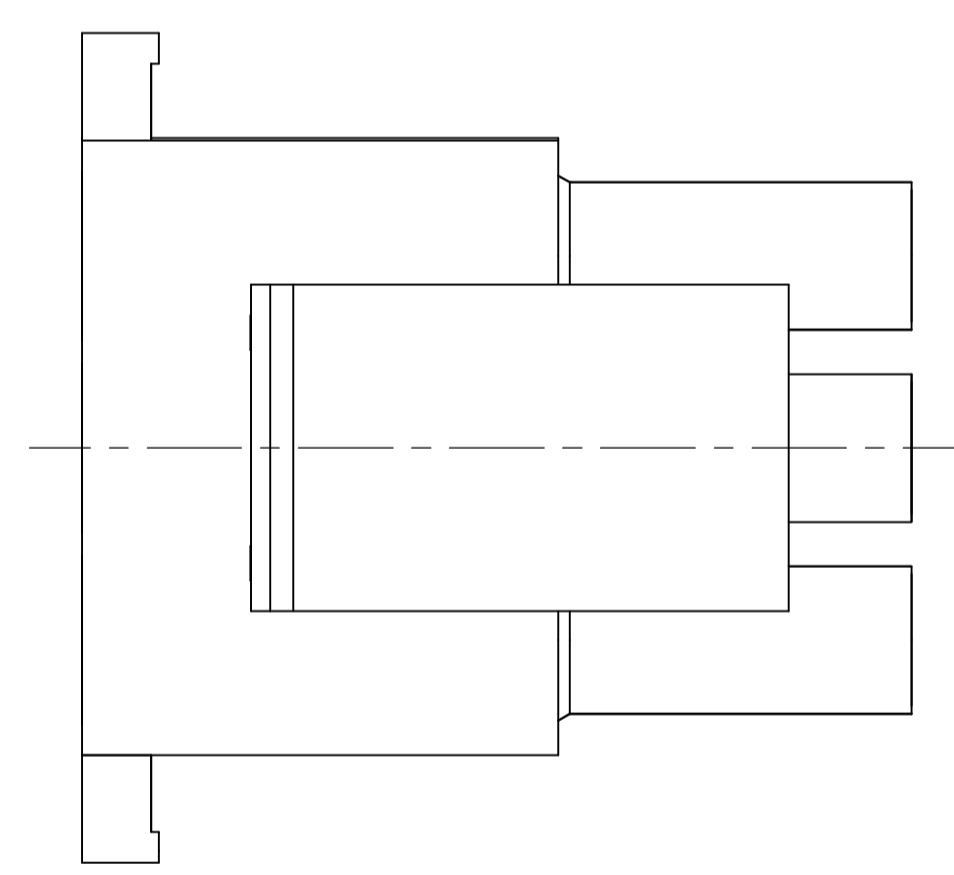
SEE DETAIL B



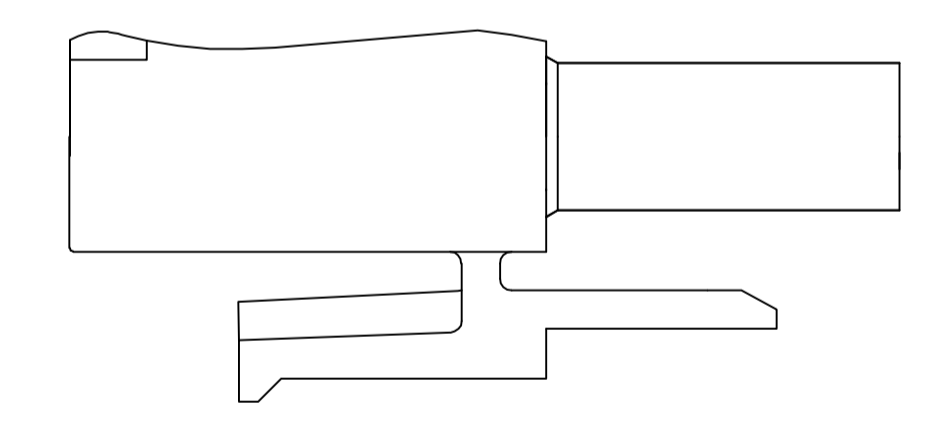
- MATES WITH APPROPRIATE UNIVERSAL MATE-N-LOK™ CAP OR HEADER.
 - SMALL NICKS ARE PERMITTED ON THE CIRCUIT TOWERS WHICH COULD INCREASE THE INITIAL HOUSING MATING FORCE BY UP TO 4.4 NEWTONS [1.0 LBS]. NO INDIVIDUAL NICKED TOWER SHALL INCREASE THIS FORCE BY OVER 2.2 NEWTONS [.5 LBS].
- △3 DIMENSION INDICATED IS AS MOLDED. ADDITIONAL GROWTH DUE TO SUBSEQUENT MOISTURE ABSORPTION MAY OCCUR.
 - △4 FOUR RIBS EQUALLY SPACED, NO SPECIFIC ORIENTATION. NO RIBS OR SIX RIBS EQUALLY SPACED, NO SPECIFIC ORIENTATION, OPTIONAL.
 - △5 NOT MANUFACTURED IN U.S.
 - △6 UNDERWRITERS RECOGNIZED COMPONENT LOGO AND CSA CERTIFICATION LOGO TO BE LOCATED ONCE ON EACH SIDE OF HOUSING.



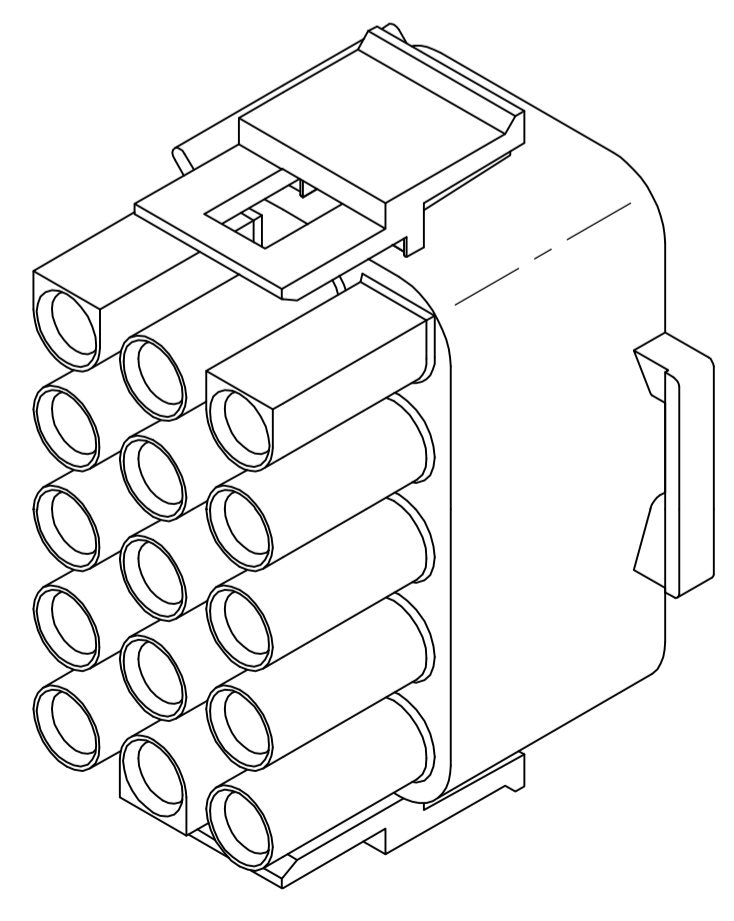
VIEW A-A
350736-4 ONLY



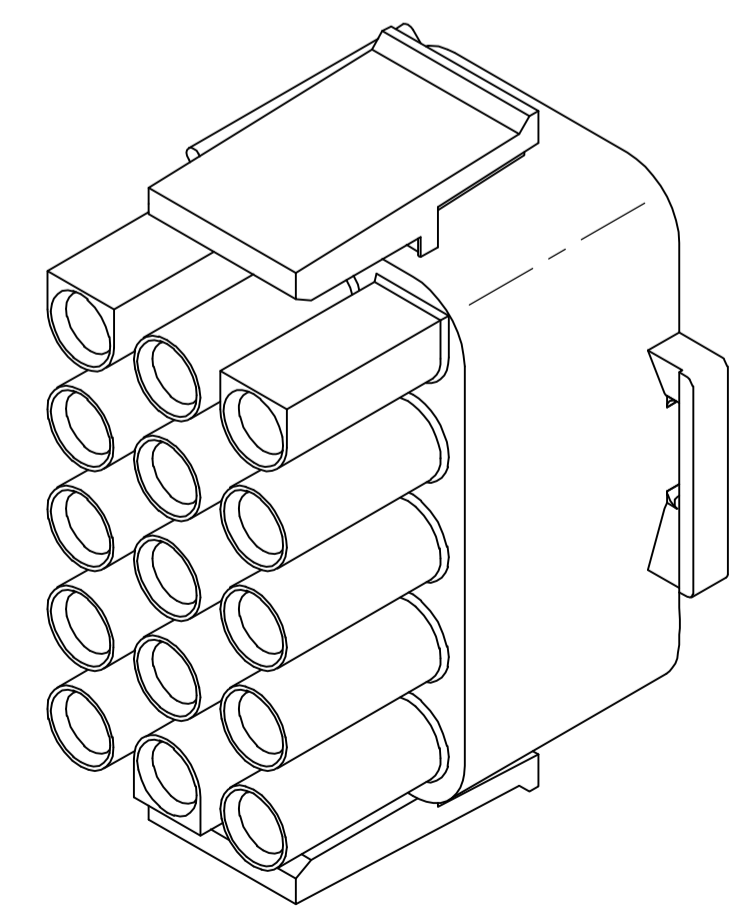
DETAIL A
OPTIONAL CONSTRUCTION



DETAIL B
350736-4 ONLY



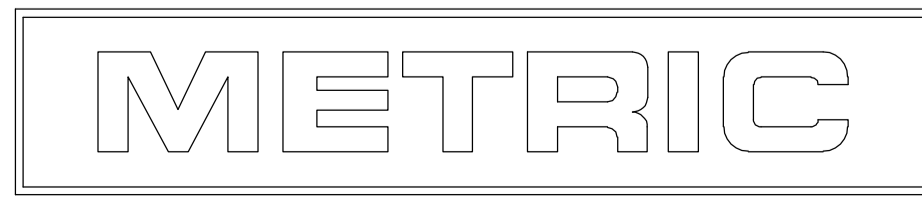
350736-4 3-DIMENSIONAL MODEL
NTS



3-DIMENSIONAL MODEL
NTS

| | |
|-------|-------|
| 33.02 | 1.300 |
| 27.43 | 1.080 |
| 20.32 | .800 |
| 11.68 | .460 |
| 0.38 | .015 |
| 0.13 | .005 |
| MM | IN |

CONVERSION TABLE



| | |
|---------|-------------|
| BLACK | 1-350736-9 |
| GRAY | 1-350736-8 |
| BLUE | 1-350736-6 |
| GREEN | 1-350736-5 |
| YELLOW | 1-350736-4 |
| ORANGE | 1-350736-3 |
| RED | 1-350736-2 |
| BROWN | 1-350736-1 |
| △ | 350736-4 |
| NATURAL | 350736-1 |
| COLOR | PART NUMBER |

THIS DRAWING IS A CONTROLLED DOCUMENT.

| | | | | | | |
|----------------------------|--|------------------|-------------|---------|------------------|---|
| DIMENSIONS: | TOLERANCES UNLESS OTHERWISE SPECIFIED: | DWN | K. WHITAKER | 20FEB92 | | Tyco Electronics Corporation Harrisburg, PA 17105-3608 |
| mm | 0 PLC ± - 1 PLC ± - 2 PLC ± 0.13 3 PLC ± - 4 PLC ± - ANGLES ± 0.30° | CHK | R. SWING | 20FEB92 | | NAME |
| | | APVD | D. SELF | 24FEB92 | PRODUCT SPEC | |
| MATERIAL NYLON,UL 94V-0 | | FINISH | | | APPLICATION SPEC | |
| | | WEIGHT | | | SIZE | A1 |
| | | CUSTOMER DRAWING | | | SCALE | 4:1 |
| | | | | | SHEET | 1 of 1 |
| | | | | | REV | V1 |