

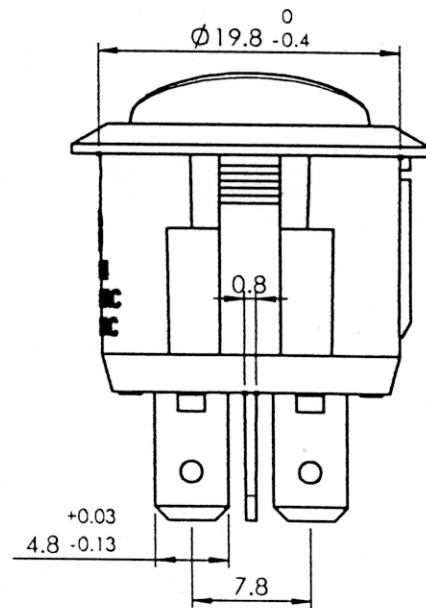
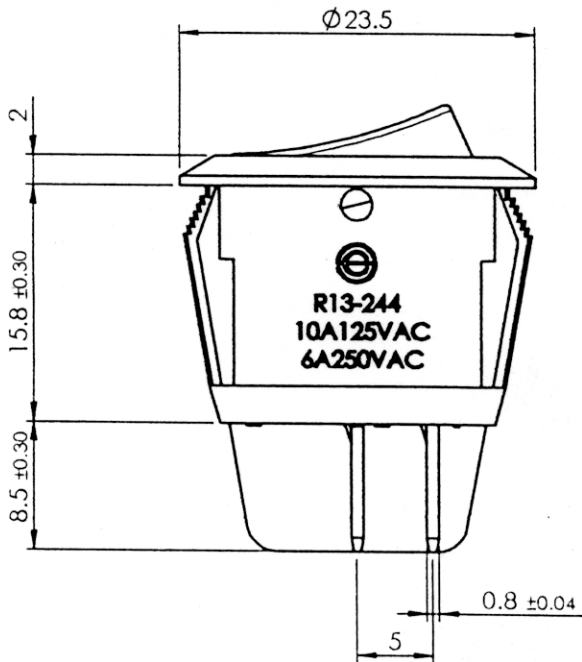
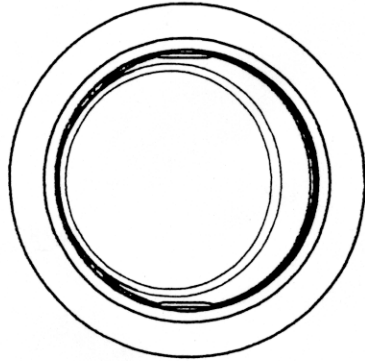
Order code	Manufacturer code	Description
75-0053	R13-244B AMBER	DPST LED ROCKER CIRCULAR AMBER P FIT

	Page 1 of 2
The enclosed information is believed to be correct, Information may change 'without notice' due to product improvement. Users should ensure that the product is suitable for their use. E. & O. E.	Revision A 04/07/2003

規格 Rating	10A 125VAC / 6A 250VAC	裝配孔 Mount Hole	線路圖 Circuit Structure
接觸電阻 Contact R.	50m ohm Max.		
絕緣電阻 Insulation R.	DC 500V 100M ohm Min.		
耐電壓 Dielectric Strength	AC 1500V 1minute		
動作特性 Circuit	4P DPST On-Off (Illuminated)		

Operation Temperature: -20 °C ~ 85 °C

Operation Force: 800g ± 200g



△	DATE	Name	Descriptions			
DRAWN	CHECKED	APPROVED	SCI No.		Model Name	
鄭瑞吉	王玉山	李秉燦	Customer No.		Model NO.	R13-244B
11/14-00'	11/14/00	李秉燦	Unit		SHIN CHIN INDUSTRIAL CO., LTD.	