
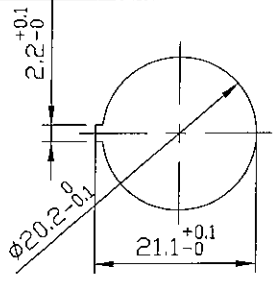
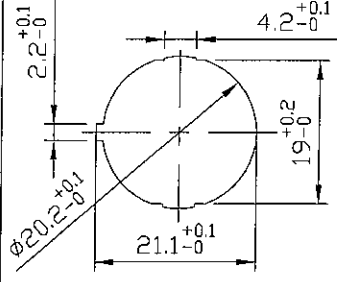



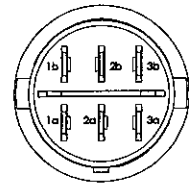
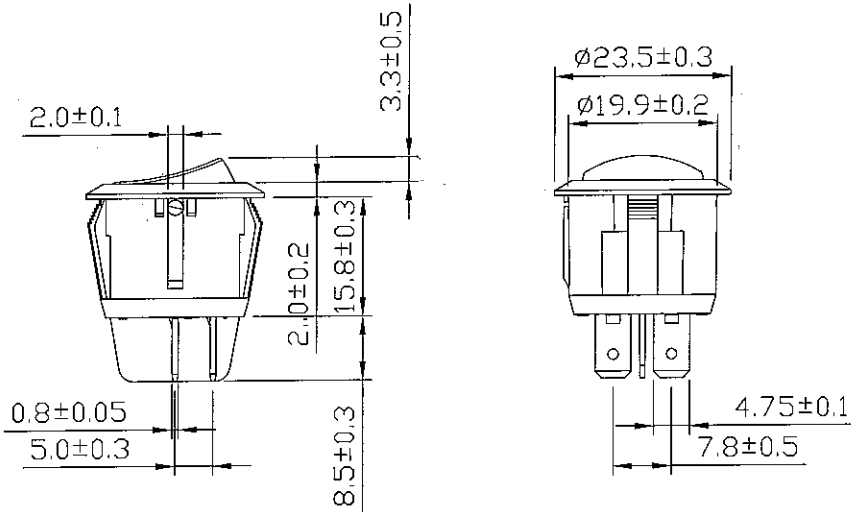
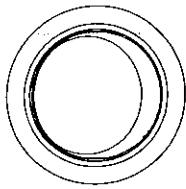
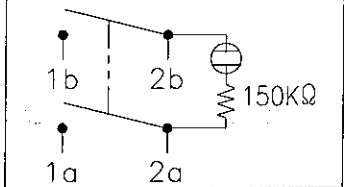
Order code	Manufacturer code	Description
75-0055	R13-244B GREEN	DPST LED ROCKER CIRCULAR GREEN P FIT RC

	Page 1 of 2
The enclosed information is believed to be correct, Information may change without notice due to product improvement. Users should ensure that the product is suitable for their use. E. & O. E.	Revision A 20/02/2007


Rating	16A 125VAC, 10A 250VAC, T85 	Mounting Hole 	
	10(4)A 250VAC, 25T85 		
Contact Resistance	50m ohm Max.		
Insulation Resistance	DC 500V 100M ohm Min.		
Dielectric Strength	AC 1500V 1 minute		
Operation Temperature	-25°C~85°C		
Switch Function	4P DPST ON-OFF(Illuminated)		

Frame: Black, Nylon 66
Actuator: Green, PC

Circuit Diagram



C8\R13\R13-244B-02(1822752)

								△	
								△	
Date		Name		Description				NO	
Drawn	Checked	Approved	SCI BOM NO.	1822752	Model Name	ROCKER SWITCH			
曹盈芳	<i>Handwritten</i>	<i>Handwritten</i>	Customer No.		Model No.	R13-244B-02	REV.		0
04/02/09	4/2/09	4/5/09	Unit	mm	 SHIN CHIN INDUSTRIAL CO., LTD.				