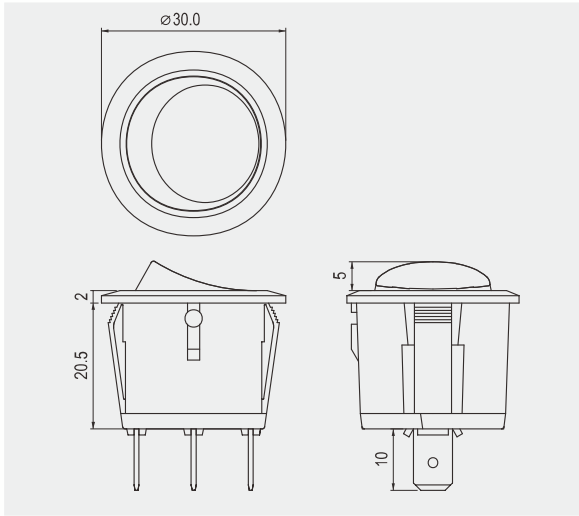


R13-223



| |
|--|
| Rating |
| 16A 125V AC 1/3HP 10A 250V AC 1/2HP |
| Contact resistance |
| 50mΩ Max |
| Insulation resistance |
| DC 500V 100MΩ Min |
| Dielectric strength |
| AC 1500V 1 minute |
| Cut-out |
| 1.0~4.0 mm max |

FEATURES

- * MATERIAL: Frame is nylon (UL flame: 94V-2). Terminals are silver plated brass.
- * Illuminated actuators are molded in PC, available with red, amber, green, blue and white colors.
- * Snap-in mounting, easy to install switch into panel.

R13-223

| FUNCTION | | TERMINAL |
|--|--|---------------|
| A OFF ON 2P SPST | D ON OFF ON 3P SPDT | 0 1 .250" SQ |
| B OFF ON 3P SPST (NEON) 125VAC 33KΩ / 250VAC 150KΩ | F OFF (ON) 2P SPST | |
| B F OFF (ON) 3P SPST (NEON) 125VAC 33KΩ / 250VAC 150KΩ | I (ON) OFF (ON) 3P SPDT | |
| C ON ON 3P SPDT | | |

* () = momentary

