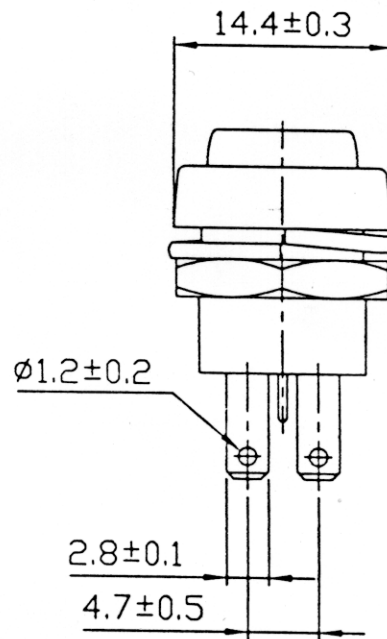
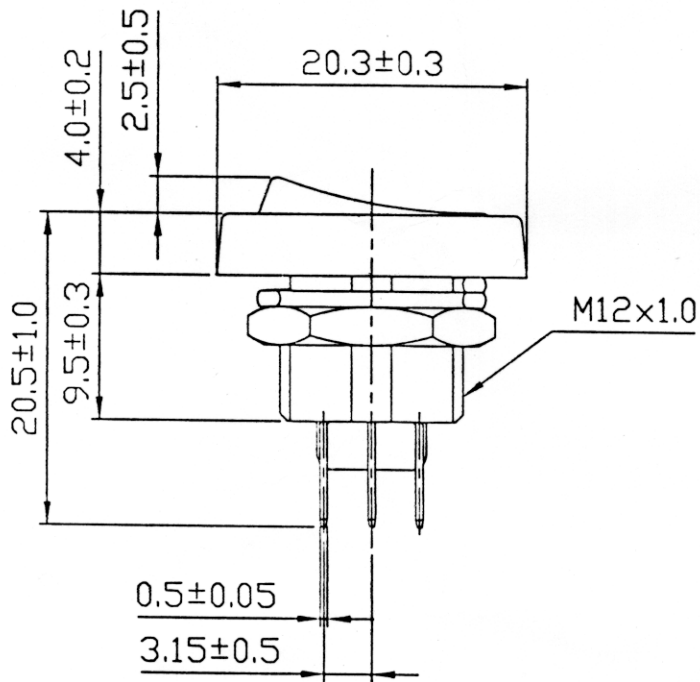
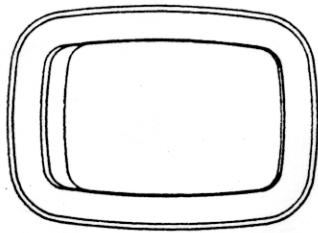


Order code	Manufacturer code	Description
75-0058	R13-213B BLACK	6P DPDT ON-ON MINI ROCKER PNL MNT BLACK

	Page 1 of 2
The enclosed information is believed to be correct, Information may change 'without notice' due to product improvement. Users should ensure that the product is suitable for their use. E. & O. E.	Revision A 04/07/2003

Rating	6A 125V,3A 250V AC	Mount Hole	Circuit Structure
Contact R	50m ohm Max.		
Insulation R	DC 500V 100M ohm Min.		
Dielectric Strength	AC 1000V 1 minute		
Circuit	6P DPDT ON-ON		



Customer No.	No.	Date	Name	Descriptions
SCI No.				
Model No.	R13-213B			
Drawing	Check	Approval		
12/2 - 98				