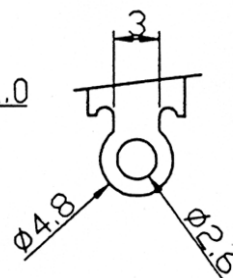
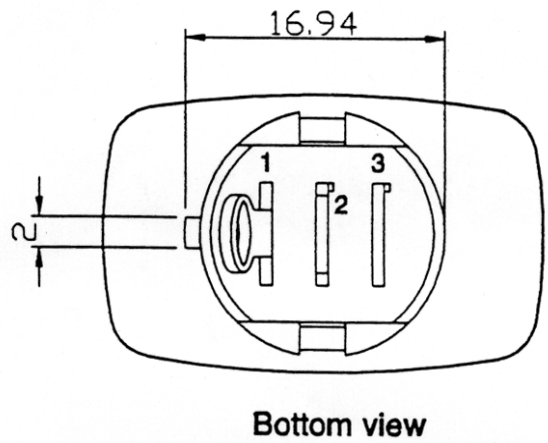
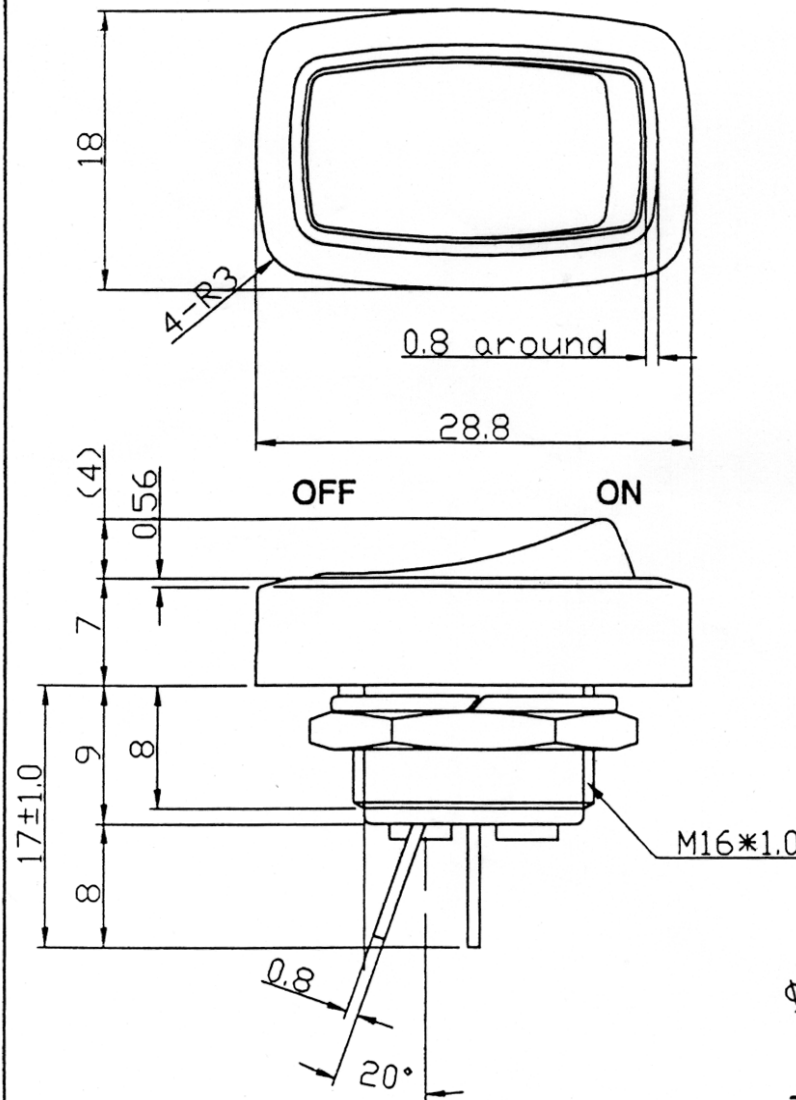


Order code	Manufacturer code	Description
75-0059	R13-228A BLACK	2P SPST ON-OF ROCKER PANEL MNT RECTANG

	Page 1 of 2
The enclosed information is believed to be correct, Information may change 'without notice' due to product improvement. Users should ensure that the product is suitable for their use. E. & O. E.	Revision A 04/07/2003

規格 Rating	10A 125VAC/6A 250VAC	裝配孔 Mount Hole	線路圖 Circuit Structure
接觸電阻 Contact R	50m ohm Max.		
絕緣電阻 Insulation R	DC 500V 100M ohm Min.		
耐電壓 Dielectric Strength	AC 1500V 1 minute		
動作特性 Circuit	2P SPST ON-OFF		
Operation force	400g \pm 150g		



Tolerance ± 0.3 except noticed.

Customer No.	No.	Date	Name	Descriptions
SCI No.				
Model No.	R13-228A			
Drawing	Check	Approval		