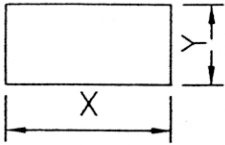
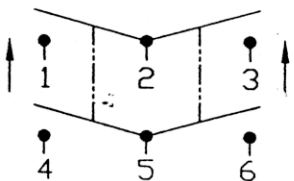
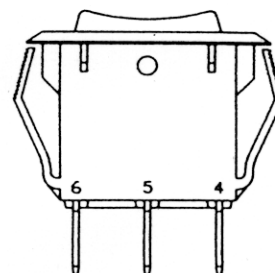
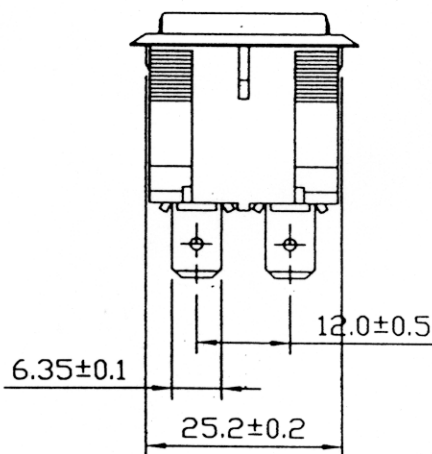
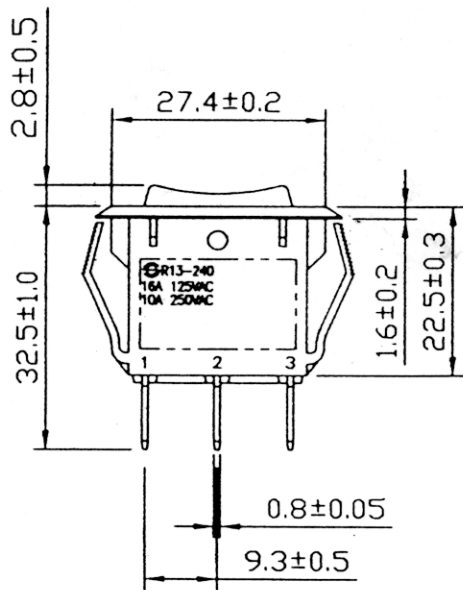
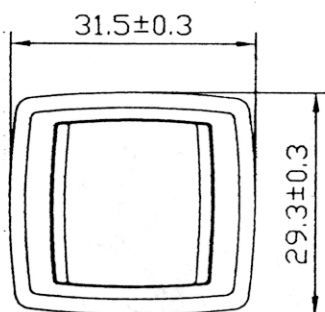


Order code	Manufacturer code	Description
75-0061	R13-240I BLACK	6P DPDT (ON)OFF(ON)ROCKER PUSH FIT BLACK

	Page 1 of 2
The enclosed information is believed to be correct, Information may change 'without notice' due to product improvement. Users should ensure that the product is suitable for their use. E. & O. E.	Revision A 04/07/2003

Rating	16A 125V, 10A 250V AC	Mount Hole	Circuit Structure	
Contact R	50m ohm Max.			
Insulation R	DC 500V 100M ohm Min.			
Dielectric Strength	AC 1500V 1 minute	Thickness	X	Y
Operation Temperature	-20°C~85°C	0.75...3	27.6-0.1	25.4+0.1
Circuit	6P DPDT (ON)-OFF-(ON)	3...5	28.0-0.1	25.4+0.1
		5...6.3	28.6-0.1	25.4+0.1



Customer No.	No.	Date	Name	Descriptions
SCI No.				
Model No.	R13-240I			
Drawing	Check	Approval		
王佰山		研發部		
11/20 99		88.11.25		