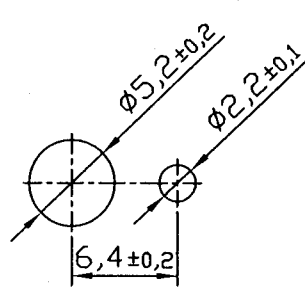
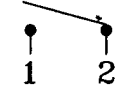
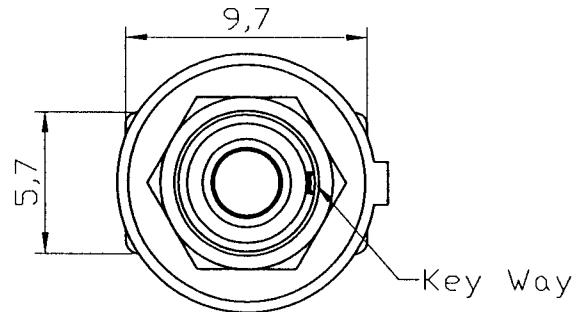
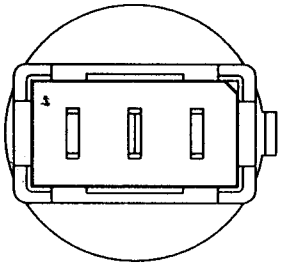
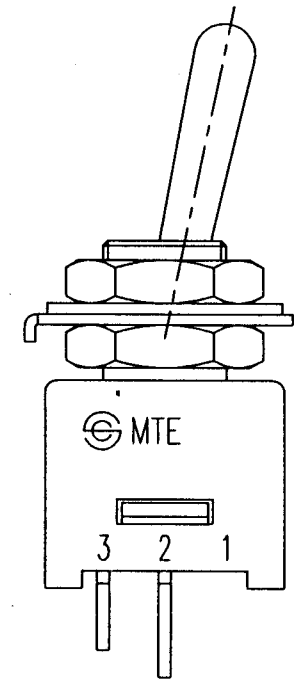
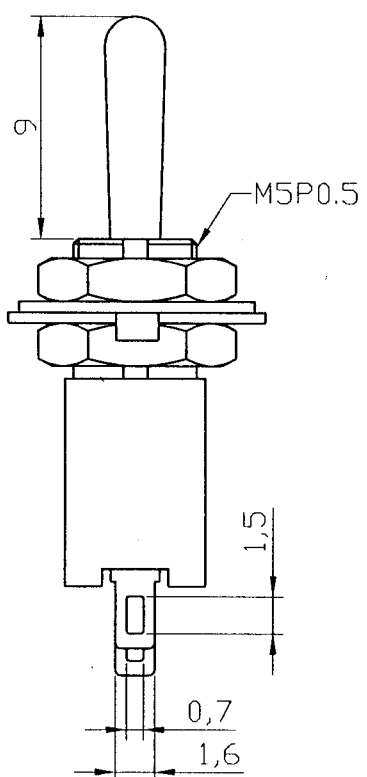
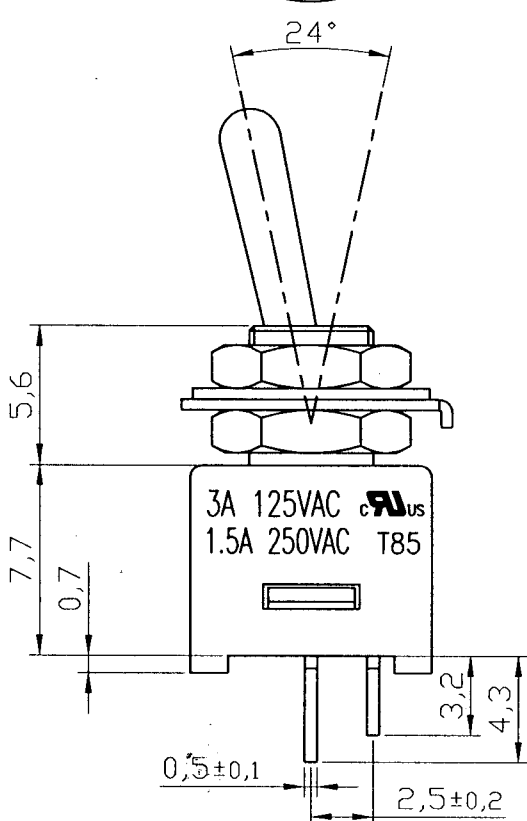


Rating	3A 125VAC, 1.5A 250VAC cULus T85	Mounting Hole 	Circuit Structure <i>Diagram</i> 
Contact R	20m ohm Max.		
Insulation R	DC 500V 100M ohm Min.	Thickness: 2.0 max.	
Dielectric Strength	AC 1000V 1 minute		
Operation Temperature	-20°~85°		
Circuit	2P SPST ON-OFF		



MATERIAL:  
 Frame: PBT  
 Base: PBT  
 Toggle: Nickel plated brass  
 Terminal: Silver plated copper



發行  
 96.3.14  
 研發部

△	Date	Name	Descriptions			
Drawing	Check	Approval	SCI No.	Model Name	Mini Toggle Switch	
蘇崇仁		<i>Signature</i>	Customer No.	Model No.	MTE101A1	
5/10/06		3/1307	Unit	mm	SHIN CHIN INDUSTRIAL CO., LTD.	