
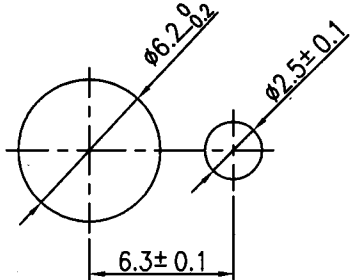
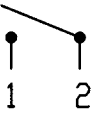
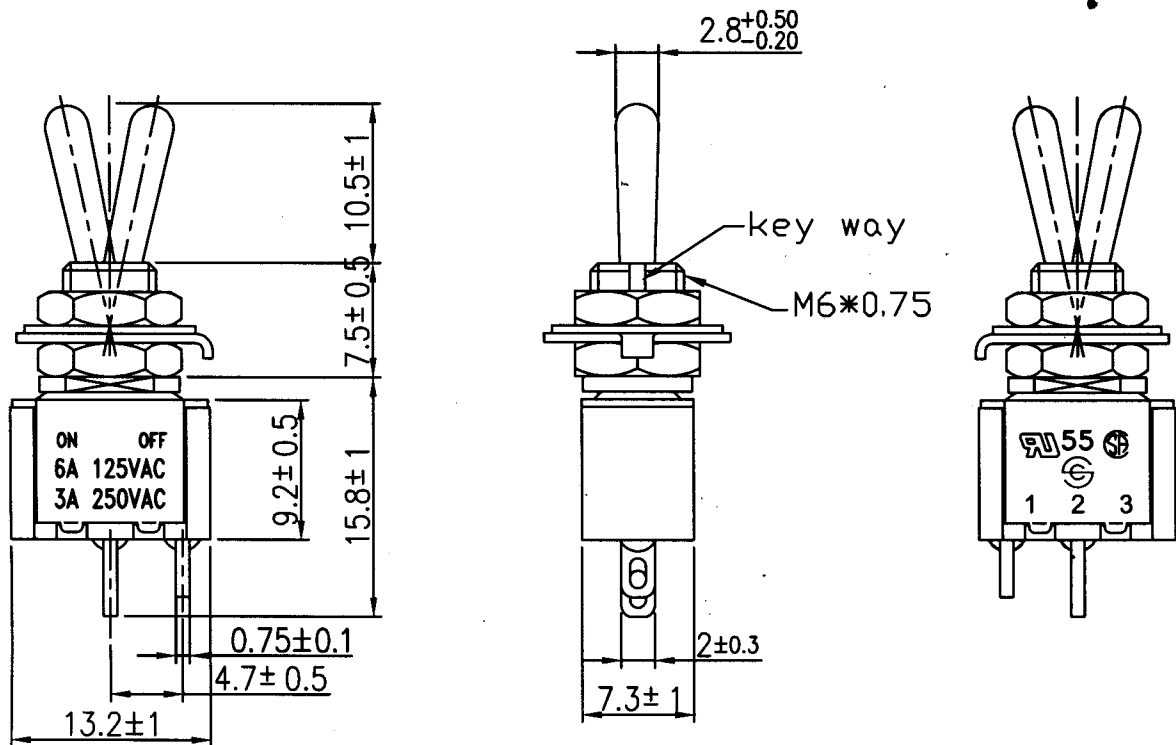
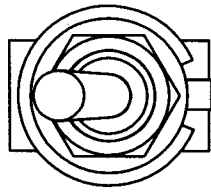




Rating	6A 125V AC, 3A 250V AC 	Mounting Hole	Circuit Diagram
Contact Resistance	50m ohm Max.		
Insulation Resistance	DC 500V 100M ohm Min.		
Dielectric Strength	AC 1000V 1 minute		
Switch Function	2P SPST ON-OFF		



C8\55\TA101A1(1860001)

								△
								△
Date	Name	Description						NO
Drawn	Checked	Approved	SCI BOM NO.	1860001	Model Name	MINI TOGGLE SWITCH		
曹盈芳			Customer No.	1055-TA1120-EVX	Model No.	TA101A1	REV.	
10/12/'07			Unit	mm	 SHIN CHIN INDUSTRIAL CO., LTD.			0