
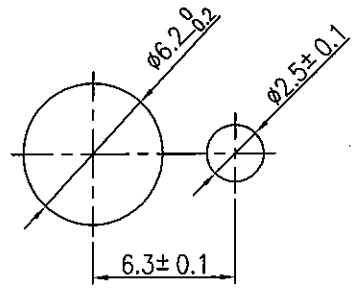
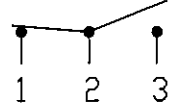
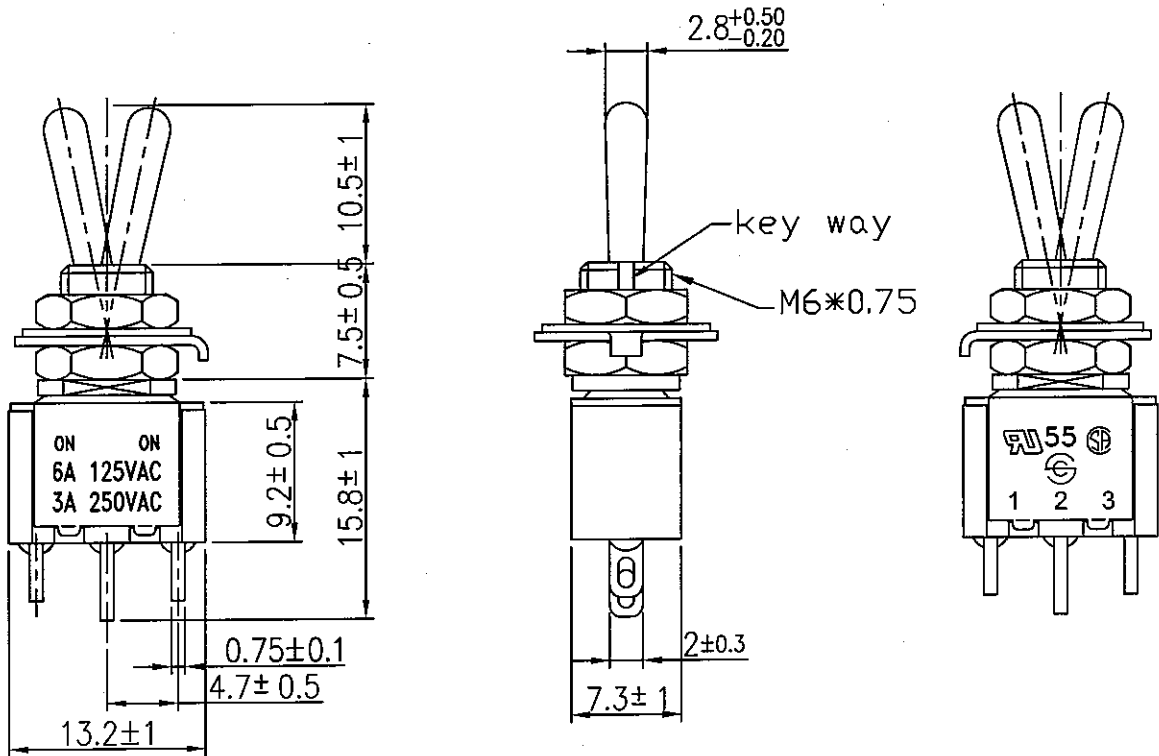
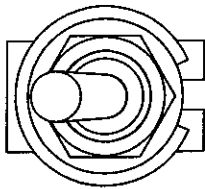


Toggle switches



Order code	Manufacturer code	Description
77-1256	n/a	n/a
75-0130	n/a	3A SPDT MINIATURE TOGGLE SWITCH (RC)

Toggle switches	Page 1 of 2
The enclosed information is believed to be correct, Information may change without notice due to product improvement. Users should ensure that the product is suitable for their use. E. & O. E.	Revision A 20/02/2007

Rating	6A 125V AC, 3A 250V AC 	Mounting Hole	Circuit Diagram
Contact Resistance	50m ohm Max.		
Insulation Resistance	DC 500V 100M ohm Min.		
Dielectric Strength	AC 1000V 1 minute		
Switch Function	3P SPDT ON-ON		



C8\55\TA102A1(1860026)

								△
								△
Date	Name	Description						NO
Drawn	Checked	Approved	SCI BOM NO.	1860026	Model Name	MINI TOGGLE SWITCH		
曹盈芳			Customer No.		Model No.	TA102A1		REV.
10/12/'07			Unit	mm	 SHIN CHIN INDUSTRIAL CO., LTD.			0