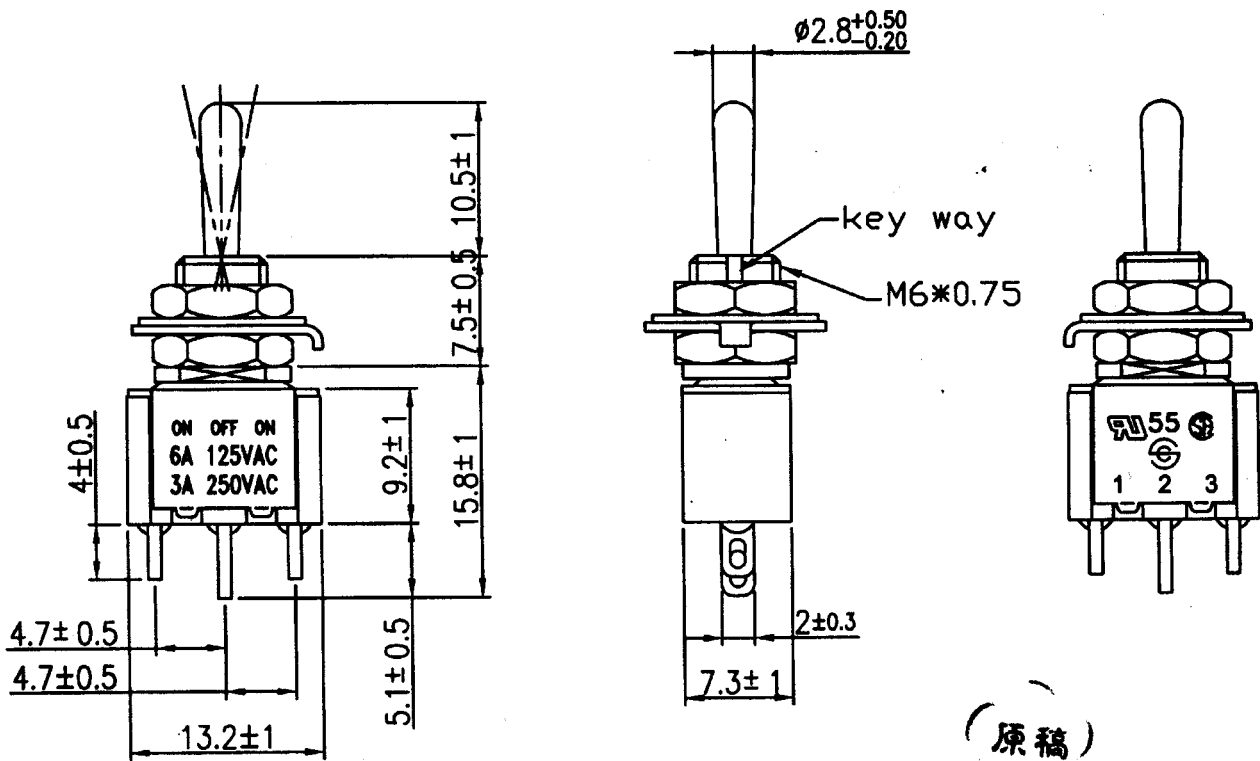
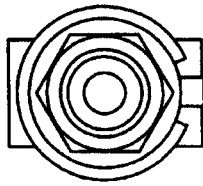


## Toggle switches

Order code	Manufacturer code	Description
75-0157	n/a	SPDT MIN TOG SW (ON)OFF(ON) (RC)

Toggle switches	Page 1 of 2
The enclosed information is believed to be correct, Information may change without notice due to product improvement. Users should ensure that the product is suitable for their use. E. & O. E.	Revision A 20/02/2007

Rating	6A 125V AC, 3A 250V AC	Mounting Hole	Circuit Diagram
Contact R	50m ohm Max.		
Insulation R	DC 500V 100M ohm Min.		
Dielectric Strength	AC 1000V 1 minute		
Circuit	3P SPDT (ON)-OFF-(ON)		



(原稿)

D:\Projects\零件

							△
							△
Date	Name	Descriptions					NO
Drawing	Check	Approval	SCI No.	1860066	Model Name	MINI SWITCH	
徐洲迎	<i>Handwritten</i>	<i>Handwritten</i>	Customer No.		Model No.	TA104A1	
11/29/'06	11/30-'06	12/4-'06	Unit	mm	SHIN CHIN INDUSTRIAL CO., LTD.		