

Toggle switches

Order code	Manufacturer code	Description
75-0180	n/a	SPST STANDARD TOGGLE SWITCH (RC)
77-1254	n/a	n/a

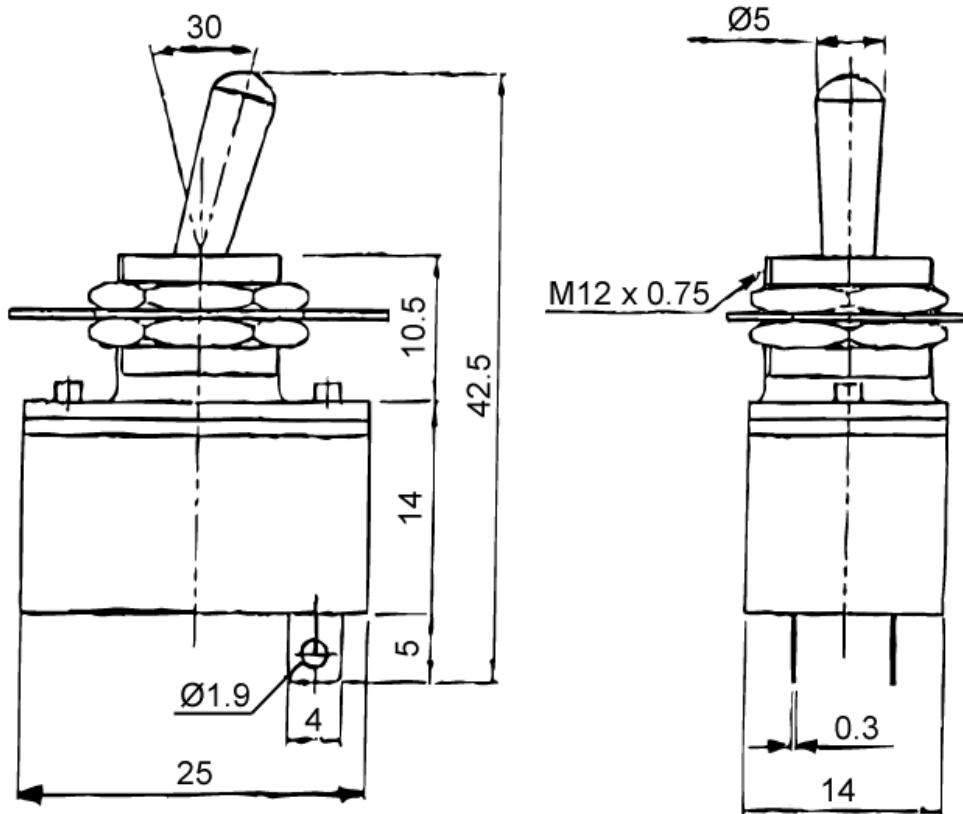
Toggle switches	Page 1 of 2
The enclosed information is believed to be correct, Information may change without notice due to product improvement. Users should ensure that the product is suitable for their use. E. & O. E.	Revision A 20/02/2007

Standard Toggle Switch

Characteristics

No of Solder Tags	:	2
Solder Tag Information	:	Silver content plating
Switch Type	:	Single Pole, Single Throw.
Current Rating	:	3.0 amp @ 125Vac 1.5 amp @ 250Vac
Contact Resistance	:	50Ω max.
Insulation Resistance	:	100MΩ @ 500Vdc
Dielectric Strength	:	1000Vac / 1min

Technical Drawing (Dimensions in mm)



Worst Case Tolerance : 0.5mm

Panel Cutout Information (mm)

