

SH SALECOM. ELECTRONICS CO., LTD.	NO.	T30942	PAGE 2
	Specification	Edition	2

5. PACKING

5-1. Packing method

All switches are packed into IC tubes as an inner packing unit, then ten IC tubes are bundled together with rubber bands. Length of IC tube: 560 mm. Thickness of IC tube: 0.5mm. Quantity per IC tube is 54pcs. Quantity per bundle is 540pcs.

5-2. Information on label (stuck to each bundle of IC tubes)

- | | |
|----------------|-------------------------|
| (1) Part NO. | (2) Description |
| (3) Lot NO. | (4) Quantity |
| (5) Tester NO. | (6) Reprocess NO. |
| (7) QC stamp | (8) Date |
| (9) Mark | (10) Manufacturers name |

6. MATERIAL LIST

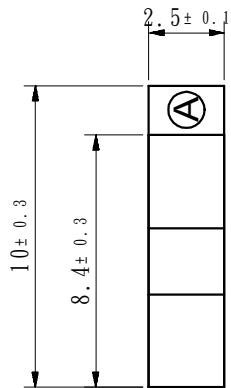
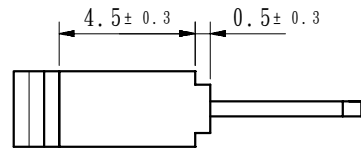
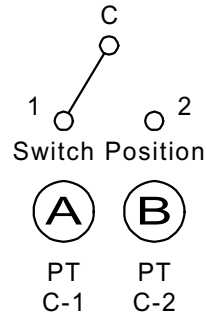
NO.	Part	Materials	Colour & Plated
1	Case (Standard)	PBT glass reinforced nylon	Blue
2	Case (Tropical)	PA66 glass reinforced nylon	Black
2	Case (For SMT)	PA6T glass reinforced nylon	Black
3	Slider	PA46 glass reinforced nylon	Ivory
4	Terminals	Brass	Au 3 μ", over Ni 40 μ"
5	Fixed contact	Brass	Au 3 μ", over Ni 40 μ"
6	Movable contact	Phosphor Bronze	Au 5 μ", over Ni 40 μ"

7. DRAWIING

See attached drawing.

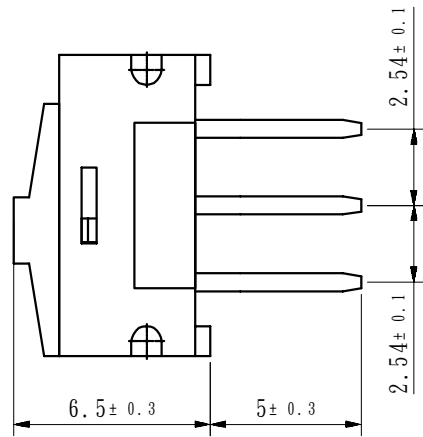
ESP DIMENSIONS Unit: mm

CIRCUIT DIAGRAM

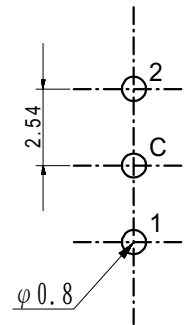


(B)

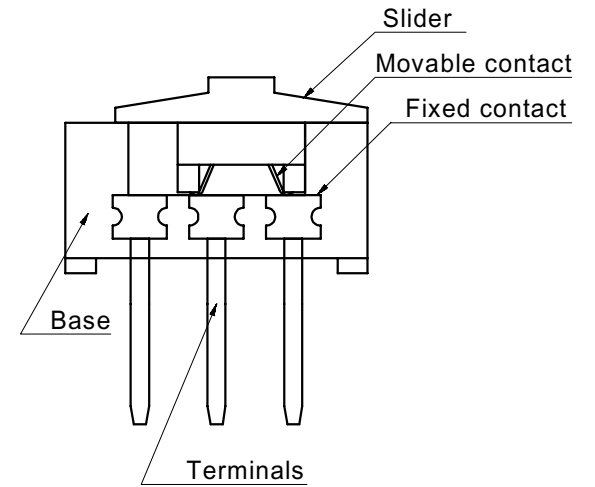
(A)

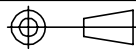


P.C.B. LAY OUT



CONSTRUCTION



				NORMAL TOLERANCE		PART NUMBER	74020****		UNIT	MM (INCH)	PART NAME	ESP			
				RANGE	TOLERANCE	MATERIAL	-----		SCALE	4 : 2	TYPE	-----			
				0 - 1	± 0.03	CHECK	GARY	DESIGN	PAUL	DRAWN	PAUL	QUANTITY	-----	FILE NAME	ESP2000B.PRT
				1 - 4	± 0.05							PROCESSING	-----	ASSEMBLY NUMBER	-----
				4 - 16	± 0.08							PROJECTION		SURFACE TREATMENT	-----
				16 - 63	± 0.1										
				63 - 250	± 0.2										
NO.	DETAILS	ALTERED BY	DATE	250-1000	± 0.3										