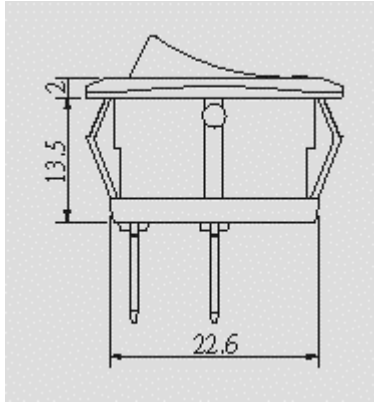


Order code	Manufacturer code	Description
75-0370	R13-203LP B/R RED	SPST FAT ILLUM TOGGLE SWITCH RED LED RC

	Page 1 of 2
The enclosed information is believed to be correct, Information may change without notice due to product improvement. Users should ensure that the product is suitable for their use. E. & O. E.	Revision A 20/02/2007



25A 12V DC

Ø24

4 mm max

R13-203

FUNCTION	TERMINAL
<p>A</p>	<p>01 .250" Quick connect</p> <p>05 Solder</p>
<p>B</p>	
<p>C</p>	
<p>L</p>	



- Rating
- 30A 12V DC
- Contact resistance
- 50mΩ[Max
- Insulation resistance
- DC 500V 100MΩ[Min
- Dielectric strength
- AC 1500V 1 minute

R13-203