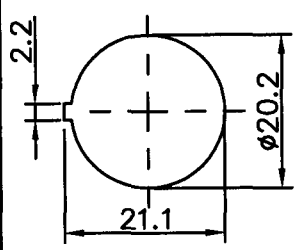
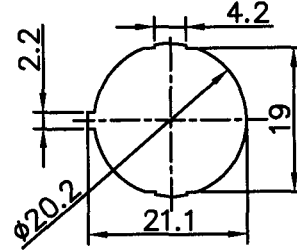
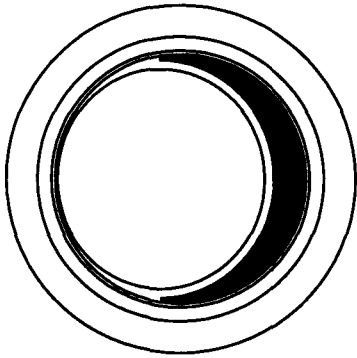


Rocker switches

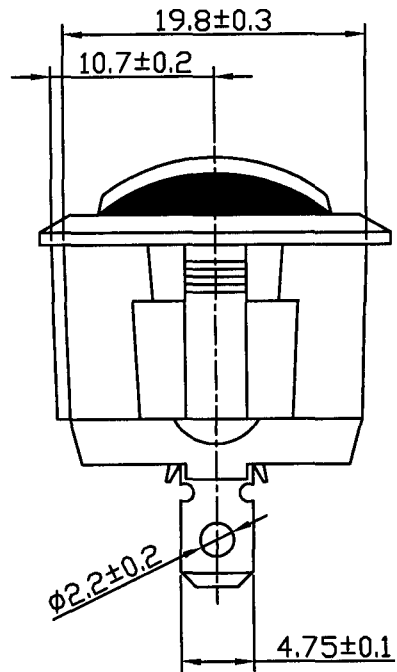
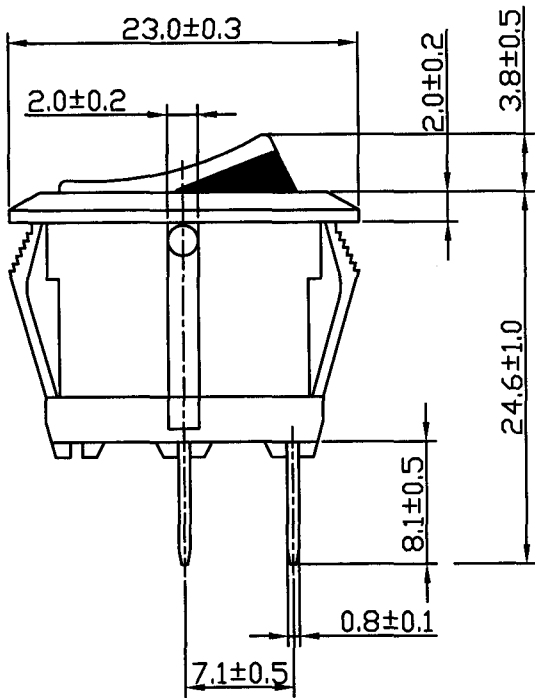
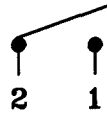
Order code	Manufacturer code	Description
75-0480	n/a	SPST TWO COLOUR ROCKER SWITCH

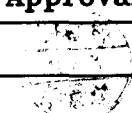
Rocker switches	Page 1 of 2
The enclosed information is believed to be correct, Information may change 'without notice' due to product improvement. Users should ensure that the product is suitable for their use. E. & O. E.	Revision A 04/07/2003

Rating	10A 125V,6A 250V AC	Mount Hole	
Contact R	50m ohm Max.	 <p>Thickness: 2.0~3.0</p>	 <p>Thickness: 0.7~3.0</p>
Insulation R	DC 500V 100M ohm Min.		
Dielectric Strength	AC 1500V 1 minute		
Circuit	2P SPST ON-OFF		
Notices			



Circuit Structure



Customer No.			No.	Date	Name	Descriptions
SCI No.						
Model No.	R13-112A2					
Drawing	Check	Approval				
張曉斌						
11/15/01						