

Rocker switches

Order code	Manufacturer code	Description
75-0490	n/a	SPST ILLUMINATED ROCKER (115V) (RC)
75-0492	n/a	SPST ILLUMINATED ROCKER (230V) RC

Rocker switches	Page 1 of 2
The enclosed information is believed to be correct, Information may change without notice due to product improvement. Users should ensure that the product is suitable for their use. E. & O. E.	Revision A 20/02/2007

Illuminated Miniature Rocker Switch

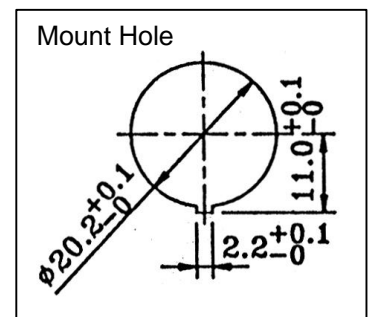
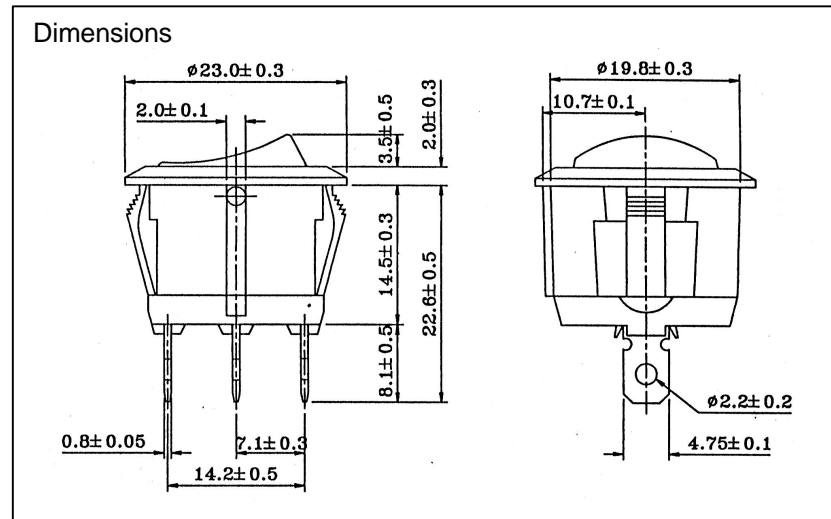
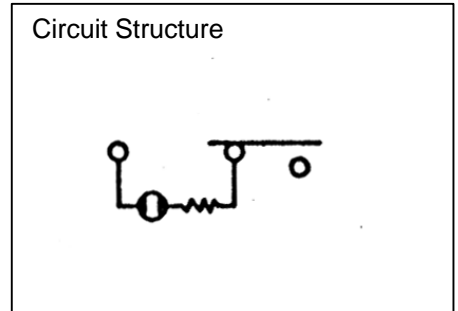
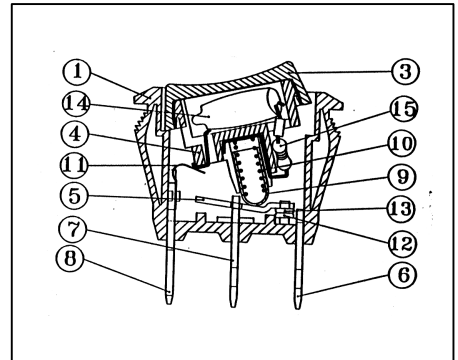
SCI R13-112B Series

Specifications

Model No.	:	R13-112B115V
	:	R13-112B230V
Contact Rating	:	10A 125V AC
	:	6A 250V AC
Contact Resistance	:	50 mΩ max.
Insulation Resistance	:	100MΩ min. @500V DC
Voltage Breakdown	:	1,500V AC 1 minute
Switching Function (Circuit)	:	3P SPS ON-OFF
Terminal Connection	:	4.8 x 0.8 Fast-on

Approvals

UL	:	File No. E67774 (S)
CSA	:	File No. LR 45128-48
VDE	:	File No. 104072
FIMKO	:	File No. 10261
DEMKO	:	File No. 307481
NEMKO	:	File No. P98100600
SEMKO	:	File No. 9619197 02



SCI Ref No.	Description
R13-112B 115V	SPST Illuminated Rocker Switch – 115 Volt
R13-112B 230V	SPST Illuminated Rocker Switch – 230 Volt