

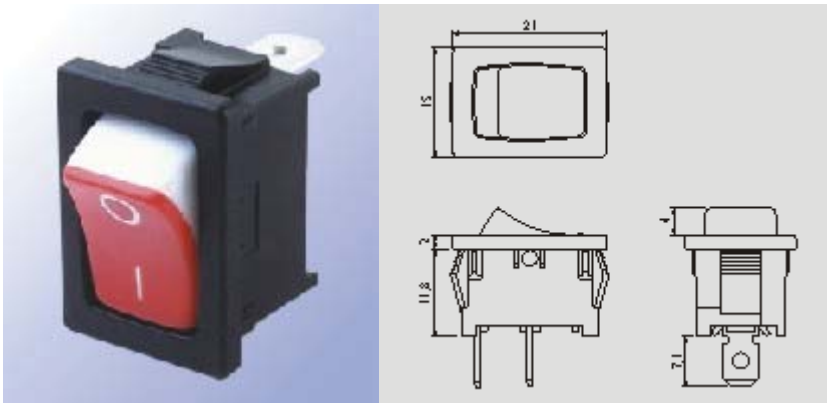
## Rocker switches

Order code	Manufacturer code	Description
75-0736	n/a	SPST ROCKER SWITCH WITH LED (RC)

Rocker switches	Page 1 of 4
The enclosed information is believed to be correct, Information may change 'without notice' due to product improvement. Users should ensure that the product is suitable for their use. E. & O. E.	Revision A 04/07/2003

R13-66

E67774 LR45128 11037-4401



Contact resistance
50mΩ Max
Insulation resistance
DC 500V 100MΩ Min
Dielectric strength
AC 1500V 1 minute
Cut-out

X



	X	Y
0.75~1.25	19.2-0.1	13.0+0.1
1.25~2	19.4-0.1	13.0+0.1
2~3	19.8-0.1	13.0+0.

### FEATURES

- MATERIAL: Frames are nylon (UL flame: 94V-2). Terminals are silver plated brass.
- Illuminated actuators are molded in PC, available with red, amber, and green colors.
- Snap-in mounting, easy to install switch into panel.
- Waterproof cover is optional.
- Dust resistant.

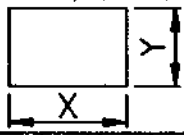
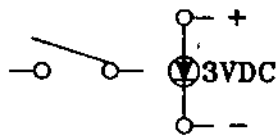


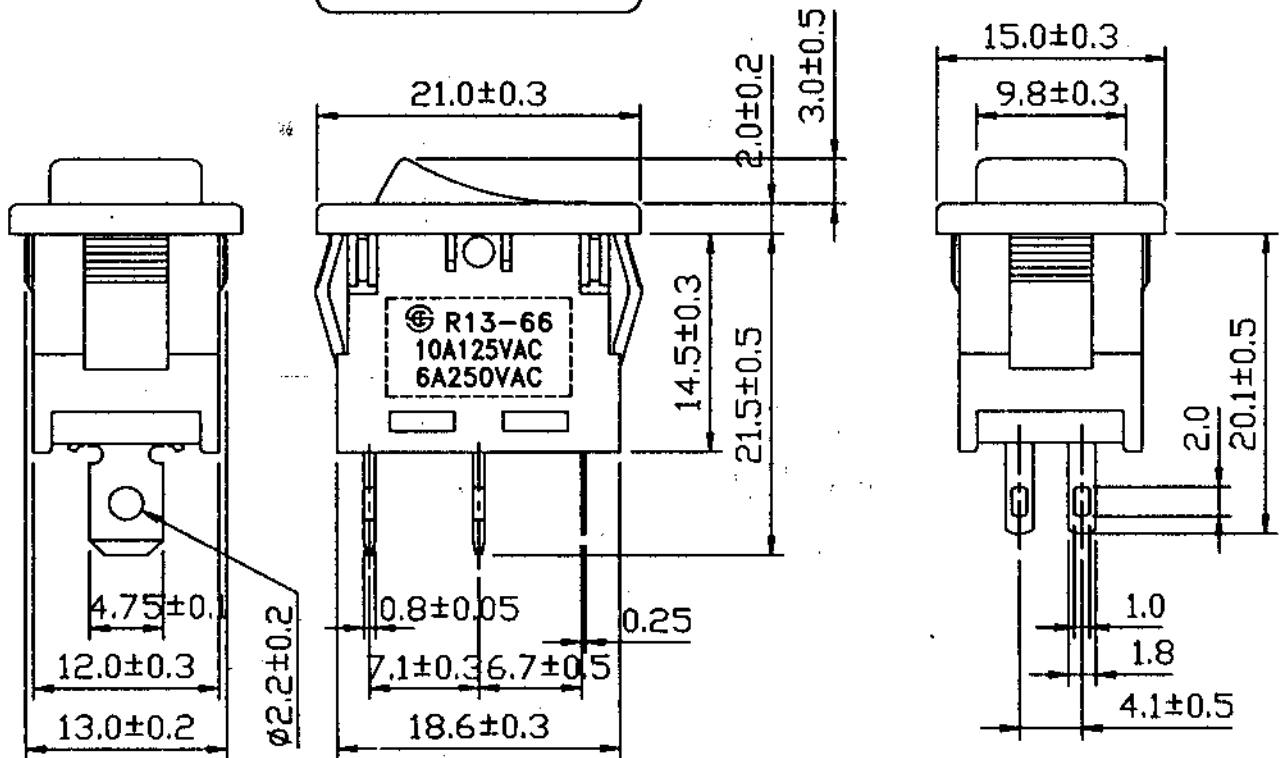
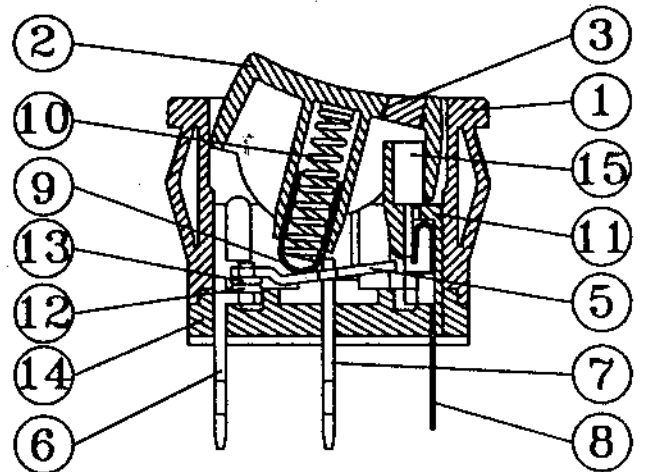
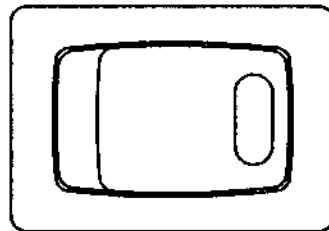
Waterproof toggle

R13-66

FUNCTION		RATING	TERMINAL
<b>A</b> 	<b>E</b> 	<b>10A</b> 125V AC <b>6A</b> 250V AC	<b>02</b>
<b>A 3</b> 	<b>F</b> 	<b>16A</b> 125V AC <b>10A</b> 250V AC	<b>05</b>
<b>B</b> 	<b>G</b> 	<b>6A</b> 125V AC <b>3A</b> 250V AC	<b>09</b>
<b>B 2</b> 	<b>H</b> 		<b>10</b>
<b>C</b> 	<b>I</b> 		* ( ) =momentary
<b>D</b> 	<b>L</b> 		



Rating	10A 125V, 6A 250V AC	Mount Hole	Circuit Structure	
Contact R	50m ohm Max.			
Insulation R	DC 500V 100M ohm Min.			
Dielectric Strength	AC 1500V 1 minute	Thickness	X	Y
Circuit	2P SPST ON-OFF	0.75...1.25	19.2-0.1	13+0.1
		1.25...2	19.4-0.1	13+0.1
		2...3	19.8-0.1	13+0.1



Spec-No.	R13-66L		No.	Note	Date	Name
Date						
Drawing	Check	Approval				
王佰山		李号程				
Jul-29-95		7/28-95				