

Universal housings - UCS 145-125-F-GD-RPI 9005 - 1019720

Please be informed that the data shown in this PDF Document is generated from our Online Catalog. Please find the complete data in the user's documentation. Our General Terms of Use for Downloads are valid (<http://phoenixcontact.com/download>)



Complete housing for printed-circuit boards. Includes housing half shells, side panels with openings for all relevant connections, adhesive pads for affixing the Raspberry Pi model B2 and B3 computers, screws for housing and PCB attachment; black housing with turquoise blue corner inlays

Your advantages

- ✓ High degree of application flexibility, thanks to the modular housing design
- ✓ Flexible PCB attachment, adapts to virtually all form factors
- ✓ Practical customization options
- ✓ Reduced logistics outlay, thanks to components which are compatible with one another
- ✓ Delivery as a complete housing with ready-machined side panels



Key Commercial Data

Packing unit	1 pc
GTIN	
GTIN	4055626507439
Weight per Piece (excluding packing)	360.000 g
Custom tariff number	85389099
Country of origin	Germany
Sales Key	ACFCAA

Technical data

Item properties

Type	UCS 145-125-F-GD-RPI 9005
Order No.	1019720
Housing type	Universal housings
Type	Flat design
Max. IP code to attain	IP20
Ventilation openings present	no

Measurements

Universal housings - UCS 145-125-F-GD-RPI 9005 - 1019720

Technical data

Measurements

Caption	Schematic representation – for additional information, see product range drawing in the Download Center
Width [w]	145 mm
Height [h]	125 mm
Depth [d]	47 mm
Dimensions	120 mm x 100 mm (Maximum circuit board dimensions)

Material specifications

Housing material	PC
Surface characteristics	untreated
Color (RAL)	black (9005)
Insulating material	PC
CTI according to IEC 60112	225
Flammability rating according to UL 94	V0

Ambient conditions

Ambient temperature (storage/transport)	-40 °C ... 55 °C
Ambient temperature (assembly)	-5 °C ... 100 °C
Ambient temperature (operation)	-40 °C ... 105 °C (depending on power dissipation)
Relative humidity (storage/transport)	80 %

PCB data

Number of PCB holders	1
Note on PCB holders	This product is prepared for a printed-circuit board. Additional printed-circuit boards can be mounted using adhesive pads (accessories).
PCB thickness	0.8 mm ... 3 mm
Total PCB surface	12000 mm ²
Type of PCB mount	Bolt mounting
Supported form factors	Raspberry Pi

Power dissipation, single housing at 20 °C

Ambient temperature	20 °C
Reduction factor	1
Mounting position	vertical
Power dissipation	11 W

Power dissipation, single housing at 30 °C

Ambient temperature	30 °C
Reduction factor	0.85
Mounting position	vertical
Power dissipation	9.4 W

Power dissipation, single housing at 40 °C

Ambient temperature	40 °C
Reduction factor	0.7

Universal housings - UCS 145-125-F-GD-RPI 9005 - 1019720

Technical data

Power dissipation, single housing at 40 °C

Mounting position	vertical
Power dissipation	7.7 W

Power dissipation, single housing at 50 °C

Ambient temperature	50 °C
Reduction factor	0.55
Mounting position	vertical
Power dissipation	6 W

Power dissipation, single housing at 60 °C

Ambient temperature	60 °C
Reduction factor	0.4
Mounting position	vertical
Power dissipation	4.4 W

Mechanical strength/tumbling barrel

Specification	IEC 60068-2-31:2008-05
Height of fall	50 cm
Number of drop cycles	50

Vibration test

Specification	IEC 60068-2-6:2007-12
Frequency	10 - 150 - 10 Hz
Sweep speed	1 octave/min
Amplitude	0.15 mm (10 - 58.1 Hz)
Acceleration	2g (58.1 - 150 Hz)
Test duration per axis	2.5 h
Test directions	X-, Y- and Z-axis

Shock

Specification	IEC 60068-2-27:2008-02
Pulse shape	Half-sine
Acceleration	15g
Shock duration	11 ms
Number of shocks per direction	3
Test directions	X-, Y- and Z-axis (pos. and neg.)

Thermostability (ball thrust test)

Specification	IEC 60695-10-2:2014-02
Temperature	125 °C
Test duration	1 h
Force	20 N

Test for assessing the risk of fire (glow wire)

Specification	DIN EN 60695-2-11 (VDE 0471-2-11):2014-11
---------------	---

Universal housings - UCS 145-125-F-GD-RPI 9005 - 1019720

Technical data

Test for assessing the risk of fire (glow wire)

Temperature	850 °C
Time of exposure	30 s

Test for substances that would hinder coating with paint or varnish

Result	Test passed
Specification	VW PV 3.10.7:2005-02

Degrees of protection provided by enclosures (IP code)

Specification	IEC 60529:1989-11 + AMD 1:1999-11 + AMD 2:2013-08
Result, degree of protection, IP code	IP20

General information

Note	The housing can be opened a maximum of 10 times.
	Attach the adhesive pads: Make sure that the surface of the housing is clean, dry, and free of grease. Temperature range: +18°C ... +30°C / Closing pressure force: 60 N / Closing pressure time: 3 s
	Refer to the data sheet for the range in the download area.

Note on mounting

Tightening torque / rotational speed	Screw connection between housing halves: 1.2 Nm-1.4 Nm / 500 rpm-1000 rpm
	Mounting the PCB: 0.4 Nm-0.5 Nm / 500 rpm-1000 rpm
Drive form screw head	Screw connection between housing halves: Slotted Torx® (T10)
	Mounting the PCB: Slotted Torx® (T7)

Packaging information

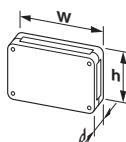
Type of packaging	Box packaging
Pieces per package	1
Denomination packing units	Pcs.

Standards and regulations

Flammability rating according to UL 94	V0
--	----

Drawings

Dimensional drawing



Schematic representation – for additional information, see product range drawing in the Download Center

Universal housings - UCS 145-125-F-GD-RPI 9005 - 1019720

Classifications

eCl@ss

eCl@ss 10.0.1	27182702
eCl@ss 11.0	27182702
eCl@ss 5.1	27180506
eCl@ss 6.0	27180800
eCl@ss 7.0	27182702
eCl@ss 9.0	27182702

ETIM

ETIM 6.0	EC001031
ETIM 7.0	EC001031

UNSPSC

UNSPSC 18.0	31261501
UNSPSC 19.0	31261501
UNSPSC 20.0	31261501
UNSPSC 21.0	31261501

Accessories

Accessories

Screwdriver tools

Screwdriver - SF-TXH 10X80 - 1200149



Screwdriver, Torx® with bore hole, TX 10 x 80, two-component handle

Screw insert - SF-BIT-TX 10-50 - 1212573



Screw bit, Torx®, E6.3-1/4" drive, size: TX 10 x 50 mm, hardened, suitable for holder according to DIN 3126-F6.3/ISO 1173

Torque tool

Universal housings - UCS 145-125-F-GD-RPI 9005 - 1019720

Accessories

Battery-powered screwdriver - SF-ASD 21 - 1212532



Cordless screwdriver, incl. 1.5 Ah battery, forward/reverse running, 21-stage coupling, up to 600 rpm, 6.3 mm hexagonal fast connection drill chuck, torque can be adjusted from 0.3 ... 4.4 Nm

Torque screwdriver - TSD-M 1,2NM - 1212224



Torque screw driver, accuracy as per EN ISO 6789 standard, adjustable from 0.3 - 1.2 Nm

Additional products

Corner inlay - UCS CC 7035 - 2203395

Corner inlay for UCS housings, material: polyamide, color: light gray, similar to RAL 7035



Corner inlay - UCS CC 9005 - 2203396

Corner inlay for UCS housings, material: polyamide, color: black, similar to RAL 9005



Screw set - UCS SF 3,5X20 - 2203402



Screw set for creating a UCS housing of height 47 mm

Universal housings - UCS 145-125-F-GD-RPI 9005 - 1019720

Accessories

Screw set - UCS SF 3,5X40 - 2203403



Screw set for creating a UCS housing of height 67 mm

Mounting set - UCS GD 9005 - 2203401



Adhesive screw boss, for securing the printed-circuit board, material: polyamide; content 4 pieces with screws 2.5 x 8

Stand - UCS PED 9005 - 2203393



Stand for mounting the UCS housing; height: 47 mm; material: polyamide; color: black, similar to RAL 9005; wall mounting option is integrated, snaps into the screw holes of the housing

Stand - UCS PED 7035 - 2203392



Stand for mounting the UCS housing; height: 47 mm; material: polyamide; color: light gray, similar to RAL 7035; wall mounting option is integrated, snaps into the screw holes of the housing

Stand - UCS PED 5018 - 2203394



Stand for mounting the UCS housing, height: 47 mm; material: polyamide; color: turquoise blue, similar to RAL 5018; wall mounting option is integrated, snaps into the screw holes of the housing

Universal housings - UCS 145-125-F-GD-RPI 9005 - 1019720

Accessories

Wall bracket - UCS WM-B 7035 - 2203718



Adapter for mounting the UCS housing on the wall, material: polyamide, color: light gray similar to RAL 7035, used instead of UCS CC corner insert; only used in conjunction with UCS GD 9005 adhesive pad

Wall bracket - UCS WM-B 9005 - 2203719



Adapter for mounting the UCS housing on the wall, material: polyamide, color: black similar to RAL 9005, used instead of UCS CC corner insert; only used in conjunction with UCS GD 9005 adhesive pad

Wall bracket - UCS WM-B 5018 - 2203391



Adapter for mounting the UCS housing on the wall, material: polyamide, color: turquoise similar to RAL 5018, used instead of UCS CC corner insert. Only used in conjunction with UCS GD 9005 adhesive pad

Stand - UCS PED 7035 - 2203392



Stand for mounting the UCS housing; height: 47 mm; material: polyamide; color: light gray, similar to RAL 7035; wall mounting option is integrated, snaps into the screw holes of the housing

Stand - UCS PED 9005 - 2203393



Stand for mounting the UCS housing; height: 47 mm; material: polyamide; color: black, similar to RAL 9005; wall mounting option is integrated, snaps into the screw holes of the housing

Universal housings - UCS 145-125-F-GD-RPI 9005 - 1019720

Accessories

Stand - UCS PED 5018 - 2203394



Stand for mounting the UCS housing, height: 47 mm; material: polyamide; color: turquoise blue, similar to RAL 5018; wall mounting option is integrated, snaps into the screw holes of the housing

Corner guards - UCS CP 7035 - 2203346



Adapter for protecting the corners of the UCS housing; material: TPE-U; color: light gray, similar to RAL 7035; held in the screw holes of the housing

Corner guards - UCS CP 9005 - 2203347



Adapter for protecting the corners of the UCS housing; material: TPE-U; color: black, similar to RAL 9005; held in the screw holes of the housing

Corner guards - UCS CP 5018 - 2203348



Adapter for protecting the corners of the UCS housing; material: TPE-U; color: turquoise blue, similar to RAL 5018; held in the screw holes of the housing

Stacking adapters - UCS CS 7035 - 2203720



Adapter for stacking several UCS housings of one size; material: TPE-U; color: light gray, similar to RAL 7035; held in the screw holes of the housing

Universal housings - UCS 145-125-F-GD-RPI 9005 - 1019720

Accessories

Stacking adapters - UCS CS 9005 - 2203721



Adapter for stacking several UCS housings of one size; material: TPE-U; color: black, similar to RAL 9005; held in the screw holes of the housing

Stacking adapters - UCS CS 5018 - 1029039



Adapter for stacking several UCS housings of one size; material: TPE-U; color: turquoise blue, similar to RAL 5018; held in the screw holes of the housing

Fiber optic - HS LC-H-D2/ R2XC1-2,54 - 2202316



Light guides, passive, rigid, can be used for the ME, ME-MAX, ME-IO, ME PLC, and EH housing ranges (housing must be processed)

Fiber optic - HS LC-H-D2/ R2XC2-2,54 - 2202317



Light guides, passive, rigid, can be used for the ME, ME-MAX, ME-IO, ME PLC, and EH housing ranges (housing must be processed)

Fiber optic - HS LC-H-D2/ R2XC5-2,54 - 2202318



Light guides, passive, rigid, can be used for the ME, ME-MAX, ME-IO, ME PLC, and EH housing ranges (housing must be processed)

Universal housings - UCS 145-125-F-GD-RPI 9005 - 1019720

Accessories

Fiber optic - HS LC-H-D2/ R2XC10-2,54 - 2202319



Light guides, passive, rigid, can be used for the ME, ME-MAX, ME-IO, ME PLC, and EH housing ranges (housing must be processed)

DIN rail adapter - UCS DIN 125-F 7035 - 2203838



DIN rail adapter for mounting one UCS 125-87-F housing (long side) or UCS 145-125-F housing (short side) onto an NS 35 DIN rail; will be set into the housing instead of a UCS SW 125 side wall; material: polycarbonate; color: light gray, similar to RAL 7035

DIN rail adapter - UCS DIN 145-F 7035 - 2203839



DIN rail adapter for mounting one UCS 145-125-F housing (long side) or UCS 195-145-F housing (short side) onto an NS 35 DIN rail; will be set into the housing instead of a UCS SW 145 side wall; material: polycarbonate; color: light gray, similar to RAL 7035

DIN rail adapter - UCS DIN 125-F 9005 - 1174338

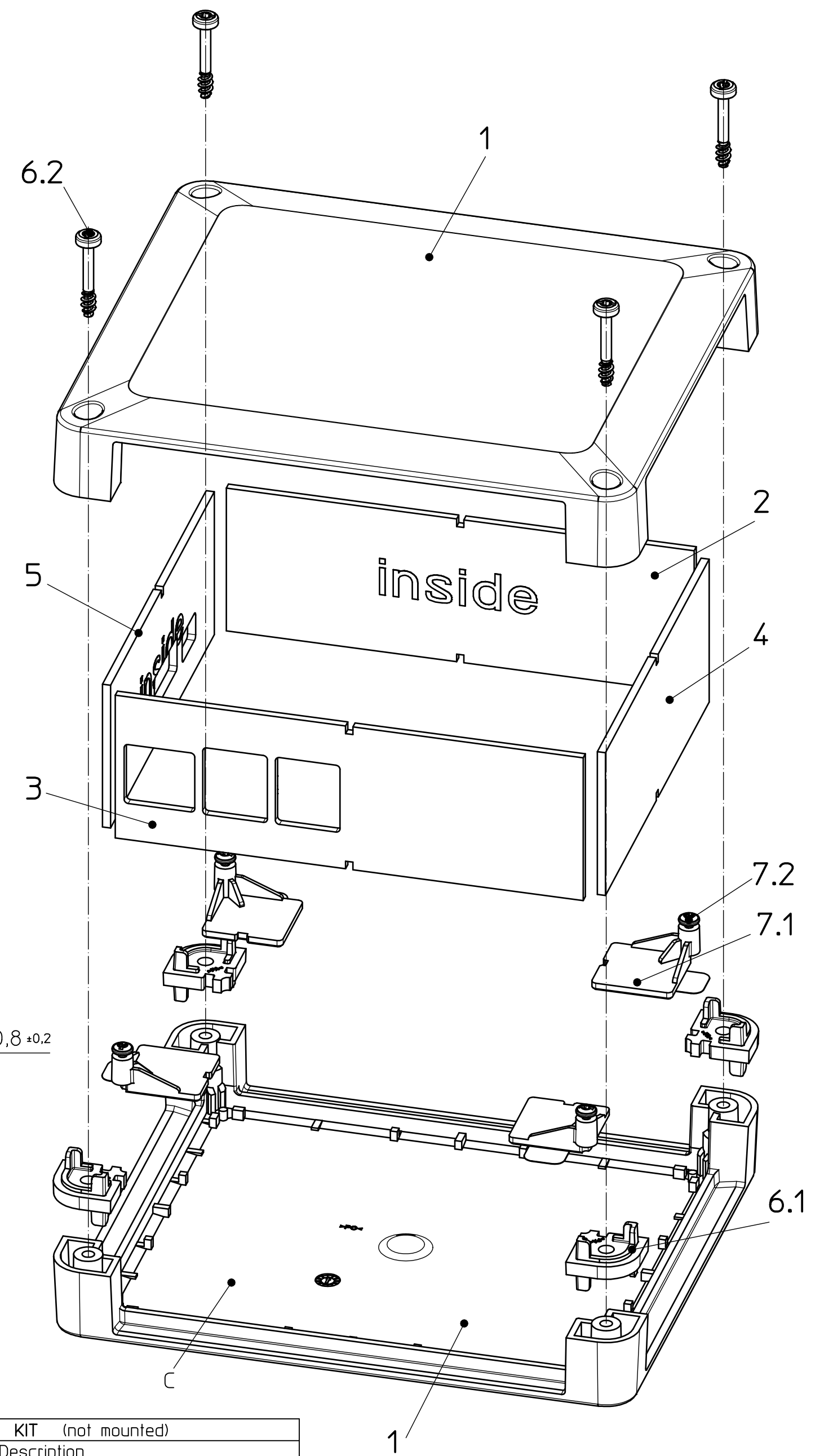
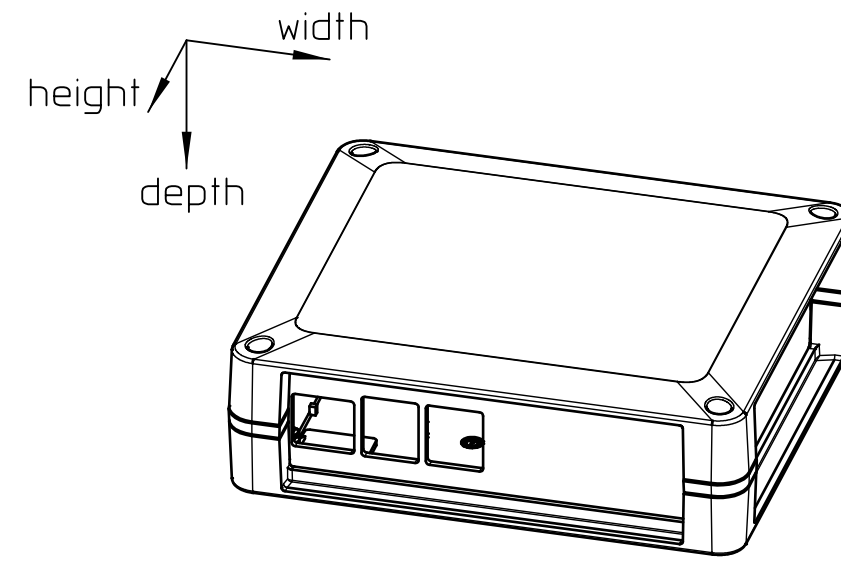
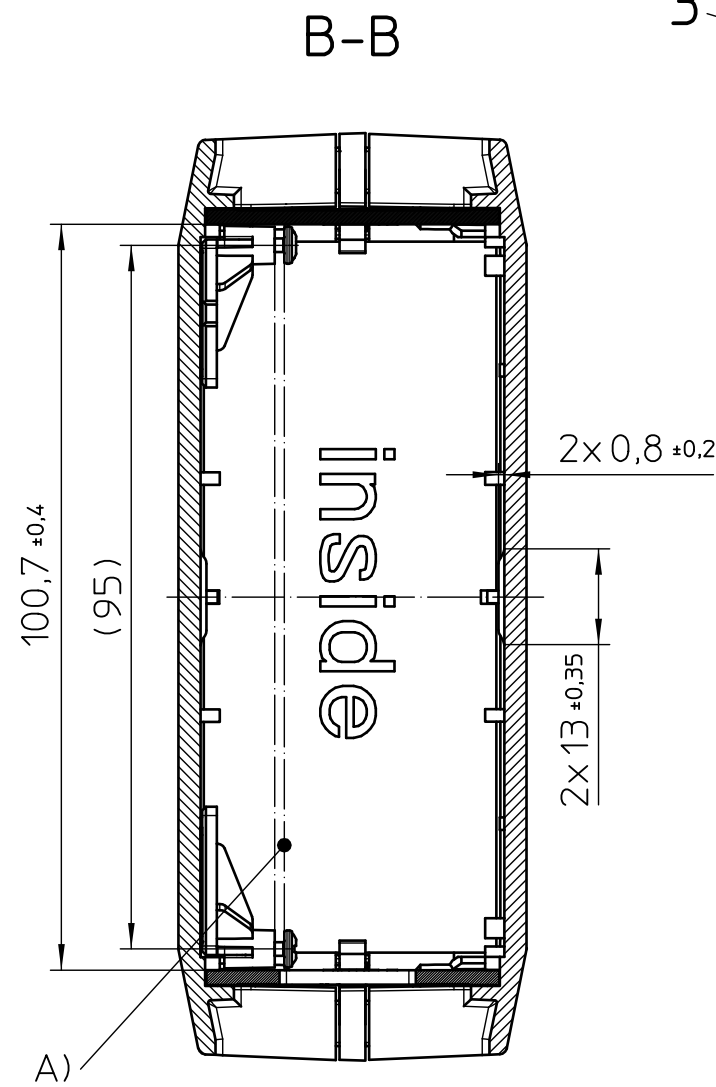
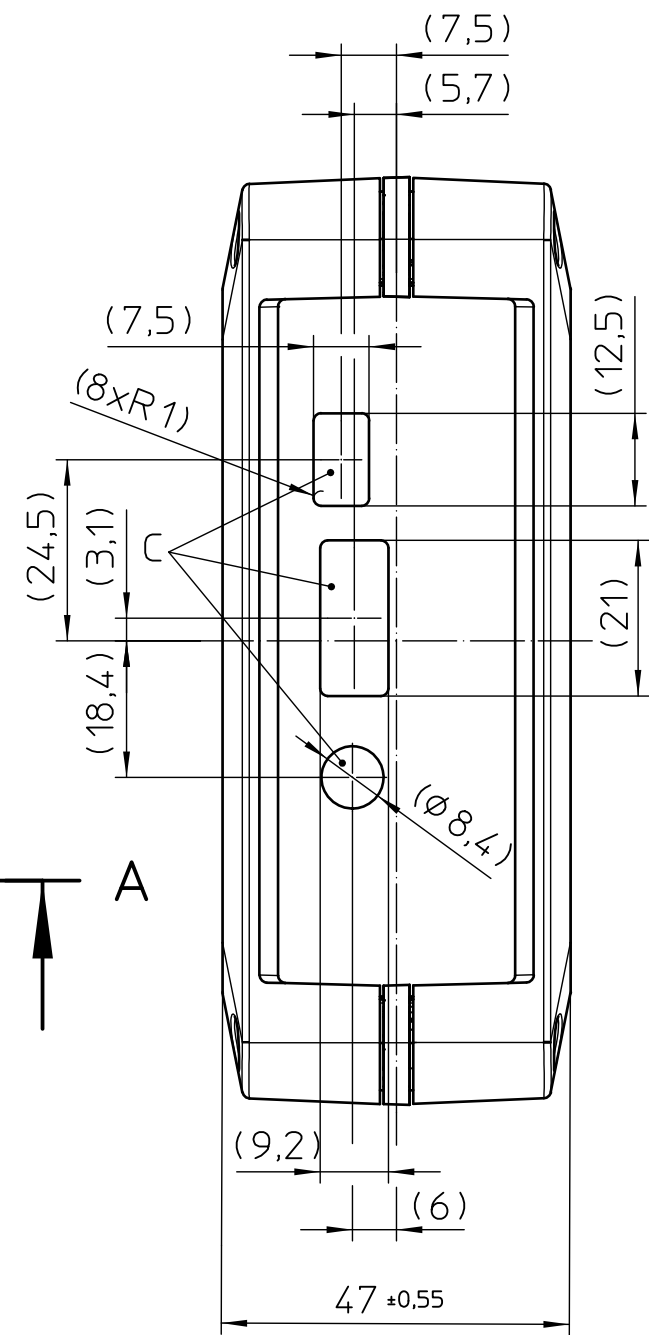
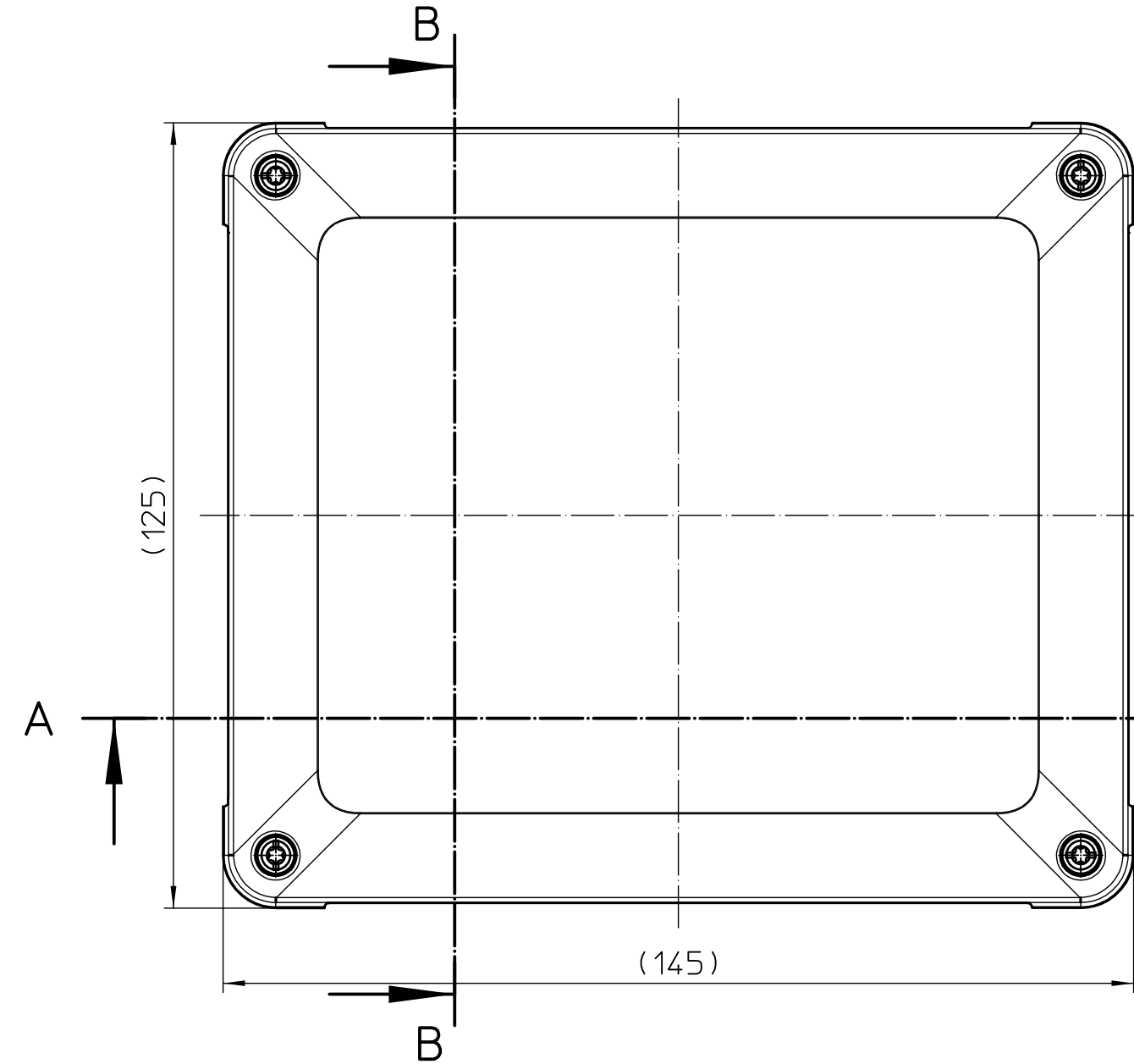
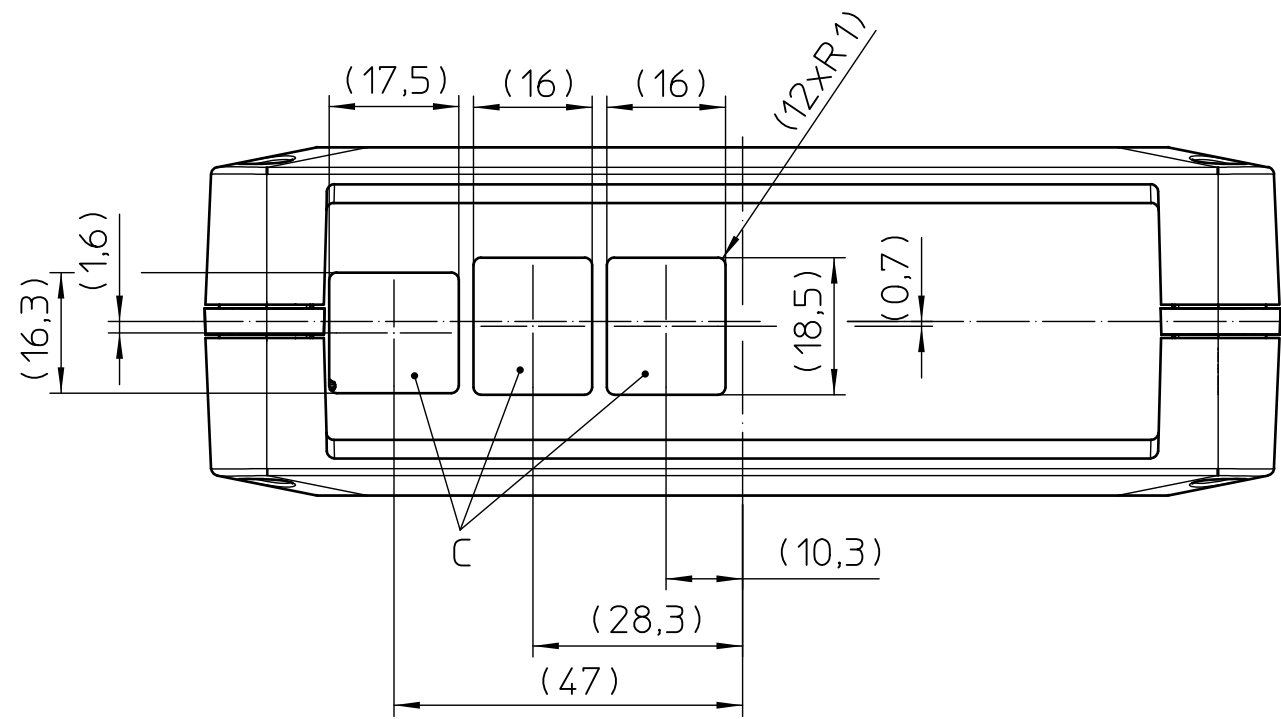
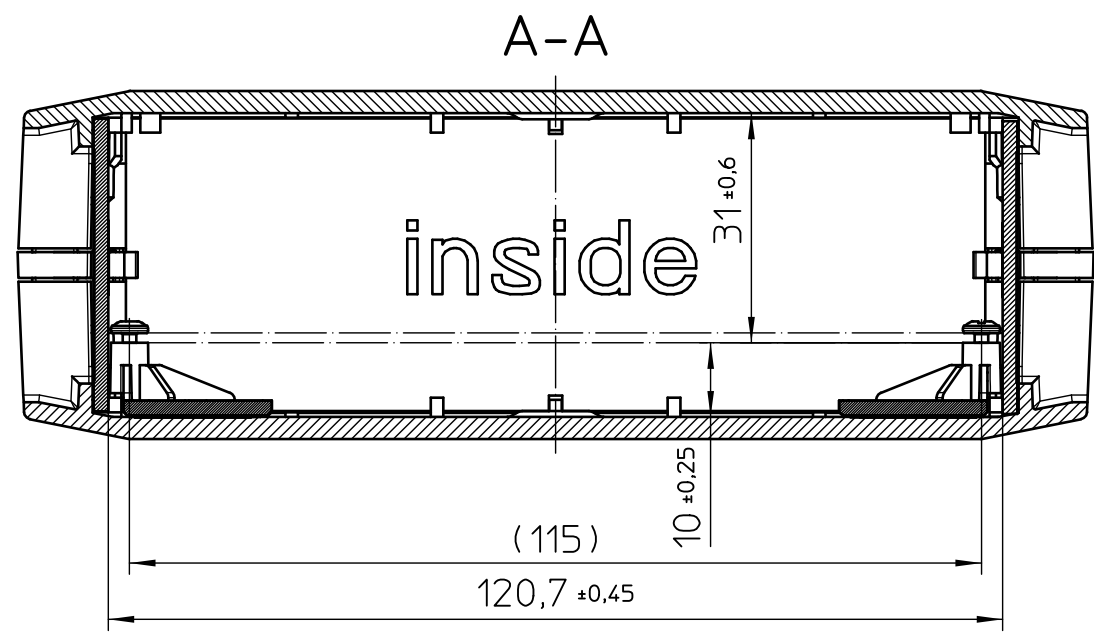


DIN rail adapter for mounting one UCS 125-87-F housing (long side) or UCS 145-125-F housing (short side) onto an NS 35 DIN rail; will be set into the housing instead of a UCS SW 125 side wall; material: polycarbonate; color: black, similar to RAL 9005

DIN rail adapter - UCS DIN 145-F 9005 - 1174341



DIN rail adapter for mounting one UCS 145-125-F housing (long side) or UCS 195-145-F housing (short side) onto an NS 35 DIN rail; will be set into the housing instead of a UCS SW 145 side wall; material: polycarbonate; color: black, similar to RAL 9005



General Information:

- Simplified representation
- Document excluded from change process
- Units are in millimeters [mm] and degrees [°]
- Tolerances apply in a normal climate according to DIN EN ISO 291-23/50-2, PA plastic parts with about 2% (% by weight) moisture content.
- Web: www.phoenixcontact.com webcode: #0853

Additional Information:

- A) PCB t=0,8-3mm
- B) Free position for UCS GD (Pos.7.1+7.2)
example position for max.PCB
- C) Cut-out RPI

KIT (not mounted)		
Pos.	QTY	Description
1	2	HALF HOUSING 145-125
2	1	SIDE WALL 145 FLAT
3	1	SIDE WALL 145 FLAT-RPI-RJ45-USB
4	1	SIDE WALL 125 FLAT
5	1	SIDE WALL 125 FLAT RPI-HDMI
6	1	CORNER CONNECTOR KIT
6.1	4	CORNER CONNECTOR
6.2	4	SCREW PT 3,4X40 TORX
7	1	GLUE DOME KIT
7.1	4	GLUE DOME
7.2	4	SCREW PT 2,5X8 TORX

DIN A2	document-No. / RI 01195364 / 00	date 19.03.2019	scale 1:1
	ident.-No. 1019720	document-type	
page 1 of 1	description UCS 145-125-F-GD-RPI 9005		

Transfer or duplication of this document as well as the utilisation or communication of its content are not permitted unless express consent is granted. Violations give rise to claims for damages. All rights reserved in case of patent, utility model or design patent registrations.

Weitergabe sowie Vervielfältigung dieses Dokuments, Verwertung und Mitteilung seines Inhalts sind verboten, soweit nicht ausdrücklich gestattet. Zuwiderhandlungen verpflichten zu Schadensersatz. Alle Rechte für den Fall der Patent-, Gebrauchsmuster- oder Designeintragung vorbehalten.