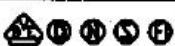
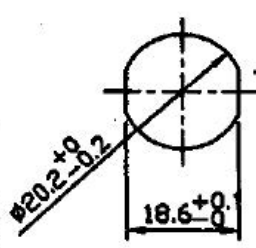
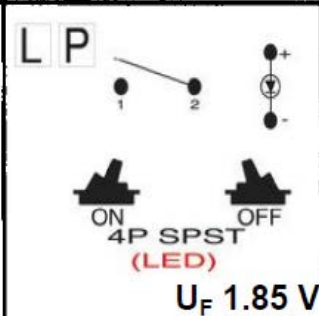



# Rocker Switch

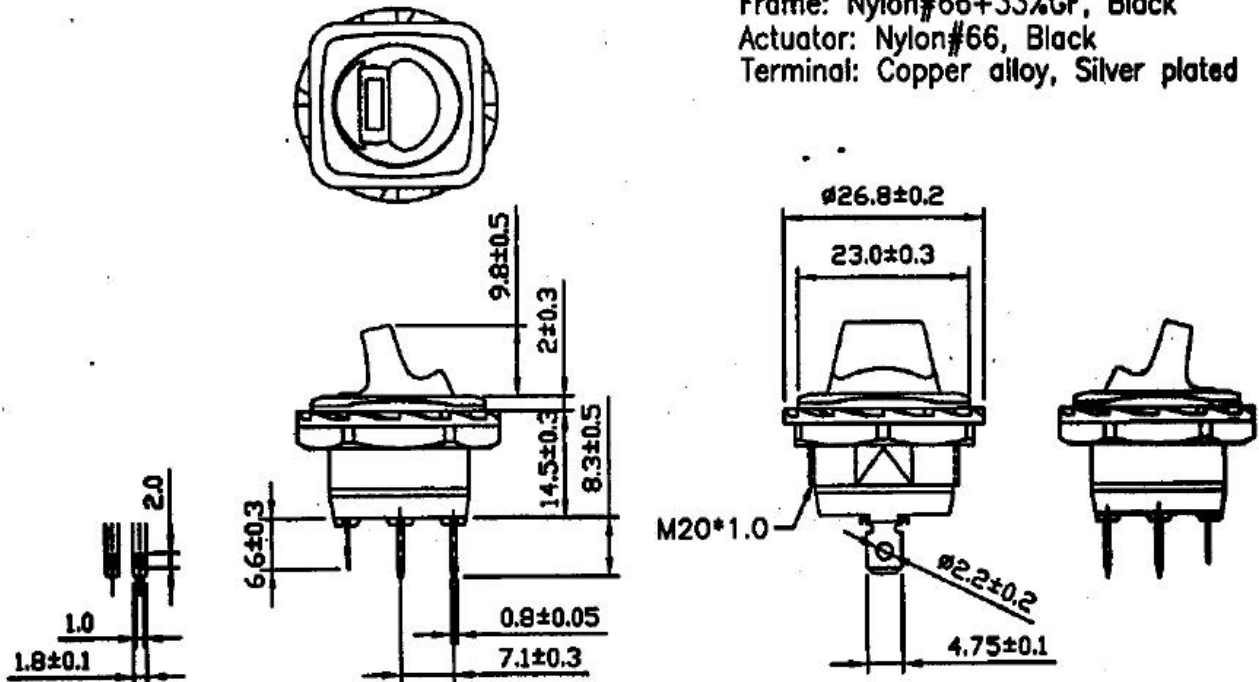
<b>Rating</b>	10A 125V AC 	<b>Mounting Hole</b>	<b>Diagram</b>
	6A 250V AC		
<b>Contact Resistance</b>	50m ohm Max.		 <p>4P SPST (LED) U<sub>F</sub> 1.85 V</p>
<b>Insulation Resistance</b>	DC 500V 100M ohm Min.		
<b>Dielectric Strength</b>	AC 1500V 1 minute		
<b>Operation Tempature</b>	-20°C~85°C		
<b>Switch Function</b>	4P SPST ON-OFF with LED		
	16A 125V AC 10A 250V AC 		

**\*Material**

Frame: Nylon#66+33%GF, Black

Actuator: Nylon#66, Black

Terminal: Copper alloy, Silver plated



1810465	Yellow
1810463	Green
1810459	Red
SCI NO.	LED Color

Unit: mm