

Features:

- High luminous LEDs
- 3mm Round standard directivity
- Superior weather-resistance
- UV Resistant epoxy
- White diffused type

Applications

- Toys
- Games
- Audio
- Other lighting

Absolute maximum rating (Ta=25°C)

Item	Symbol	Value		Unit
		RED	White	
DC Forward current	I_F	30	30	mA
Pulse forward current*	I_{FP}	100	100	mA
Reverse voltage	V_R	5	5	V
Power dissipation	P_D	78	108	mW
Operating temperature	T_{opr}	-30 to +85		°C
Storage temperature	T_{stg}	-40 to +100		°C
Lead soldering temperature	T_{sol}	260°C/5sec		-

* Pulse width max. 10ms Duty ratio max. 1/10

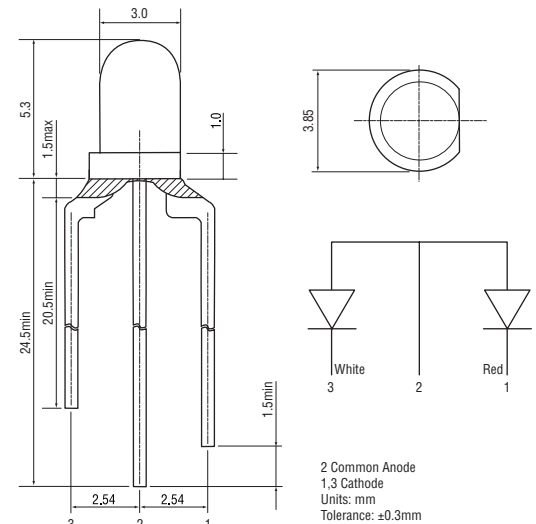
Electrical - Optical characteristics (Ta=25°C)

Item	Symbol	Condition	Min.	Typ.	Max.	Unit
DC Forward voltage	V_F (Red)	$I_F = 20\text{mA}$	1.8	2.1	2.6	V
	V_F (W)	$I_F = 20\text{mA}$	2.8	3.1	3.6	V
DC Reverse current	I_r	$V_R = 5\text{V}$	-	-	10	μA
Dom. wavelength*	λ_D (Red)	$I_F = 20\text{mA}$	619	624	629	nm
	CCT (W)	$I_F = 20\text{mA}$	5500	6500	8500	K
Luminous intensity [†]	I_V (Red)	$I_F = 20\text{mA}$	1120	1560	-	mcd
	I_V (W)	$I_F = 20\text{mA}$	1560	2180	-	mcd
50% Power angle	$2\theta_{1/2}$	$I_F = 20\text{mA}$	-	30	-	deg

* Tolerance of dominant wavelength is $\pm 1\text{nm}$

[†] Tolerance of luminous intensity is $\pm 15\%$

Outline dimensions:



Directivity:

