

Application

- ✓ TV/Video, Audio, Home appliance, Precision apparatus, Automotive, Office equipment, Communication, Musical instruments, Industrial control



Feature

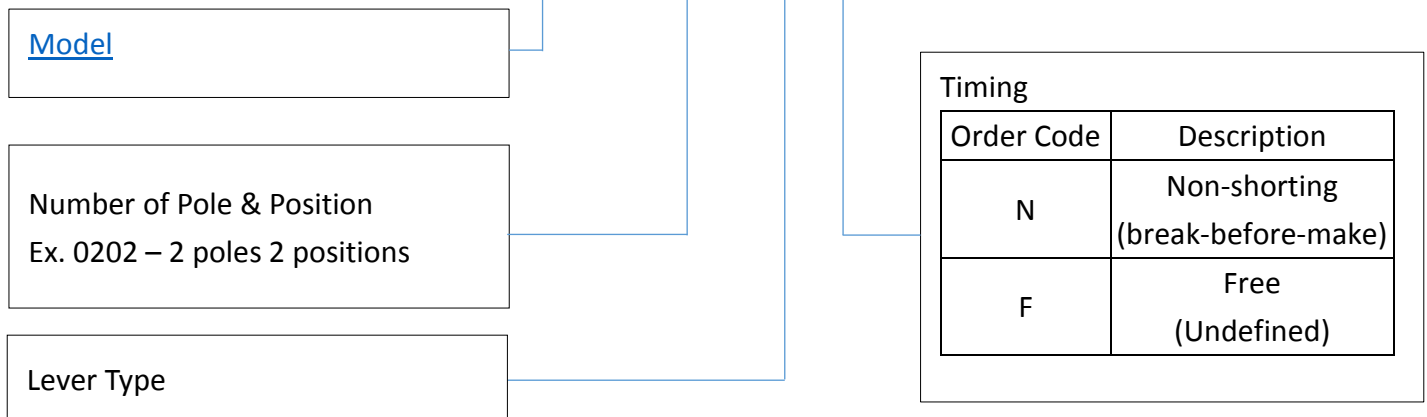
- ✓ Low profile slide switches available for various fields.

■Specification

Operating Temperature Range	-10 °C~70°C
Standard Contact Resistance	25mΩ max.
Operating Life Cycle	10,000 cycles


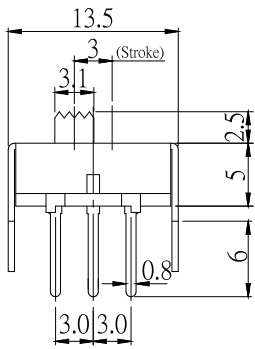
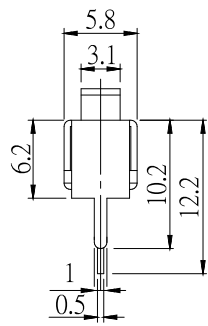
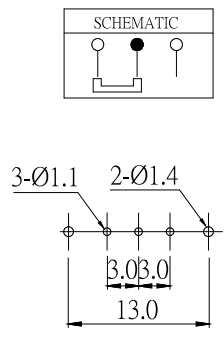
■How to order

SV70050F - 0202 - 6T - N




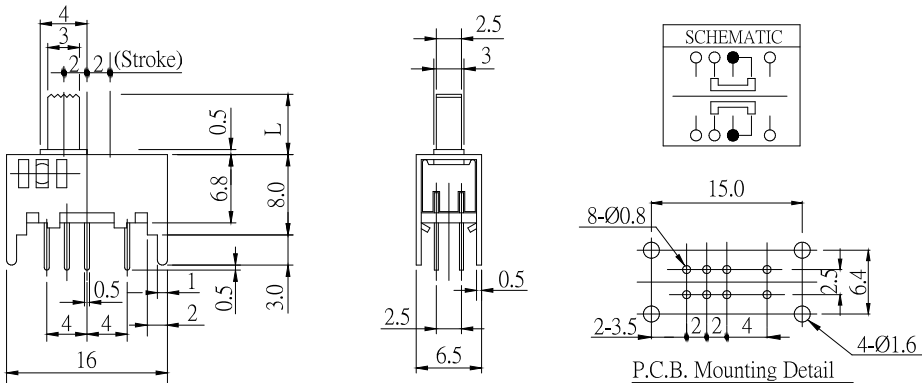

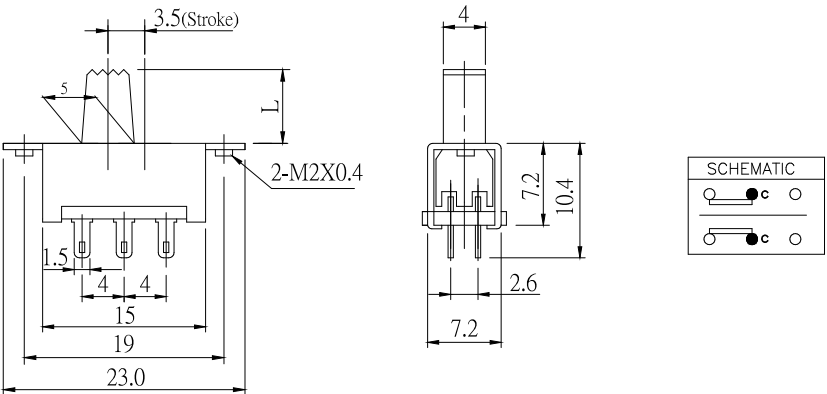

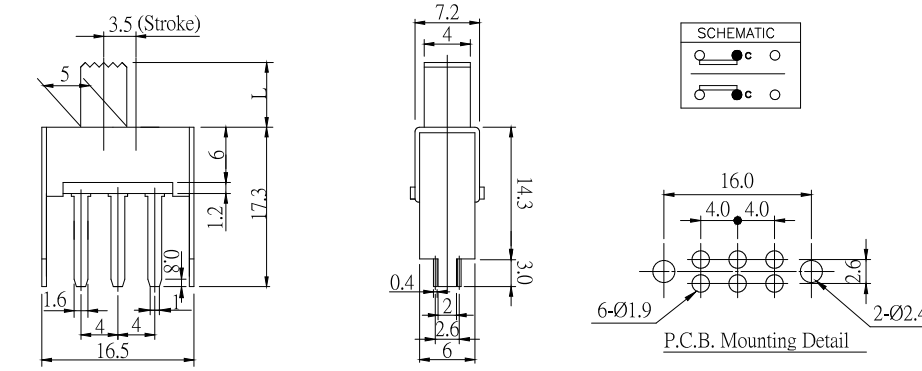
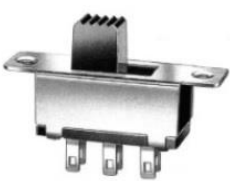
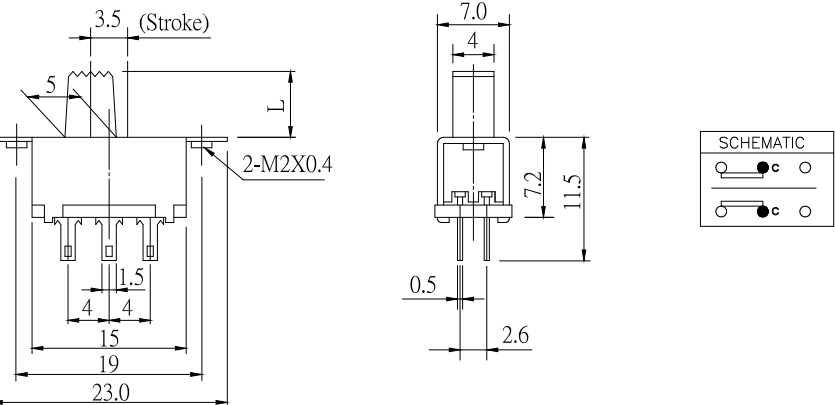
Model Description

Model	Lever Length	Operating Direction	Rating	Timing
SS57010F-0102	2.5	Vertical	AC125V 0.3A	Non-shorting
SS65010F-0203	4.5, 9	Vertical	DC50V 0.5A	Free
SS70010F-0202	3.5, 4, 5, 6, 7.5, 8.5, 10, 12, 14	Vertical	AC125V 0.3A	Non-shorting
SS70020F-0202		Vertical	AC125V 0.3A	Non-shorting
SS70070F-0202		Vertical	AC125V 0.3A	Non-shorting
SS71020F-0203	6, 9	Vertical	AC125V 0.3A	Non-shorting
SS84017F-0403	5.3	Vertical	AC125V 0.3A	Free
SS13010F-0202	0, 8, 10	Vertical	AC125V 0.3A	Non-shorting
SS13010F-0203	8, 10	Vertical	AC125V 0.3A	Non-shorting
SV65020F-0203	6	Horizontal	AC125V 0.3A	Free
SV68010F-0203	4, 6	Horizontal	AC125V 0.3A	Free
SV69010F-0202	4, 6	Horizontal	AC125V 0.3A	Non-shorting
SV70050F-0202	6, 10, 20	Horizontal	AC125V 0.3A	Non-shorting
SV71010F-0202	6	Horizontal	DC30V 0.1A	Non-shorting

Order Code	Outline Drawing
SS57010F-0102-2.5T	   

[Back to top](#)

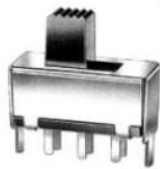
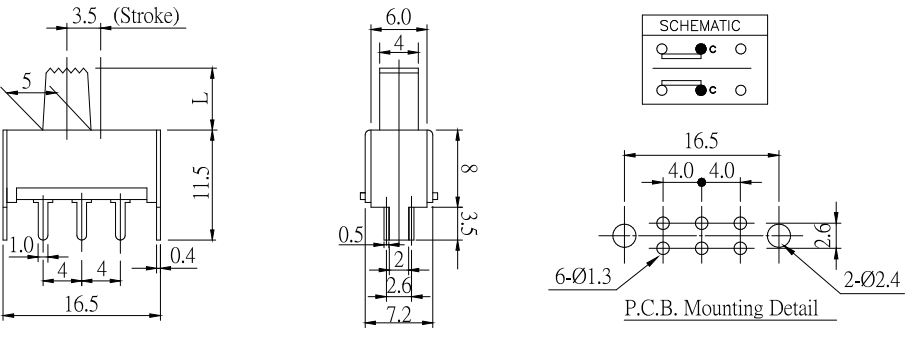

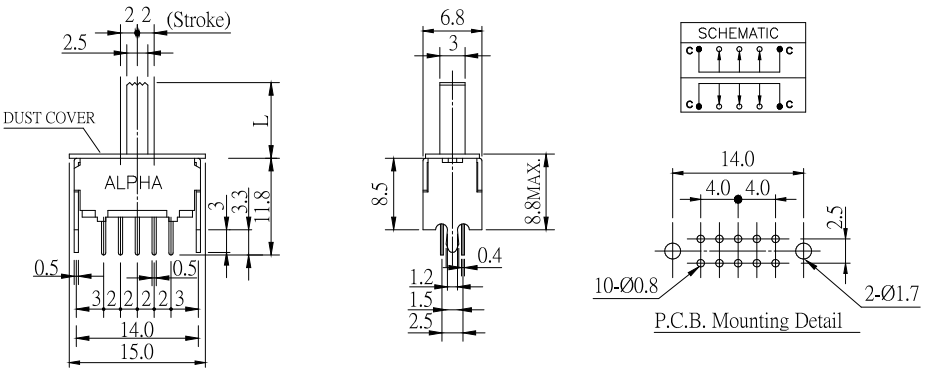
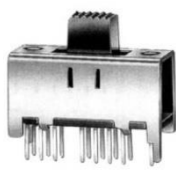
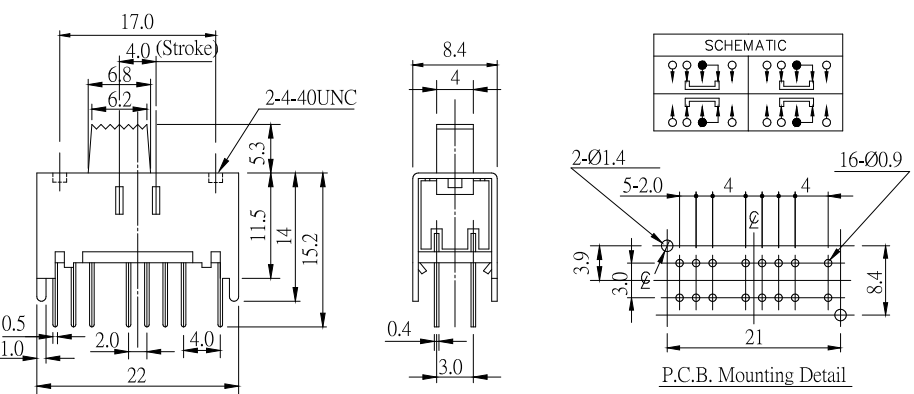
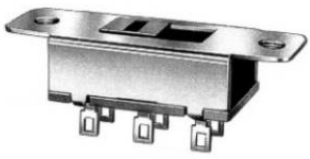
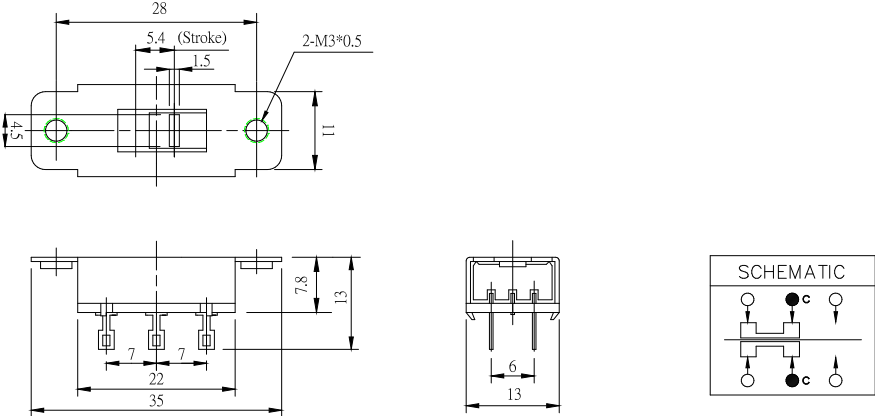
SLIDE SWITCH

Order Code	Outline Drawing
<p>SS65010F-0203-□H</p> 	 <p>P.C.B. Mounting Detail</p>
<p>SS70010F-0202-□T</p> 	 <p>P.C.B. Mounting Detail</p>
<p>SS70020F-0202-□T-021</p> 	 <p>P.C.B. Mounting Detail</p>
<p>SS70010F-0202-□T-011</p> 	 <p>P.C.B. Mounting Detail</p>

[Back to top](#)

SLIDE SWITCH

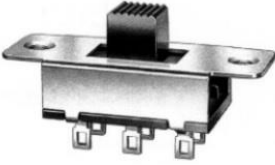
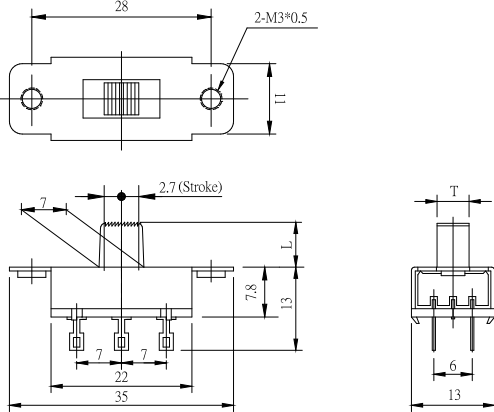
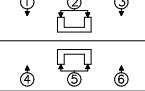
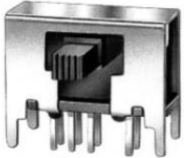
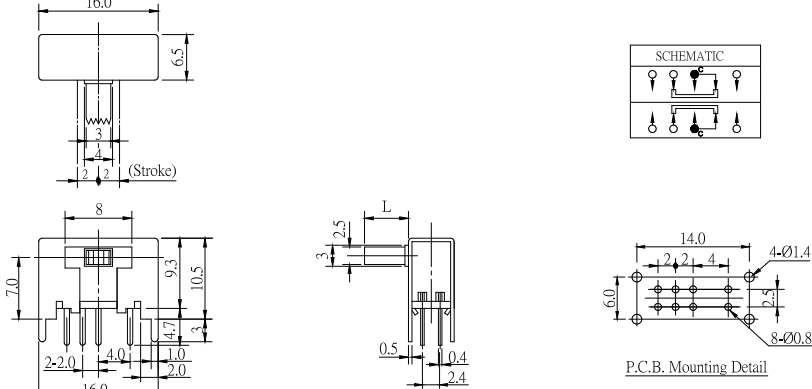
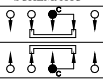
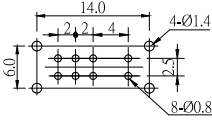
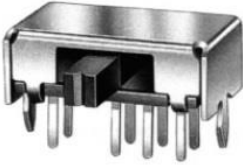
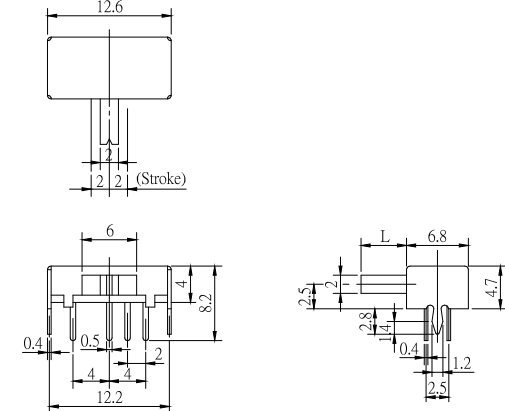
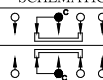
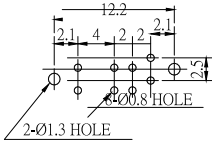

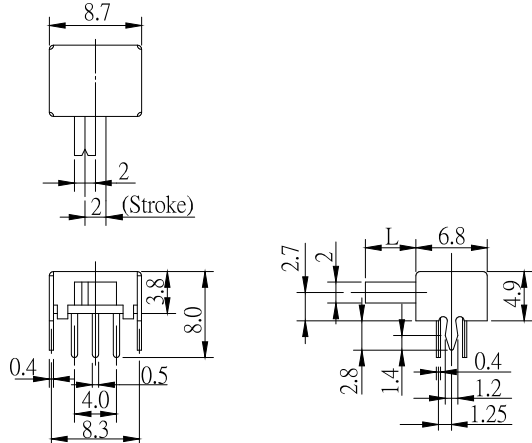
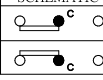
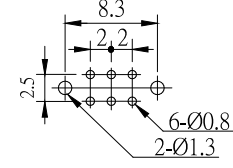


Order Code	Outline Drawing
SS70070F-0202-□T 	 <p>3.5 (Stroke)</p> <p>5</p> <p>L</p> <p>11.5</p> <p>1.0</p> <p>4</p> <p>4</p> <p>0.4</p> <p>16.5</p> <p>6.0</p> <p>4</p> <p>8</p> <p>0.5</p> <p>2</p> <p>2.6</p> <p>7.2</p> <p>3.5</p> <p>SCHMATIC</p> <p>16.5</p> <p>4.0</p> <p>4.0</p> <p>2.6</p> <p>6-Ø1.3</p> <p>2-Ø2.4</p> <p>P.C.B. Mounting Detail</p>
SS71020F-0203-□T-025 	 <p>2.2 (Stroke)</p> <p>2.5</p> <p>DUST COVER</p> <p>ALPHA</p> <p>L</p> <p>3.3</p> <p>11.8</p> <p>3</p> <p>0.5</p> <p>3</p> <p>2</p> <p>2</p> <p>2</p> <p>3</p> <p>14.0</p> <p>15.0</p> <p>6.8</p> <p>3</p> <p>8.5</p> <p>8.8MAX.</p> <p>0.4</p> <p>1.2</p> <p>1.5</p> <p>2.5</p> <p>SCHMATIC</p> <p>14.0</p> <p>4.0</p> <p>4.0</p> <p>2.5</p> <p>10-Ø0.8</p> <p>2-Ø1.7</p> <p>P.C.B. Mounting Detail</p>
SS84017F-0403-□T 	 <p>17.0</p> <p>4.0 (Stroke)</p> <p>6.8</p> <p>6.2</p> <p>2-4-40UNC</p> <p>5.3</p> <p>11.5</p> <p>14</p> <p>15.2</p> <p>0.5</p> <p>1.0</p> <p>2.0</p> <p>4.0</p> <p>22</p> <p>8.4</p> <p>4</p> <p>0.4</p> <p>3.0</p> <p>SCHMATIC</p> <p>2-Ø1.4</p> <p>5-2.0</p> <p>4</p> <p>4</p> <p>16-Ø0.9</p> <p>3.9</p> <p>3.0</p> <p>21</p> <p>8.4</p> <p>P.C.B. Mounting Detail</p>
SS13010F-0202-0 	 <p>28</p> <p>5.4 (Stroke)</p> <p>1.5</p> <p>2-M3*0.5</p> <p>4.5</p> <p>11</p> <p>7.8</p> <p>13</p> <p>7</p> <p>7</p> <p>22</p> <p>35</p> <p>6</p> <p>13</p> <p>SCHMATIC</p>

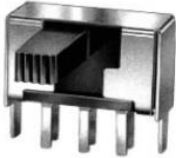
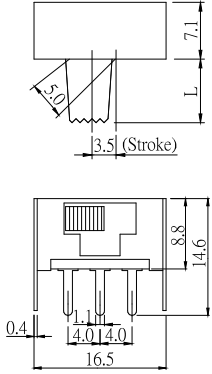
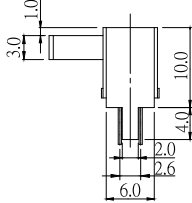
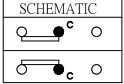
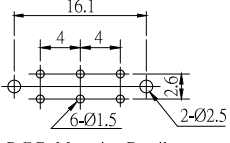

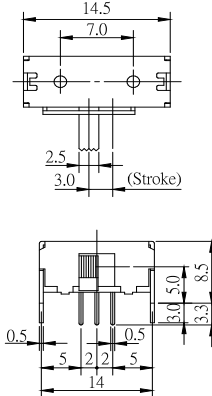
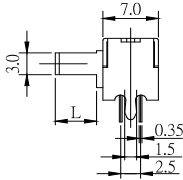
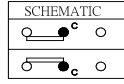
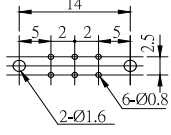
[Back to top](#)

SLIDE SWITCH



Order Code	Outline Drawing	
SS13010F-0203-□T 	 <div data-bbox="1243 533 1447 667" style="border: 1px solid black; padding: 5px; margin-top: 10px;"> <p style="text-align: center;">SCHEMATIC</p>  </div>	
SV65020F-0203-□H-01 	 <div data-bbox="1257 786 1391 880" style="border: 1px solid black; padding: 5px; margin-top: 10px;"> <p style="text-align: center;">SCHEMATIC</p>  </div> <div data-bbox="1230 972 1442 1122" style="border: 1px solid black; padding: 5px; margin-top: 10px;"> <p style="text-align: center;">P.C.B. Mounting Detail</p>  </div>	
SV68010F-0203-□V 	 <div data-bbox="1257 1205 1398 1299" style="border: 1px solid black; padding: 5px; margin-top: 10px;"> <p style="text-align: center;">SCHEMATIC</p>  </div> <div data-bbox="1214 1375 1426 1547" style="border: 1px solid black; padding: 5px; margin-top: 10px;"> <p style="text-align: center;">P.C.B. Mounting Detail</p>  </div>	
SV69010F-0202-□V 	 <div data-bbox="1267 1671 1398 1765" style="border: 1px solid black; padding: 5px; margin-top: 10px;"> <p style="text-align: center;">SCHEMATIC</p>  </div> <div data-bbox="1235 1818 1469 2018" style="border: 1px solid black; padding: 5px; margin-top: 10px;"> <p style="text-align: center;">P.C.B. Mounting Detail</p>  </div>	

[Back to top](#)

Order Code	Outline Drawing		
<p>SV70050F-0202-□T</p> 			<p>SCHEMATIC</p>  <p>P.C.B. Mounting Detail</p> 
<p>SV71010F-0202-□T</p> 			<p>SCHEMATIC</p>  <p>P.C.B. Mounting Detail</p> 

Design and specifications presented here are for the standard parts only. Please kindly contact us for your special requests and ask for the current technical specifications before purchase and/or use.

[Back to top](#)