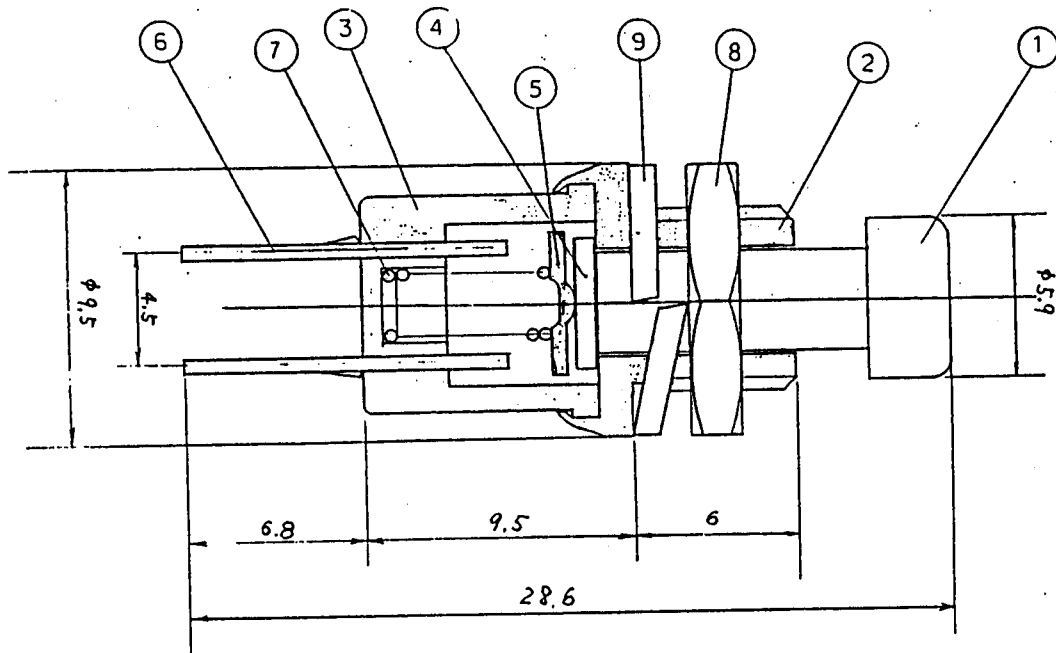


Push switches

Order code	Manufacturer code	Description
77-1220	n/a	n/a
78-0100	n/a	PUSH TO MAKE SWITCH RED RC
78-0105	n/a	PUSH TO BREAK SWITCH BLACK RC
77-1218	n/a	n/a

Push switches	Page 1 of 2
The enclosed information is believed to be correct, Information may change without notice due to product improvement. Users should ensure that the product is suitable for their use. E. & O. E.	Revision A 20/02/2007



TOLERANCE ± 0.3 mm

9	WASHER	1	ST	UNI-CHROMIUM
8	NUT	1	ST	Ni-P
7	SPRING	1	PIANO WIRE	
6	TERMINAL	2	BSR $t=0.5$	Ag-P
5	CONTACT	1	BSR $t=0.4$	Sn-P
4	STOPPER	1	ABS	
3	CASE	1	PC	
2	BODY	1	BSBM	Ni-P
1	KNOB	1	ABS	
LET	PART NAME	QTE	MATERIAL	REMARK
DRAWN	R	SCALE	5/1	TITLE
CKD		3RD ANGLE PROJ		MS-312
APPR		DATE	2.1.27.	DRAWN No.

Electric Character

1. Rating AC125V - 0.5A
2. Withstanding Voltage AC1000V for 1 minute
3. Insulation Resistance Min. DC500V 100 M Ω
4. Contact Resistance Max. 50m Ω