

### Featuring Surface-mounting Terminals, and a Sealed Construction for High Contact Reliability

- Sealed construction conforming to IP67 (IEC-60529) provides high contact reliability in locations exposed to dust or water. (\* Excluding the terminal section.)
- Surface-mounting terminals for high-density mounting.
- Ground terminal available to protect against static electricity.
- Available in embossed tapping packages for automatic insertion.



RoHS Compliant (Refer to page 8 for details.)

## Ordering Information

### 6 × 6-mm B3S-1000

Height	Operating force (OF)	Without ground terminal		With ground terminal	
		Bags (in units of 100 Switches)	Embossed taping (in units of 1,000 Switches)	Bags (in units of 100 Switches)	Embossed taping (in units of 1,000 Switches)
4.3 mm	1.57 N {160 gf}	B3S-1000	B3S-1000P	B3S-1100	B3S-1100P
	2.26 N {230 gf}	B3S-1002	B3S-1002P	B3S-1102	B3S-1102P

**Note:** Switches in bags must be ordered in units of 100 Switches, and Switches on embossed taping must be ordered in units of 3,000 Switches.

## Specifications

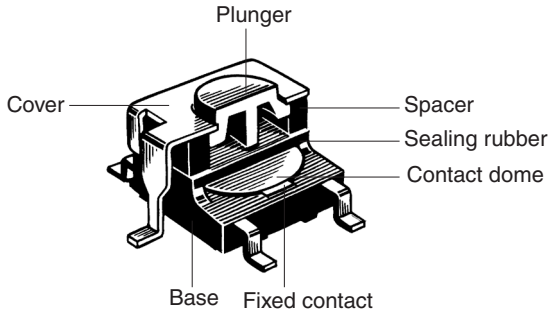
### ■ Ratings/Characteristics

Switching capacity	5 to 24 VDC, 1 to 50 mA (resistive load)
Ambient operating temperature	-25°C to 70°C at 60% max. humidity (with no icing or condensation)
Ambient operating humidity	35% to 85% (at 5 to 35°C)
Contact configuration	SPST-NO
Contact resistance	100 mΩ max. (initial value) (rated: 1 mA, 5 VDC)
Insulation resistance	100 MΩ min. (at 250 VDC)
Dielectric strength	500 VAC, 50/60 Hz for 1 min
Bounce time	5 ms max.
Vibration resistance	Malfunction: 10 to 55 Hz, 1.5-mm double amplitude
Shock resistance	Destruction: 1,000 m/s <sup>2</sup> {approx. 100G} max. Malfunction: 100 m/s <sup>2</sup> {approx. 10G} max.
Life expectancy	Standard force models (1.57 N {160 gf}): 500,000 operations min. High-force models (2.26 N {230 gf}): 300,000 operations min.
Weight	Approx. 0.3 g

### ■ Operating Characteristics

Item	B3S-1□00	B3S-1□02
Operating force (OF)	1.57 N {160 gf} max.	2.26 N {230 gf} max.
Releasing force (RF)	0.2 N {20 gf} min.	0.49 N {50 gf} min.
Pretravel (PT)	0.25 <sup>+0.2</sup> / <sub>-0.1</sub> mm	

# Nomenclature



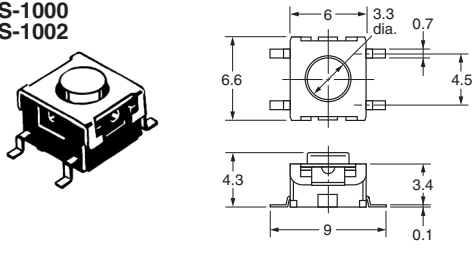
# Dimensions

- Note:**
- All units are in millimeters unless otherwise indicated. Unless otherwise specified, a tolerance of  $\pm 0.4$  mm applies to all dimensions.
  - The numbers used for terminals in the following graphics are indicated in the "Bottom View" diagram below. In this diagram, the Switch is rotated so that the terminals are on the right and left-hand sides, and the OMRON logo appears the right way up.

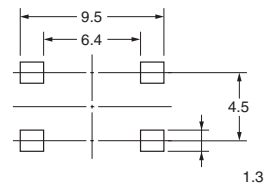


## Without Ground Terminal

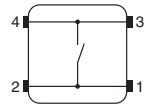
B3S-1000  
B3S-1002



## PCB Pad (Top View)

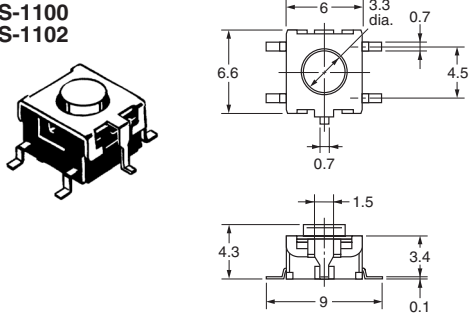


## Terminal Arrangement / Internal Connections (Top View)

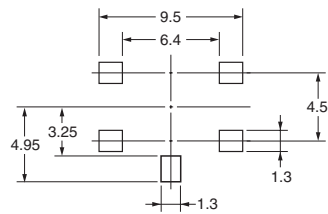


## With Ground Terminal

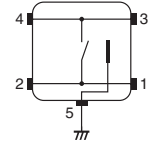
B3S-1100  
B3S-1102



## PCB Pad (Top View)



## Terminal Arrangement / Internal Connections (Top View)



# Precautions

Be sure to read the precautions common to all Tactile Switches on pages 5 to 7 for correct use.

**ALL DIMENSIONS SHOWN ARE IN MILLIMETERS.**  
To convert millimeters into inches, multiply by 0.03937. To convert grams into ounces, multiply by 0.03527.