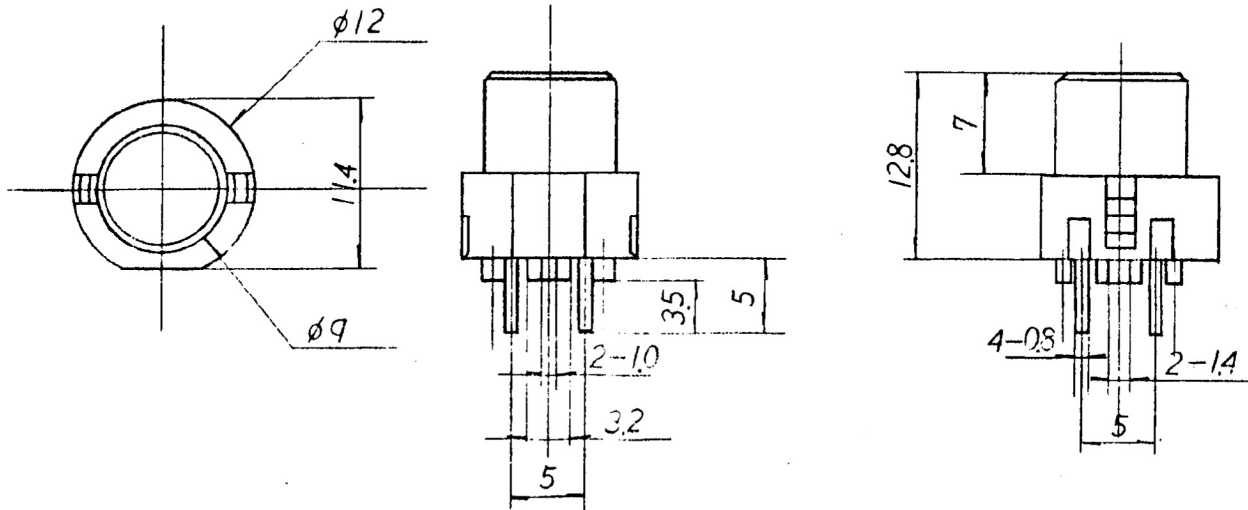


Keyboard switches

Order code	Manufacturer code	Description
78-0151	n/a	D6 ROUND WHITE KEYBOARD SWITCH (RC)
78-0165	n/a	D6 ROUND YELLOW KEYBD. SWITCH (RC)
78-0170	n/a	D6 ROUND BLUE KEYBOARD SWITCH (RC)
78-0175	n/a	D6 ROUND GREY KEYBOARD SWITCH (RC)
78-0150	n/a	D6 ROUND BLACK KEYBOARD SWITCH (RC)
78-0155	n/a	D6 ROUND GREEN KEYBOARD SWITCH (RC)
78-0160	n/a	D6 ROUND RED KEYBOARD SWITCH (RC)

Keyboard switches	Page 1 of 2
The enclosed information is believed to be correct, Information may change 'without notice' due to product improvement. Users should ensure that the product is suitable for their use. E. & O. E.	Revision A 04/07/2003

SPECIFICATIONS			
Measurement	Range	Measurement	Range
Contact Resistance	$\leq 20M$ OHM	Life	500,000 Cycles
Breaking Capacity	10mA / 35VDC	Temperature Range	-20°C to +65°C
Insulation Resistance	100,000M OHM	Solder Ability	235°C during 5secs
Dielectric Strength	500 V	Operating	1.3N (130gr) \pm 30%
Inter-terminal Capacity	1pF	Travel	0.8mm



NOTE:-

- 1) UNIT : mm
- 2) TOLERANCES UNLESS OTHERWISE SPECIFIED : ± 0.3 mm
- 3) COLOUR : Black
Yellow
Green
Red
Blue
Grey
White